

- MATERIAL SPECIFICATIONS:**
- 1. ALL STEEL PARTS SHALL BE GALVANNEAL
  - 2. ALL STEEL PARTS SHALL BE GALVANNEAL
  - 3. ALL STEEL PARTS SHALL BE GALVANNEAL
  - 4. ALL STEEL PARTS SHALL BE GALVANNEAL
  - 5. ALL STEEL PARTS SHALL BE GALVANNEAL
  - 6. ALL STEEL PARTS SHALL BE GALVANNEAL
  - 7. ALL STEEL PARTS SHALL BE GALVANNEAL
  - 8. ALL STEEL PARTS SHALL BE GALVANNEAL
  - 9. ALL STEEL PARTS SHALL BE GALVANNEAL
  - 10. ALL STEEL PARTS SHALL BE GALVANNEAL

L. B. FOSTER COMPANY  
 415 HOLIDAY DRIVE  
 PITTSBURGH, PA. 15220

BRIDGE RAIL SYSTEM FOR:

NEW JERSEY

STYLE:

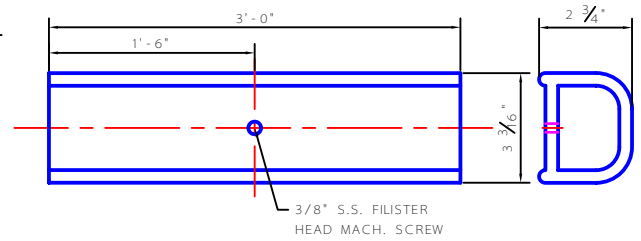
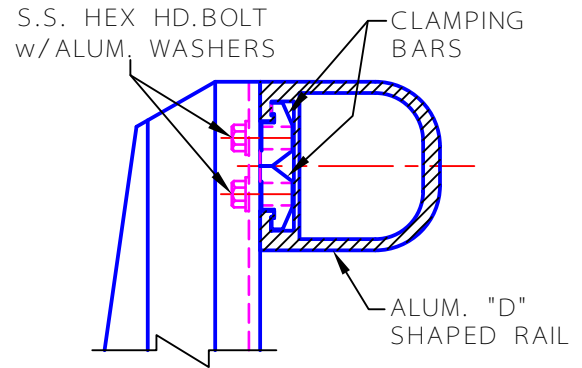
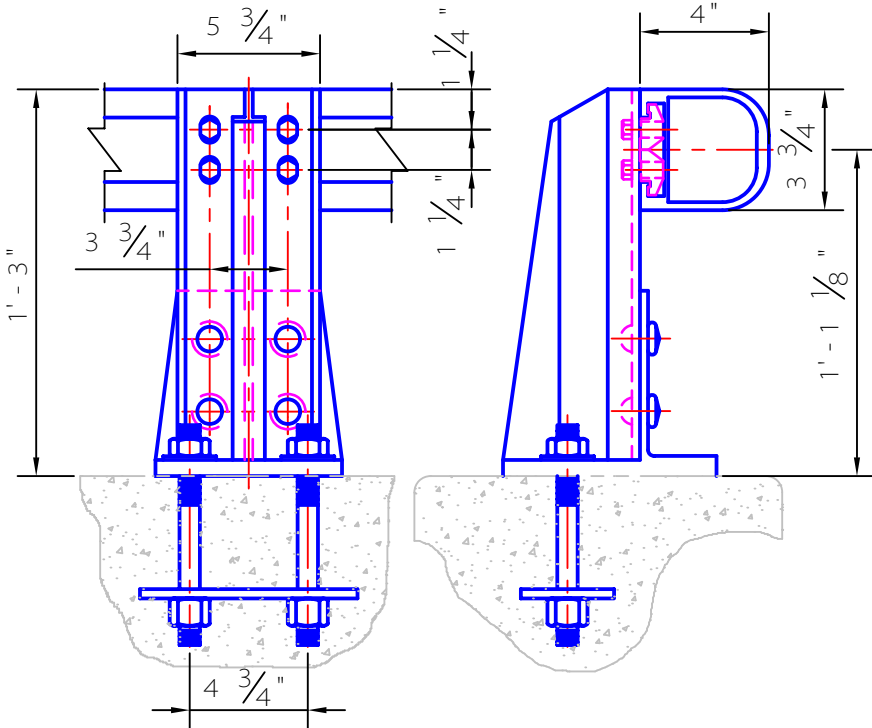
FABRICATED

TYPE:

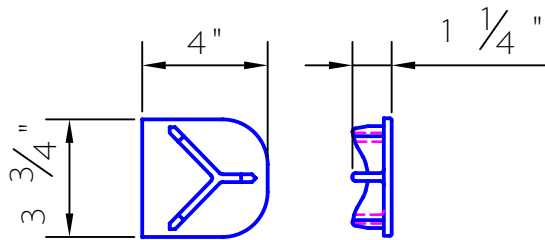
1-LINE

MATERIAL:

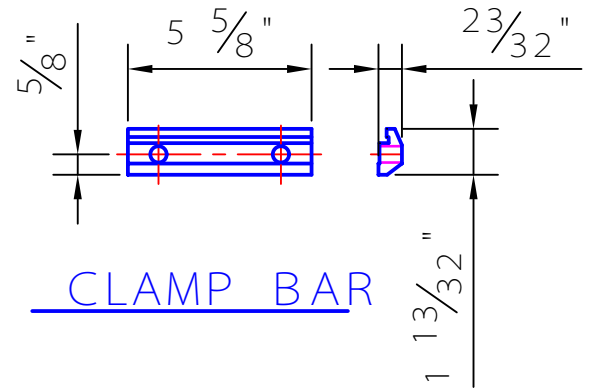
ALUMINUM



RAIL SPLICE



RAIL END CAP



CLAMP BAR

MATERIAL SPECIFICATIONS:

RAILS, POSTS, BASES, SPLICES AND CLAMP BARS:

ALUMINUM A.S.T.M. B221, ALLOY 6061-T6

RIVETS:

ALUMINUM B316, ALLOY 6061-T6, BUTTON HD.,  
 CONE PT.

FILISTER HD. MACH. SCREWS:

A.S.T.M. 193, GR/ 18-8

CLAMP BAR BOLTS:

A.S.T.M. F593, TYPE 304

ALUMINUM WASHERS:

A.S.T.M. B209, 2024-T3

STEEL ANCHOR RODS:

A.S.T.M. A276, TYPE 304 or 430, ANNEALED

ALUMINUM TOP NUTS:

A.S.T.M. B211, 6061-T6

STEEL HEX NUTS:

A.S.T.M. A563, GRADE C or BETTER

ALUMINUM END CAPS:

A.S.T.M. B26, 356-F

S.S. ANCHOR ROD  
 w/ALUM. WASHER &  
 ALUM. HEAVY HEX NUT

ALUM. POST

3/4"Ø ALUM.  
 RIVETS

ALUM. BASE

