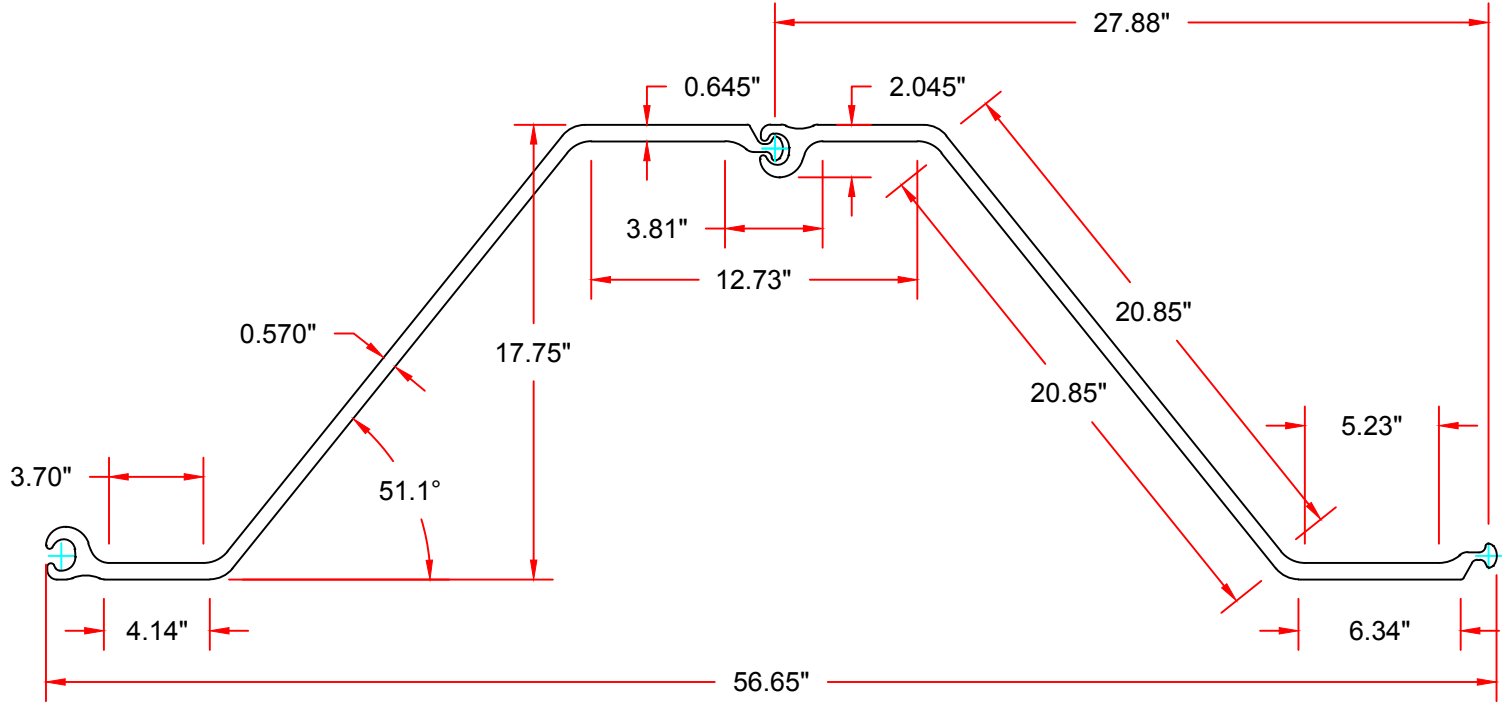
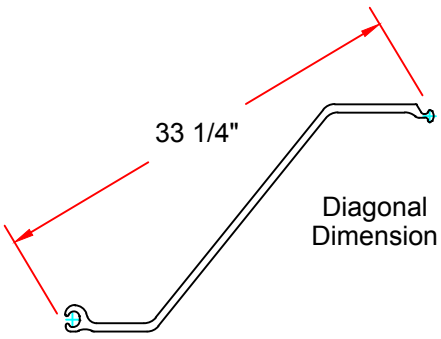


PZC 28

ASTM A572 Grade 60

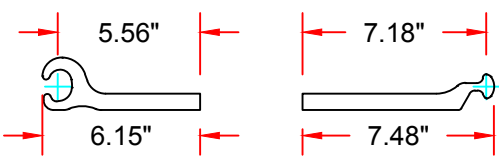


| Sheet Pile Section Properties | | | | | | | | | | |
|-------------------------------|-------------------------|-------------------------|-------------------|-----------------|--------------------------------------|-------------------------|------------------------------------|-------------------------|-------------------------------------|------------------------|
| Nominal Width (in) | Area (in ²) | | Weight (lbs) | | Moment of Inertia (in ⁴) | | Section Modulus (in ³) | | Surface Area (ft ² / ft) | |
| | Single Section | Per Linear Foot of Wall | Per Foot of Sheet | Per Square Foot | Single Section | Per Linear Foot of Wall | Single Section | Per Linear Foot of Wall | Total Area | Nominal Coating Area * |
| 27.88 | 23.22 | 10.00 | 79.0 | 34.0 | 1057.0 | 455.1 | 119.1 | 51.3 | 6.65 | 6.15 |

| |
|---------------------------------|
| Bending Moment Capacity |
| 20% Increase Over A572 Grade 50 |

* Excludes socket interior & ball of interlock.

Also Available In: ASTM A572 Grade 50 A588 and A690.



Flange Dimensions

| | | | |
|--|------------|--|--|
| LB Foster | | PILING DIVISION L.B. FOSTER COMPANY PITTSBURGH, PA 15220 | |
| TITLE SHEET PILING DIMENSIONS & PROPERTIES | | | |
| PROJECT PZC28 STEEL SHEET PILE | | | |
| CUSTOMER | N/A | FILE | X:\PIL\Engr\Design Manual\Sheet Pile\# |
| PROJ # | 11-052 | SO# | N/A |
| DRAWN | TWT | DATE | 07/29/11 |
| CHK'D | | SCALE | 1-1/2"=1'0" |
| SP-DC28 | | 1 | |
| DWG # | SHT 1 of 1 | REVISION | |

| | | |
|------|----------|--------------------------------|
| REV. | DATE | DESCRIPTION |
| R1 | 04/09/19 | Revised Material Grades. |
| R0 | 08/01/11 | Issued for Review and Comment. |