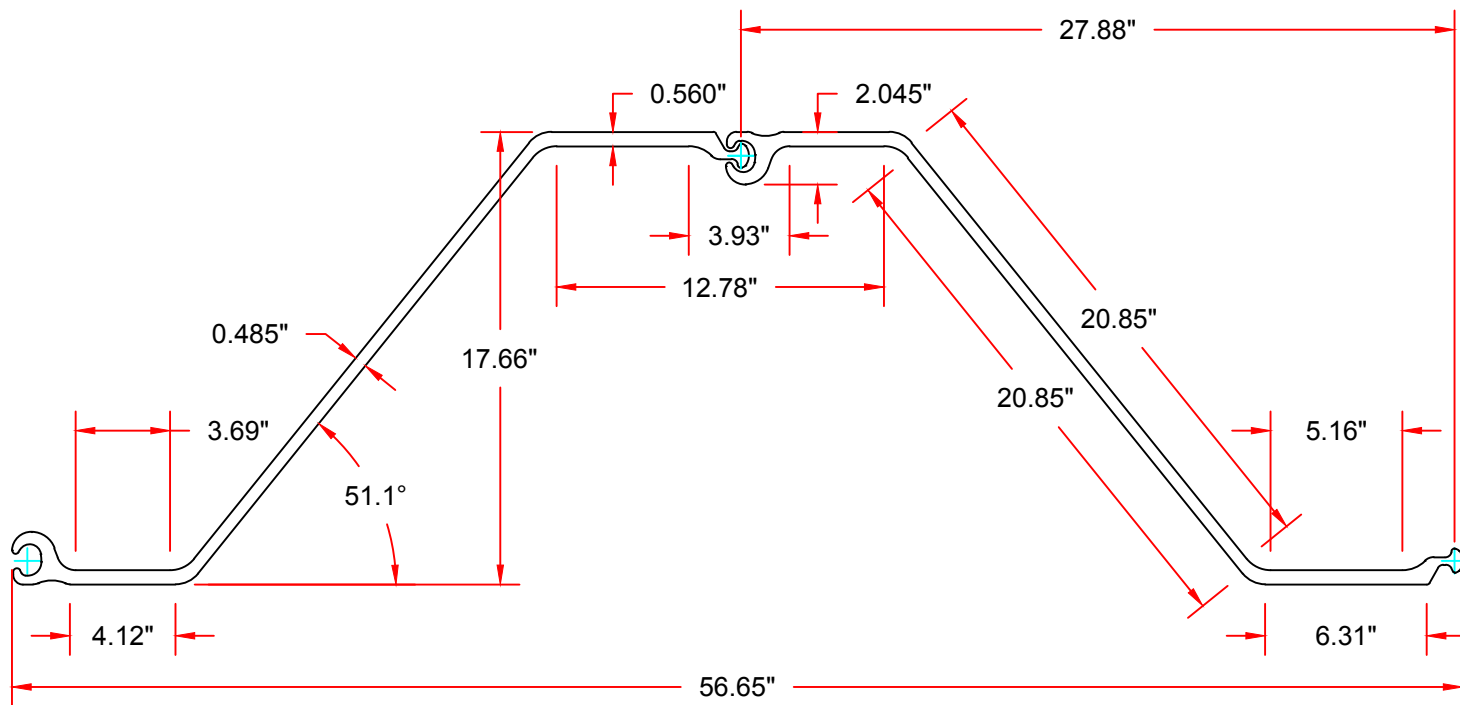
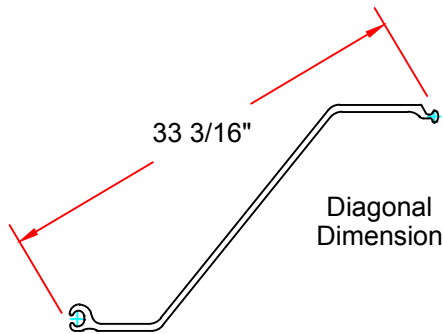


# PZC 25

## ASTM A572 Grade 60



Sheet Pile Section Properties

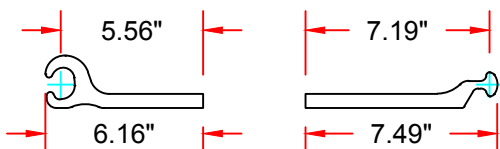
Nominal Width (in)	Area (in <sup>2</sup> )		Weight (lbs)		Moment of Inertia (in <sup>4</sup> )		Section Modulus (in <sup>3</sup> )		Surface Area (ft <sup>2</sup> / ft)	
	Single Section	Per Linear Foot of Wall	Per Foot of Sheet	Per Square Foot	Single Section	Per Linear Foot of Wall	Single Section	Per Linear Foot of Wall	Total Area	Nominal Coating Area *
27.88	20.40	8.78	69.4	29.9	938.7	404.1	106.3	45.7	6.65	6.15

Bending Moment Capacity

20% Increase Over A572 Grade 50

\* Excludes socket interior & ball of interlock.

Also Available In: ASTM A572 Grade 50 A588 and A690.



Flange Dimensions

# LB Foster

PILING DIVISION  
L.B. FOSTER COMPANY  
PITTSBURGH, PA 15220

TITLE SHEET PILING DIMENSIONS & PROPERTIES

PROJECT PZC25 STEEL SHEET PILE

CUSTOMER	N/A	FILE	X:\PIL\Engr\Design Manual\Sheet Pile\#
PROJ #	11-052	SO#	N/A
DRAWN	TWT	DATE	07/29/11
CHK'D		SCALE	1-1/2"=1'0"
SP-DC25		1	
DWG #	SHT 1 of 1	REVISION	

REV.	DATE	DESCRIPTION
R1	04/09/19	Revised Material Grades.
R0	08/01/11	Issued for Review and Comment.