

MATERIAL SPECIFICATIONS:

TOP RAIL, BOTTOM RAIL, POST, POST CAP,
TOP RAIL SEAT, BOTTOM RAIL SEAT, &
ARCHITECTURAL FEATURES:

ALUMINUM B221, ALLOY 6061-T6

BALUSTERS:

ALUMINUM B221, ALLOY 6061-T4

POST BASE:

ALUMINUM B108, ALLOY A356-T6 or
B26, 356-F

ALUMINUM BOLTS:

A.S.T.M. B211, 2024-T6 w/204 ALUMINITE

ALUMINUM WASHERS:

A.S.T.M. B209, ALCLAD

ALUMINUM NUTS:

A.S.T.M. B211, 6061-T6

ALUMINUM END PLATE:

A.S.T.M. B209, 6061-T6

STEEL ANCHOR BENT RODS:

A.S.T.M. A36. GALV. PER A153

STEEL HEX NUTS:

A.S.T.M. A563, GRADE A, GALV. PER
A153

STEEL WASHERS:

A.S.T.M. F436, GALV. PER A153

L. B. FOSTER COMPANY
415 HOLIDAY DRIVE
PITTSBURGH, PA. 15220

BRIDGE RAIL SYSTEM FOR:

PENNSYLVANIA

STYLE:

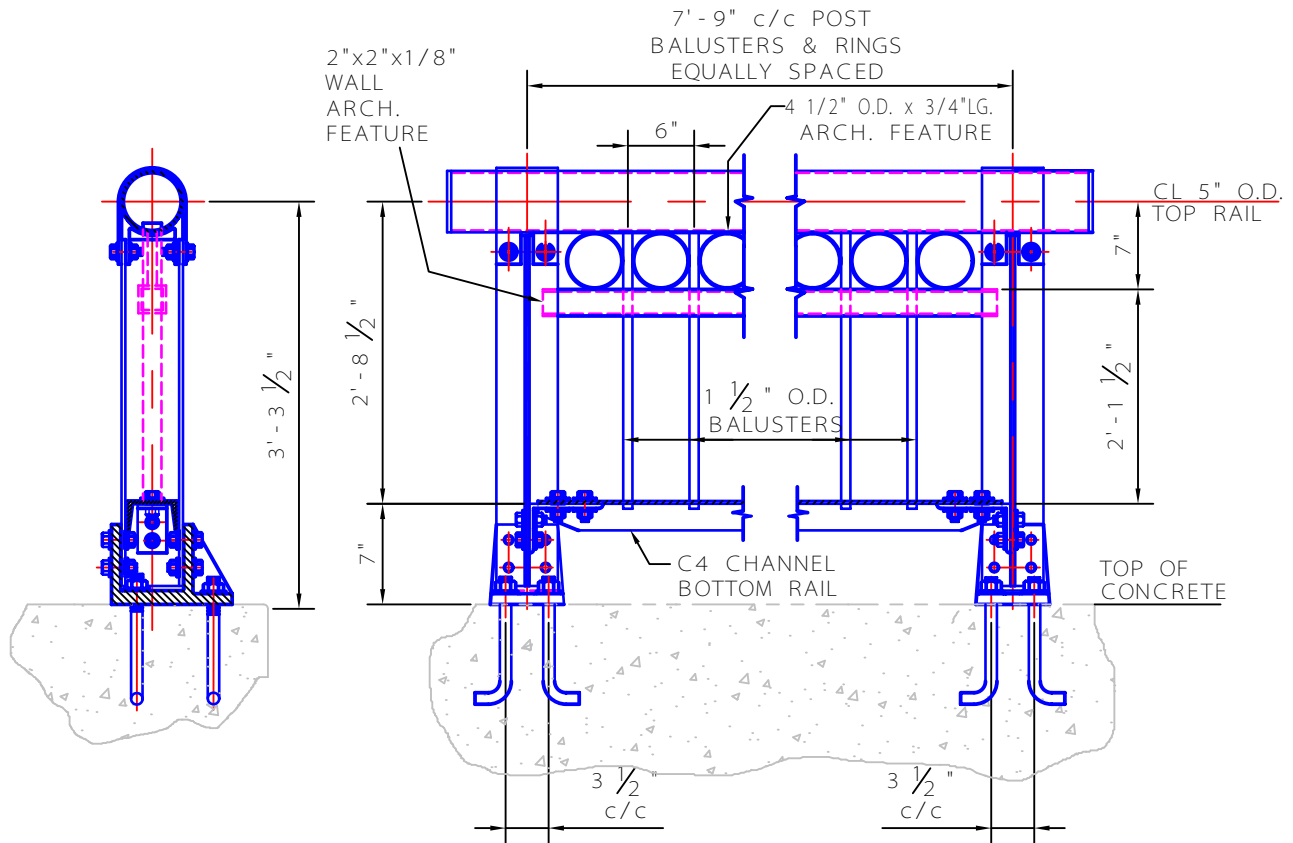
FABRICATED

TYPE:

PED. w/ARCH. RINGS

MATERIAL:

ALUMINUM



MATERIAL SPECIFICATIONS:

TOP RAIL, BOTTOM RAIL, POST, POST CAP,
TOP RAIL SEAT, BOTTOM RAIL SEAT, &
ARCHITECTURAL FEATURES:

ALUMINUM B221, ALLOY 6061-T6

BALUSTERS:

ALUMINUM B221, ALLOY 6061-T4

POST BASE:

ALUMINUM B108, ALLOY A356-T6 or

B26, 356-F

ALUMINUM BOLTS:

A.S.T.M. B211, 2024-T6 w/204 ALUMINITE

ALUMINUM WASHERS:

A.S.T.M. B209, ALCLAD

ALUMINUM NUTS:

A.S.T.M. B211, 6061-T6

ALUMINUM END PLATE:

A.S.T.M. B209, 6061-T6

STEEL ANCHOR BENT RODS:

A.S.T.M. A36, GALV. PER A153

STEEL HEX NUTS:

A.S.T.M. A563, GRADE A, GALV. PER

A153

STEEL WASHERS:

A.S.T.M. F436, GALV. PER A153

