

L. B. FOSTER COMPANY
415 HOLIDAY DRIVE
PITTSBURGH, PA. 15220

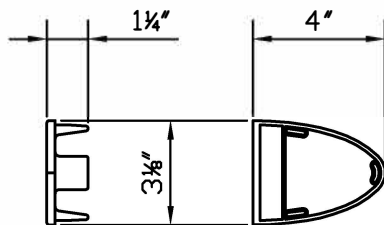
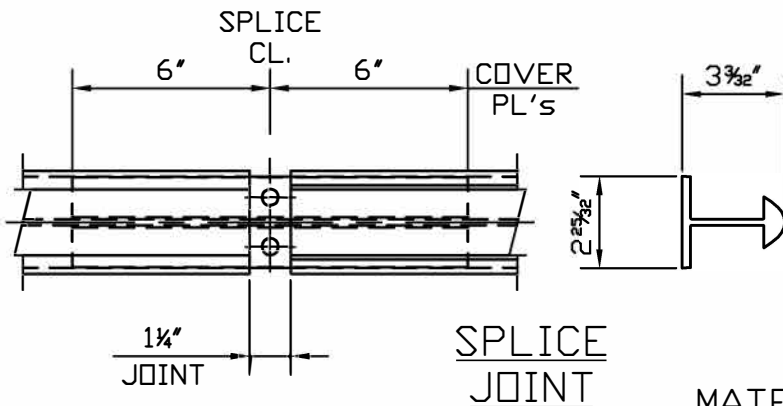
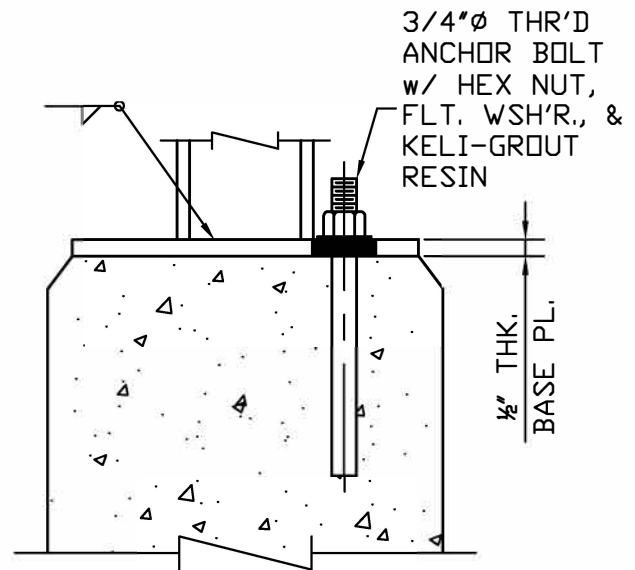
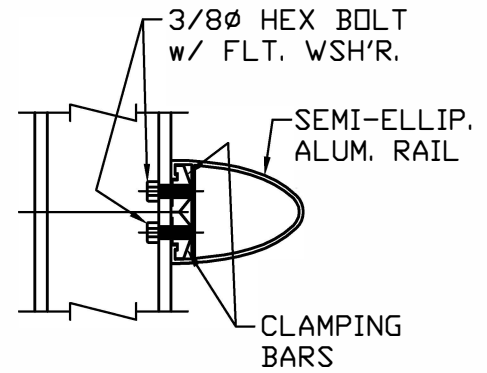
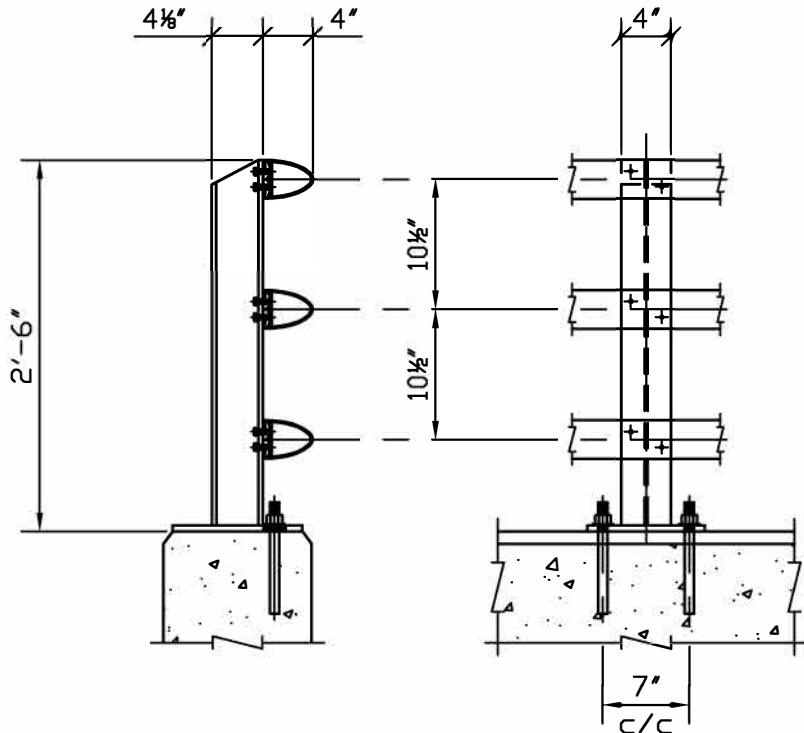
BRIDGE RAIL SYSTEM FOR:

WEST VIRGINIA

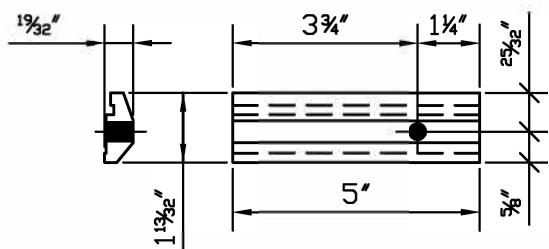
STYLE: **FABRICATED**

TYPE: **3-LINE**

MATERIAL: **ALUMINUM**



RAIL CAP



CLAMP BAR

MATERIAL SPECIFICATIONS:

POST: FABRICATED ALUMINUM A.S.T.M. B221, ALLOY 6061-T6.

RAIL: EXTRUDED ALUMINUM A.S.T.M. B221, ALLOY 6061-T6.

RAIL SPLICE & CLAMP BAR: ALUMINUM A.S.T.M. B221, ALLOY 6061-T6.

END CAP: CAST ALUMINUM A.S.T.M. B26, ALLOY 356-F.

RAIL HARDWARE: (2) 3/8"Ø HEX HEAD CAP SCREW, STAINLESS STEEL A.S.T.M. F593, ALLOY TYPE 304. (2) 7/8"Ø.D. x 13/32" I.D. x .062" THICK ALUMINUM FLAT WASHERS, A.S.T.M. B209, ALCLAD 2024-T4.

ANCHOR HARDWARE: (4) 3/4"Ø FULLY THREADED ROD, A.S.T.M. A36, GALVANIZED PER A153. (4) HEX NUT, A.S.T.M. A563, GALVANIZED PER A153. (4) FLAT WASHER, A.S.T.M. F436, GALVANIZED PER A153.