

L. B. FOSTER COMPANY
 415 HOLIDAY DRIVE
 PITTSBURGH, PA. 15220

BRIDGE RAIL SYSTEM FOR:

VIRGINIA

STYLE:

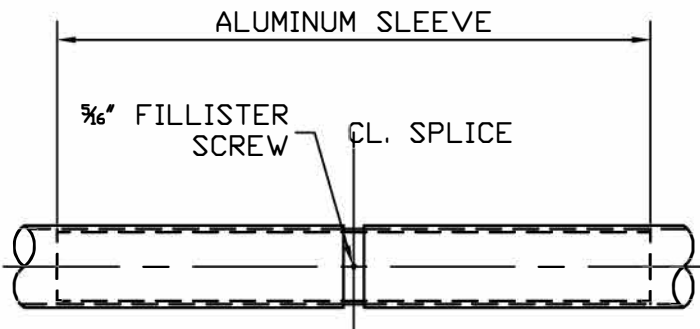
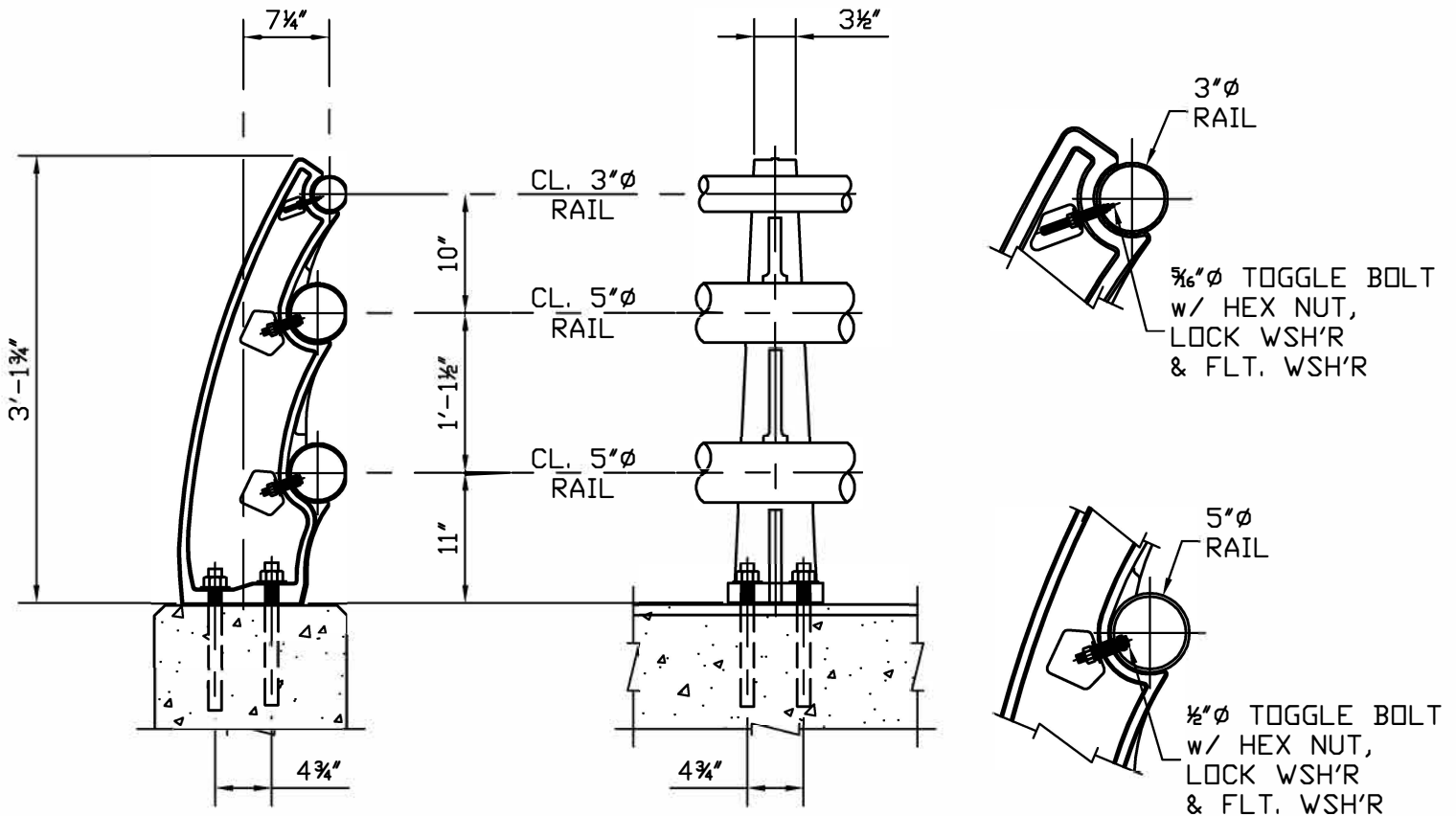
CAST

TYPE:

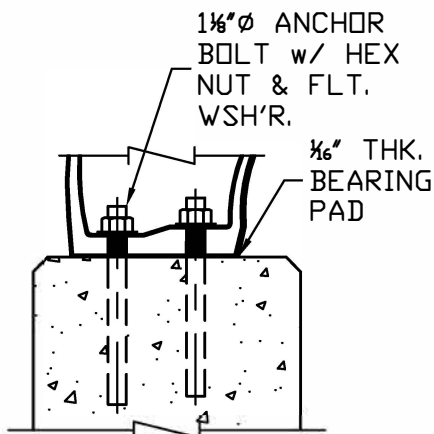
3-LINE

MATERIAL:

ALUMINUM



RAIL SPLICE



MATERIAL SPECIFICATIONS:

POST: ALUMINUM CAST PER AASHTO M193.

RAIL: EXTRUDED ALUMINUM A.S.T.M. B221, ALLOY 6061-T6 OR 6351-T5.

RAIL SPLICE: ALUMINUM A.S.T.M. B221, ALLOY 6061-T6 OR 6351-T5.

END CAP PLATE: ALUMINUM A.S.T.M. B209, ALLOY 6061-T6.

RAIL HARDWARE: TOGGLE BOLT A.S.T.M. A322. FLAT WASHERS A.S.T.M. A569. NUT A.S.T.M. A311.

ANCHOR HARDWARE: THREADED ROD, A.S.T.M. M314, GR. 55. HEX NUT, A.S.T.M. A563 GR. DH, GALVANIZED PER A153. FLAT WASHER, A.S.T.M. F436, GALVANIZED PER A153.