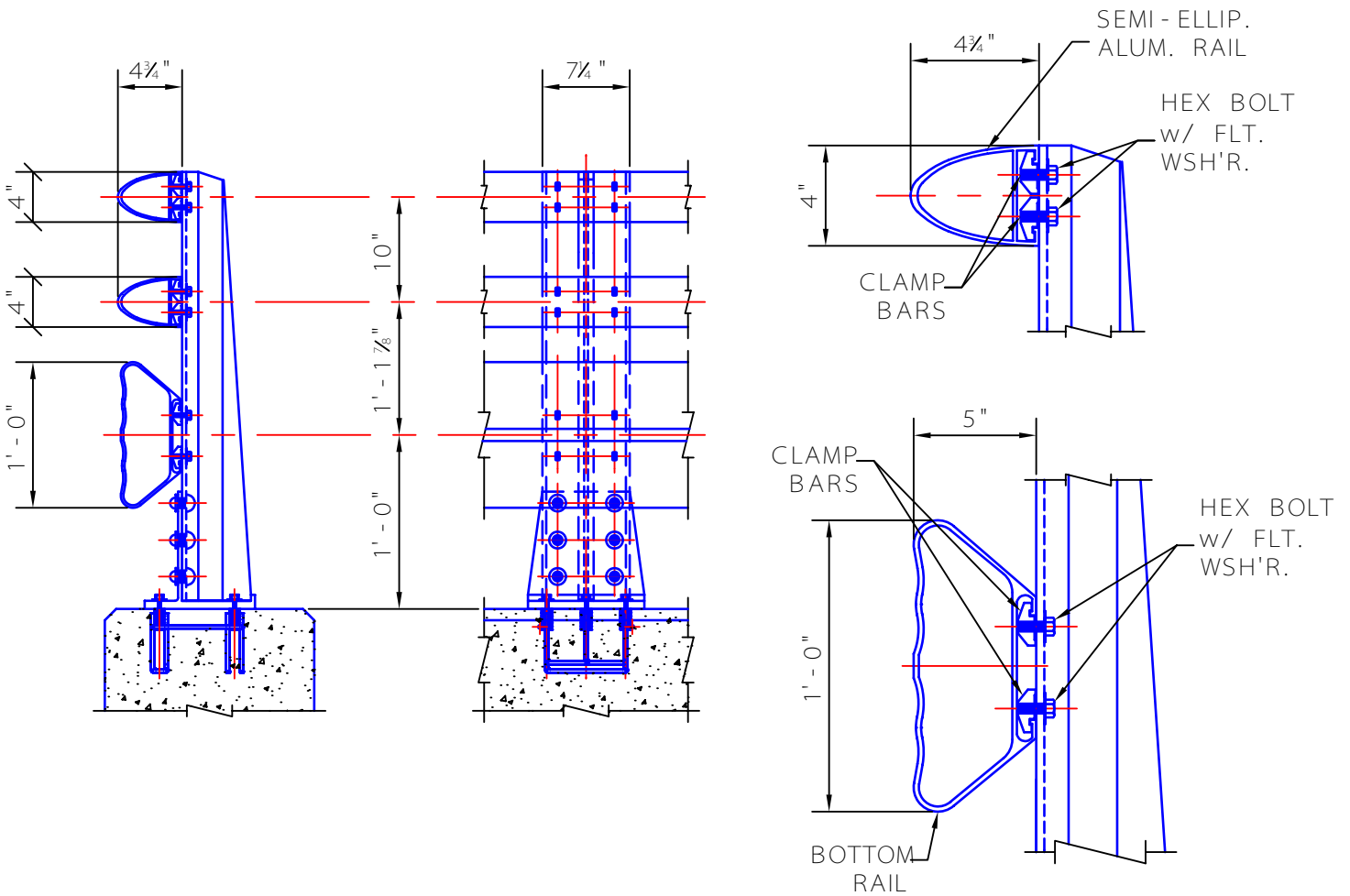


- MATERIAL SPECIFICATIONS:**
- POST BASE: ALUMINUM A.S.T.M. B221, ALLOY 6061-T6
 - ALUMINUM RIVETS: A.S.T.M. B316, ALLOY 6061-T6
 - RAIL & SPINDLES: EXTRUDED ALUMINUM A.S.T.M. B221, ALLOY 6061-T6
 - RAIL HARDWARE: BOLT A.S.T.M. F593 TYPE 304, FLAT WASHERS A.S.T.M. F844, GALVANIZE PER A153
 - ANCHOR HARDWARE: ANCHOR BOLT A.S.T.M. A307, GALVANIZE PER A153, FLAT WASHER A.S.T.M. F844, GALVANIZE PER A153, FERRULES A.S.T.M. A108, GALVANIZE PER A123, WIRE STRUT A.S.T.M. A510, GALVANIZE PER A123.

L. B. FOSTER COMPANY
 415 HOLIDAY DRIVE
 PITTSBURGH, PA. 15220

BRIDGE RAIL SYSTEM FOR:
NORTH CAROLINA

STYLE:	FABRICATED
TYPE:	3-LINE
MATERIAL:	ALUMINUM



MATERIAL SPECIFICATIONS:

POST, BASE: ALUMINUM A.S.T.M. B221, ALLOY 6061-T6.

ALUMINUM RIVETS: A.S.T.M. B316, ALLOY 6061-T6.

RAIL & SPLICES: EXTRUDED ALUMINUM A.S.T.M. B221, ALLOY 6061-T6.

RAIL HARDWARE: BOLT A.S.T.M. F593 TYPE 304. FLAT WASHERS A.S.T.M. F844, GALVANIZE PER A153.

ANCHOR HARDWARE: ANCHOR BOLT A.S.T.M. A307, GALVANIZE PER A153. FLAT WASHER A.S.T.M. F844, GALVANIZE PER A153. FERRULES A.S.T.M. A108, GALVANIZE PER A123. WIRE STRUT A.S.T.M. A510, GALVANIZE PER A123.

