

RAIL SPLICE

- MATERIAL SPECIFICATIONS:**
- 1. 1/2" x 1/2" x 1/2" ALUM. HEAVY GDT
 - 2. 1/2" x 1/2" x 1/2" ALUM. HEAVY GDT
 - 3. 1/2" x 1/2" x 1/2" ALUM. HEAVY GDT
 - 4. 1/2" x 1/2" x 1/2" ALUM. HEAVY GDT
 - 5. 1/2" x 1/2" x 1/2" ALUM. HEAVY GDT
 - 6. 1/2" x 1/2" x 1/2" ALUM. HEAVY GDT
 - 7. 1/2" x 1/2" x 1/2" ALUM. HEAVY GDT
 - 8. 1/2" x 1/2" x 1/2" ALUM. HEAVY GDT
 - 9. 1/2" x 1/2" x 1/2" ALUM. HEAVY GDT
 - 10. 1/2" x 1/2" x 1/2" ALUM. HEAVY GDT
 - 11. 1/2" x 1/2" x 1/2" ALUM. HEAVY GDT
 - 12. 1/2" x 1/2" x 1/2" ALUM. HEAVY GDT
 - 13. 1/2" x 1/2" x 1/2" ALUM. HEAVY GDT
 - 14. 1/2" x 1/2" x 1/2" ALUM. HEAVY GDT
 - 15. 1/2" x 1/2" x 1/2" ALUM. HEAVY GDT
 - 16. 1/2" x 1/2" x 1/2" ALUM. HEAVY GDT
 - 17. 1/2" x 1/2" x 1/2" ALUM. HEAVY GDT
 - 18. 1/2" x 1/2" x 1/2" ALUM. HEAVY GDT
 - 19. 1/2" x 1/2" x 1/2" ALUM. HEAVY GDT
 - 20. 1/2" x 1/2" x 1/2" ALUM. HEAVY GDT

L. B. FOSTER COMPANY
 415 HOLIDAY DRIVE
 PITTSBURGH, PA. 15220

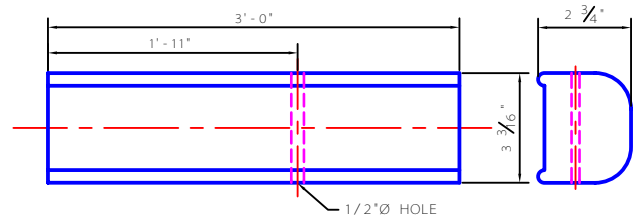
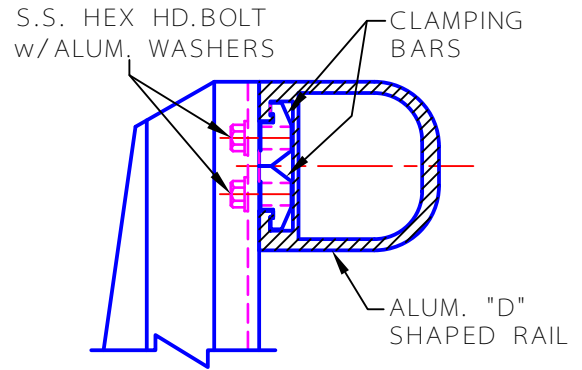
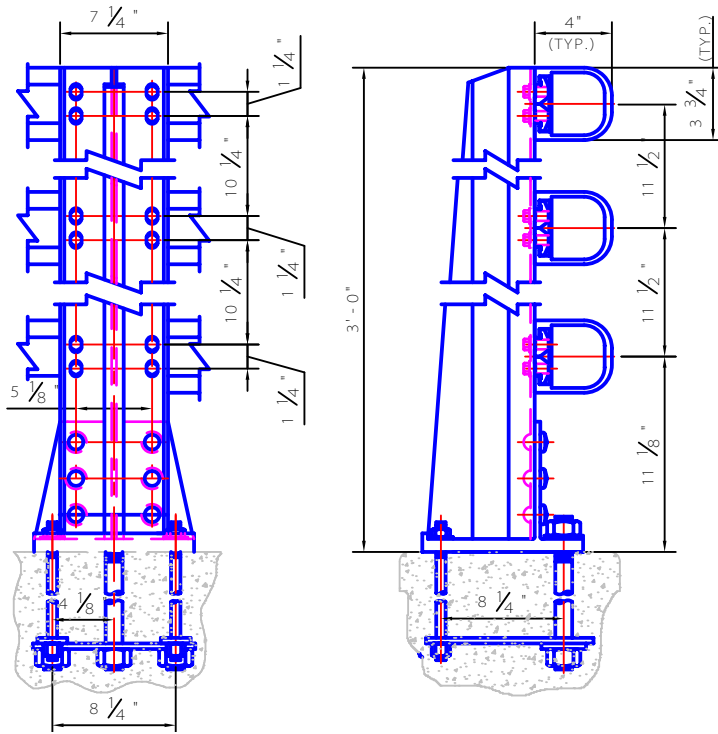
BRIDGE RAIL SYSTEM FOR:

NEW JERSEY

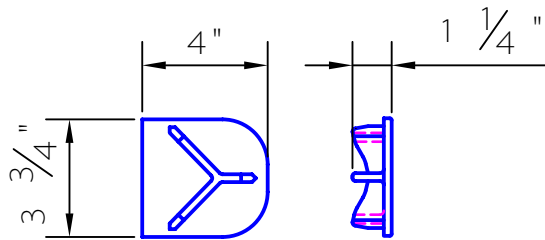
STYLE: FABRICATED

TYPE: 3-LINE

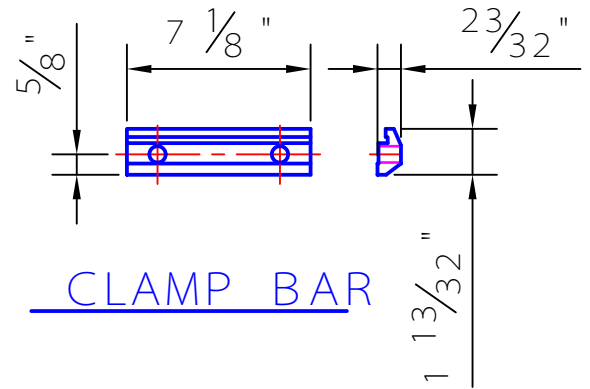
MATERIAL: ALUMINUM



RAIL SPLICE



RAIL END CAP



CLAMP BAR

MATERIAL SPECIFICATIONS:

RAILS, POSTS, BASES, SPLICES AND CLAMP BARS:

ALUMINUM A.S.T.M. B221, ALLOY 6061-T6

RIVETS:

ALUMINUM B316, ALLOY 6061-T6, BUTTON HD.,
 CONE PT.

CLAMP BAR BOLTS:

A.S.T.M. F593, TYPE 304

ALUMINUM WASHERS:

A.S.T.M. B209, 2024-T3

TOP ANCHOR STUDS:

A.S.T.M. A276, TYPE 304 or 430, ANNEALED

BOTTOM ANCHOR RODS:

A.S.T.M. A36

ALUMINUM TOP NUTS:

A.S.T.M. B211, 6061-T6

STEEL HEX NUTS:

A.S.T.M. A563, GRADE C or BETTER

ALUMINUM END CAPS:

A.S.T.M. B26, 356-T6

ANCHOR PLATES & CONNECTOR ANGLES:

A.S.T.M. A36

S.S. ROUND HD. BOLTS:

300 SERIES

ALUMINUM SHIMS:

A.S.T.M. B209, 1100-0

