

L. B. FOSTER COMPANY
415 HOLIDAY DRIVE
PITTSBURGH, PA. 15220

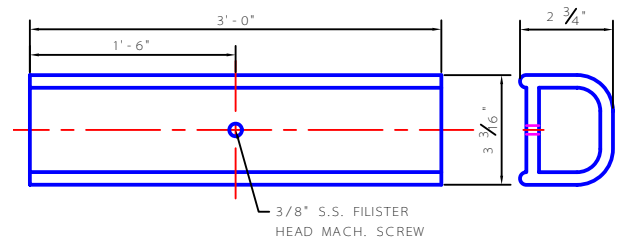
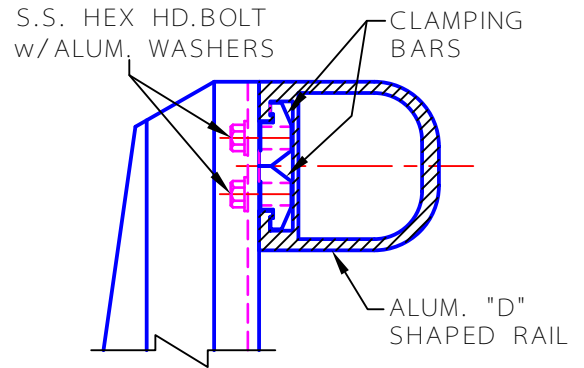
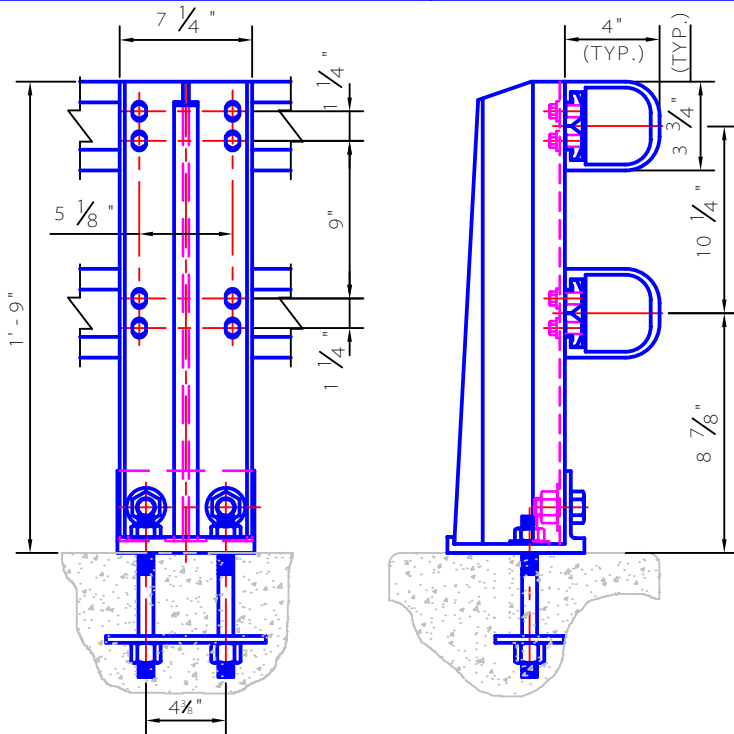
BRIDGE RAIL SYSTEM FOR:

NEW JERSEY

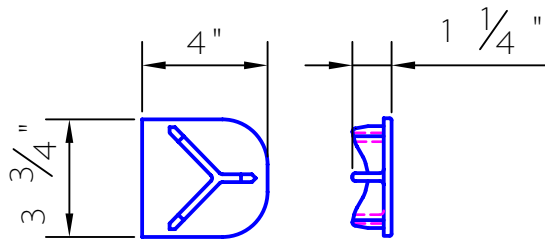
STYLE: FABRICATED

TYPE: 2-LINE

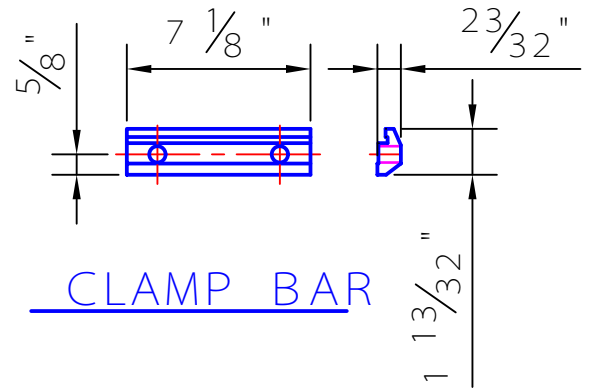
MATERIAL: ALUMINUM



RAIL SPLICE



RAIL END CAP



CLAMP BAR

MATERIAL SPECIFICATIONS:

RAILS, POSTS, BASES, CLAMP BARS & ANGLES:

ALUMINUM A.S.T.M. B221, ALLOY 6061-T6

CLAMP BAR BOLTS:

A.S.T.M. F593, TYPE 304

S.S. HEX HD. BOLTS:

A.S.T.M. A193, TYPE 304

S.S. HEX NUTS:

A.S.T.M. A276, TYPE 304

S.S. FLATWASHER:

A.S.T.M. A276, TYPE 304

ALUMINUM WASHERS:

A.S.T.M. B209, 2024-T3

S.S. ANCHOR RODS & BOLTS:

A.S.T.M. A276, TYPE 304 or 430

ANNEALED

STL. HEX NUTS:

A.S.T.M. F563, GR. C or BETTER

ANCHOR PLATES:

A.S.T.M. A36

ALUMINUM END CAPS:

A.S.T.M. B26, 356-T6

ALUMINUM SHIMS:

A.S.T.M. B209, ALLOY 1100-0

