

# CLAMP BARS

L. B. FOSTER COMPANY  
415 HOLIDAY DRIVE  
PITTSBURGH, PA. 15220

BRIDGE RAIL SYSTEM FOR:

MARYLAND

STYLE:

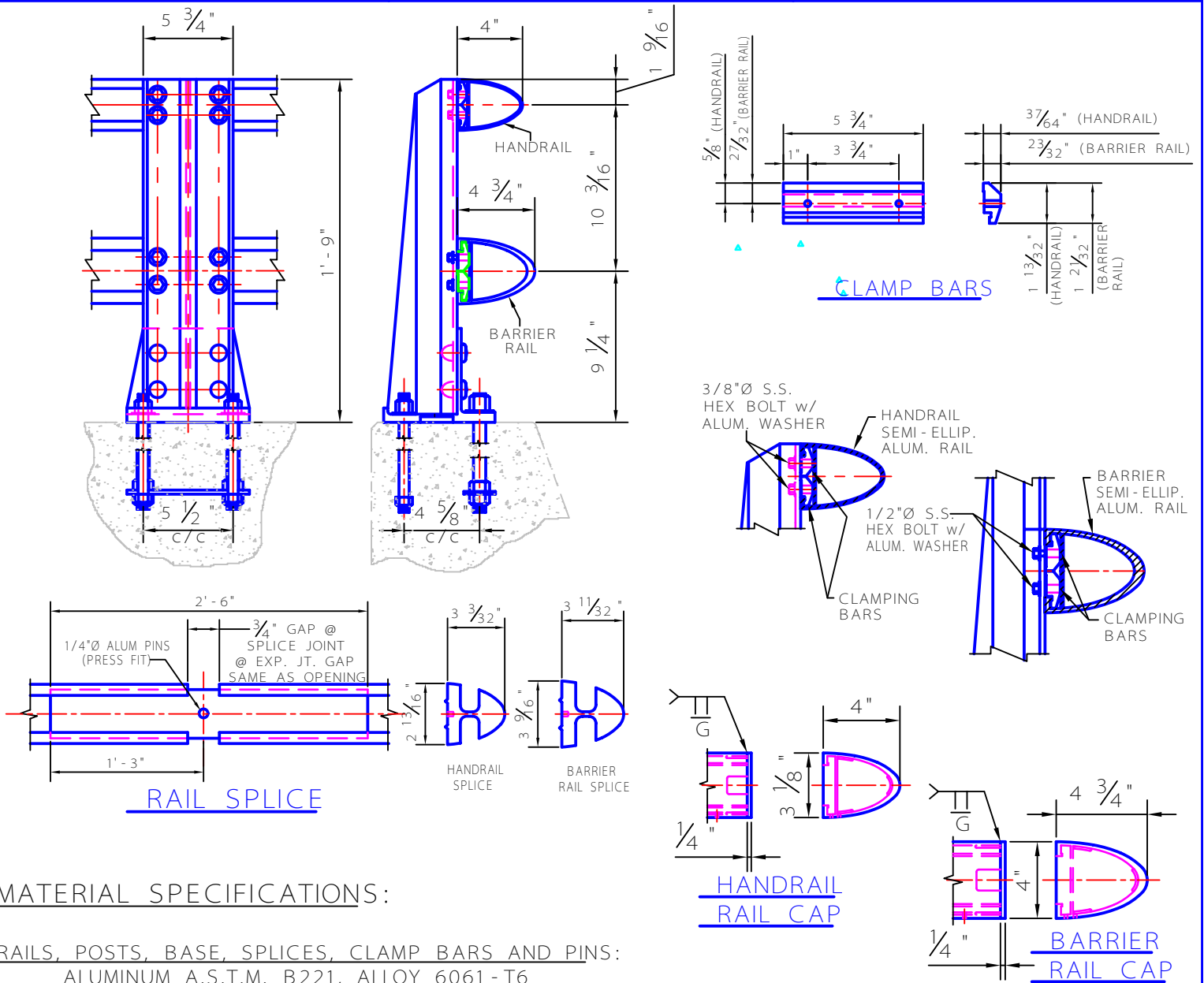
FABRICATED

TYPE:

2-LINE

MATERIAL:

ALUMINUM



**MATERIAL SPECIFICATIONS:**

RAILS, POSTS, BASE, SPLICES, CLAMP BARS AND PINS:

ALUMINUM A.S.T.M. B221, ALLOY 6061-T6

RIVETS:

ALUMINUM B316, ALLOY 6061-T6, BUTTON HD.,  
CONE PT.

CLAMP BAR BOLTS:

A.S.T.M. A193, TYPE B8

ALUMINUM WASHERS:

A.S.T.M. B209, 6061-T6 or 7075-T6

S.S. ANCHOR RODS:

A.S.T.M. A276, TYPE 304, ANNEALED

ALUMINUM HVY HEX NUTS:

A.S.T.M. B211, 6061-T6 or 6262-T9

STEEL HEX NUTS:

A.S.T.M. A563, GRADE A - PLAIN

STEEL BAR:

A.S.T.M. A36

ALUMINUM END CAPS:

A.S.T.M. B26, 356-F

