

L. B. FOSTER COMPANY  
 415 HOLIDAY DRIVE  
 PITTSBURGH, PA. 15220

BRIDGE RAIL SYSTEM FOR:

FLORIDA

STYLE:

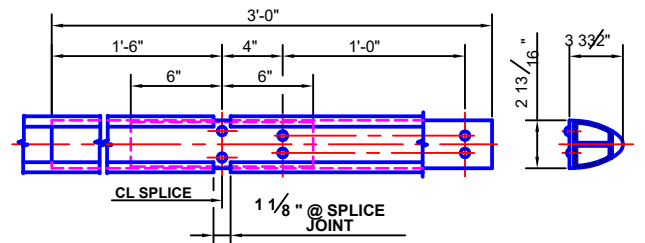
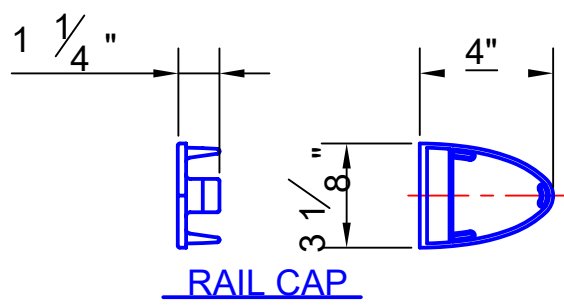
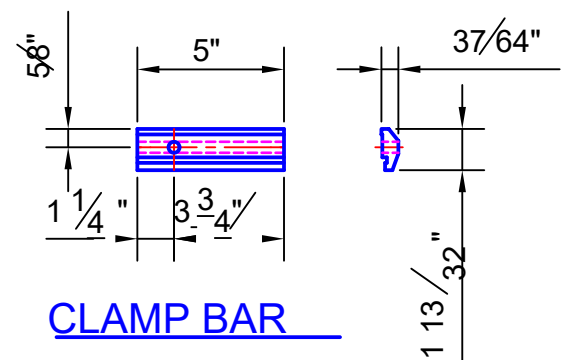
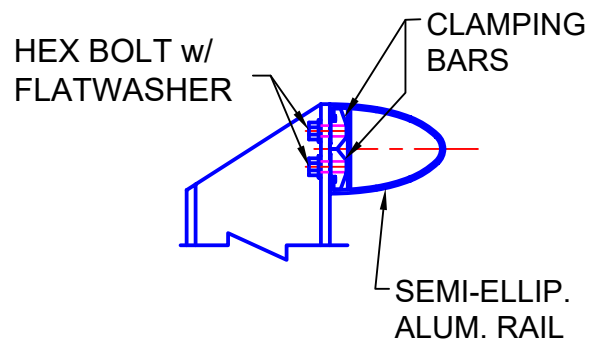
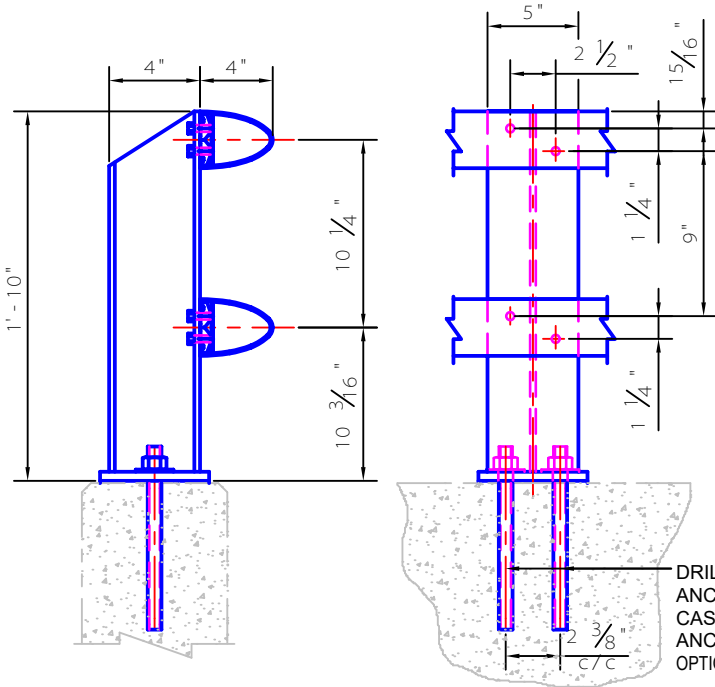
FABRICATED

TYPE:

2-LINE

MATERIAL:

ALUMINUM



SPLICE JOINT

**MATERIAL SPECIFICATIONS:**

RAILS, POSTS, SPLICES, CLAMP BARS & COVER PLATES:

ALUMINUM A.S.T.M. B221, ALLOY 6061-T6 POST BASE PLATES:

ALUMINUM B209, ALLOY 6061-T6 HEX HD. CAP SCREWS:

A.S.T.M. A593, SERIES 300 ALUMINUM WASHERS:

A.S.T.M. B209, 2024-T4 ALCLAD STEEL ANCHOR RODS:

A.S.T.M. A36, GALV. PER A153 STEEL WASHERS:

A.S.T.M. F436, GALV. PER A153 STEEL HEX NUTS:

A.S.T.M. A563, GRADE A, GALV. PER RESILIENT PADS:

PER SECTION 932-2.1

ALUMINUM END CAPS:

A.S.T.M. B26, 356-F

ANCHOR ROD w/ HEX NUT & FLATWASHER

DRILLED-IN KELKEN ANCHORS SHOWN, CAST-IN-PLACE ANCHOR BOLTS ARE OPTIONAL.

