

MATERIAL SPECIFICATIONS:

STEEL PLATES & BARS: STEEL A709 GR.36,
GALVANIZE PER A123

MECHANICALLY GALV. STEEL ANCHOR BOLTS:
A.S.T.M A325, MECHANICALLY GALV. PER
B695

MECHANICALLY GALV. STEEL NUTS:
A.S.T.M. A563, MECHANICALLY GALV. PER
B695, CONFORM TO PUBL. 408, SECT. 1105.02.
LUBRICANT MUST CONTAIN A VISIBLE DYE.

MECHANICALLY GALV. STEEL WASHERS:
A.S.T.M F436, MECHANICALLY GALV. PER B695

STEEL TUBING: API-5LX52, GALV. PER A123

STEEL PIPE: A.S.T.M. A53, GR. B, GALV. PER A123

STNL. STEEL PIN: A.S.T.M. A276. TYPE 304.

L. B. FOSTER COMPANY
 415 HOLIDAY DRIVE
 PITTSBURGH, PA. 15220

BRIDGE RAIL SYSTEM FOR:

TEXAS

STYLE:

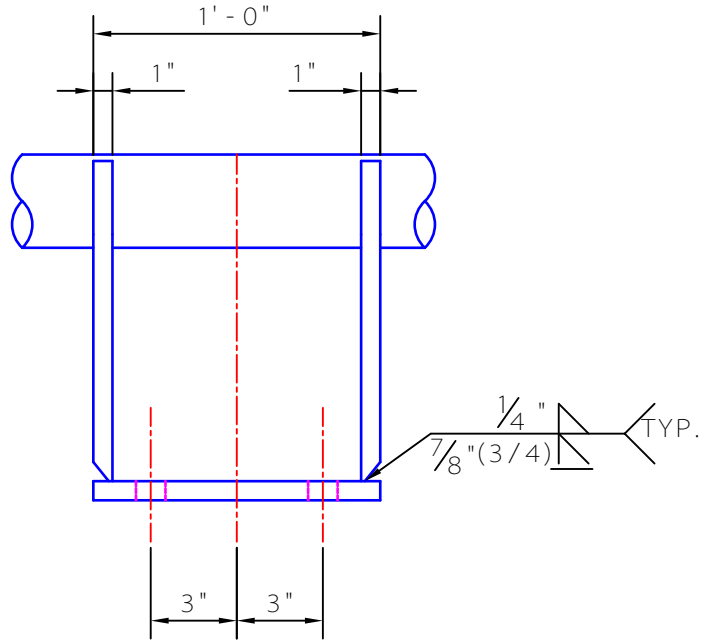
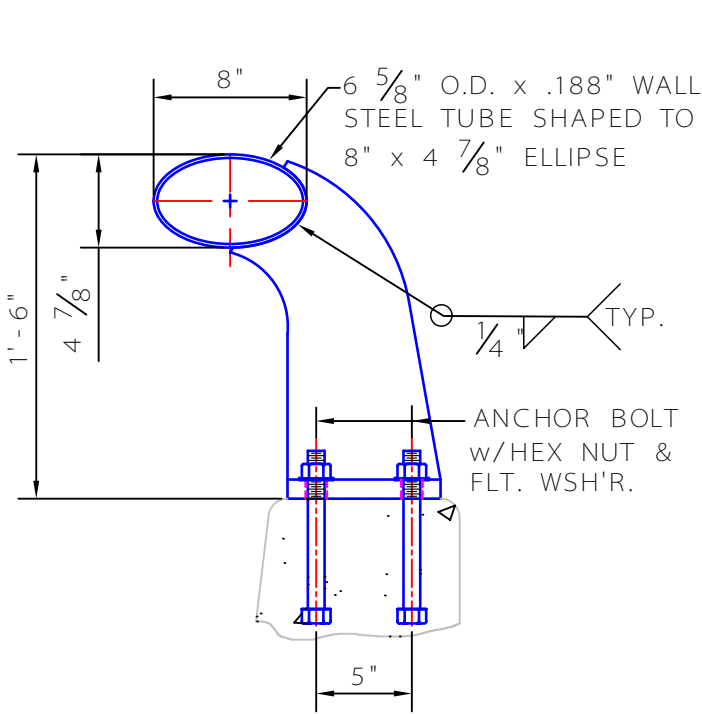
FABRICATED

TYPE:

1-LINE TRUCK RAIL

MATERIAL:

STEEL



MATERIAL SPECIFICATIONS:

STEEL PLATES & BARS: STEEL A709 GR.36, GALVANIZE PER A123

MECHANICALLY GALV. STEEL ANCHOR BOLTS: A.S.T.M A325, MECHANICALLY GALV. PER B695

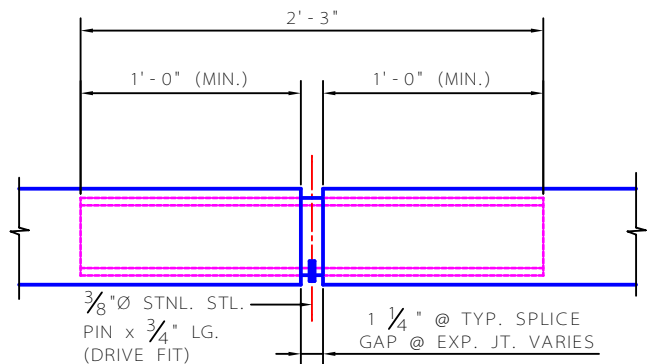
MECHANICALLY GALV. STEEL NUTS: A.S.T.M. A563, MECHANICALLY GALV. PER B695, CONFORM TO PUBL. 408, SECT. 1105.02. LUBRICANT MUST CONTAIN A VISIBLE DYE.

MECHANICALLY GALV. STEEL WASHERS: A.S.T.M F436, MECHANICALLY GALV. PER B695

STEEL TUBING: API-5LX52, GALV. PER A123

STEEL PIPE: A.S.T.M. A53, GR. B, GALV. PER A123

STNL. STEEL PIN: A.S.T.M. A276. TYPE 304.



TYP. RAIL SPLICE