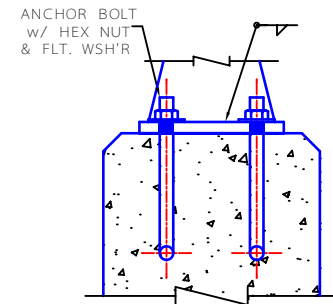
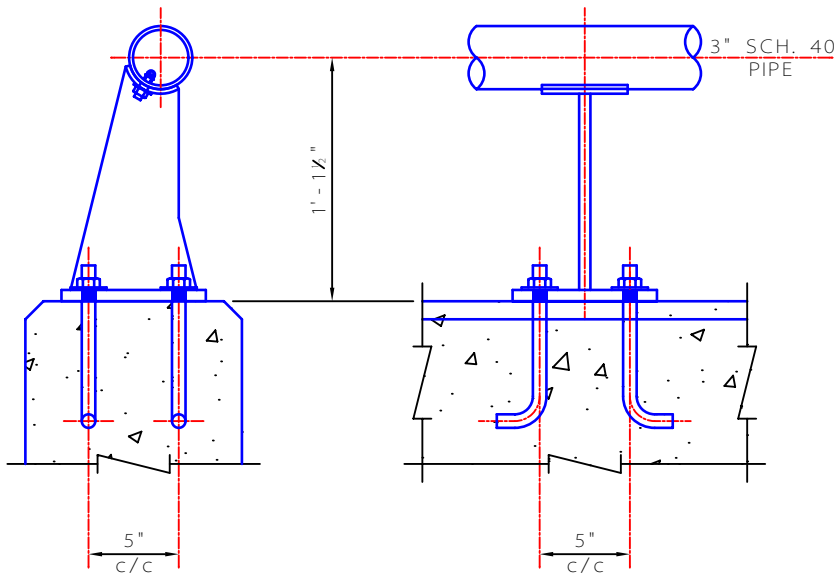


**MATERIAL SPECIFICATIONS:**  
FABRICATED POSTALUMINUM A.S.T.M. B209, ALLOY 6061-T6.  
RAIL & SLEEVES: EXTRUDED ALUMINUM A.S.T.M. B221, ALLOY 6061-T6.  
RAIL HARDWARE: TOGGLE BOLT A.S.T.M. B165, TYPE TS.  
ANCHOR HARDWARE: ANCHOR BOLT, A.S.T.M. A36, GALVANIZE PER A153. HEX NUT, A.S.T.M. A563, GALVANIZE PER A153. FLAT WASHER, A.S.T.M. A436, GALVANIZE PER A153.



L. B. FOSTER COMPANY  
 415 HOLIDAY DRIVE  
 PITTSBURGH, PA. 15220

BRIDGE RAIL SYSTEM FOR:

PENNSYLVANIA

STYLE:

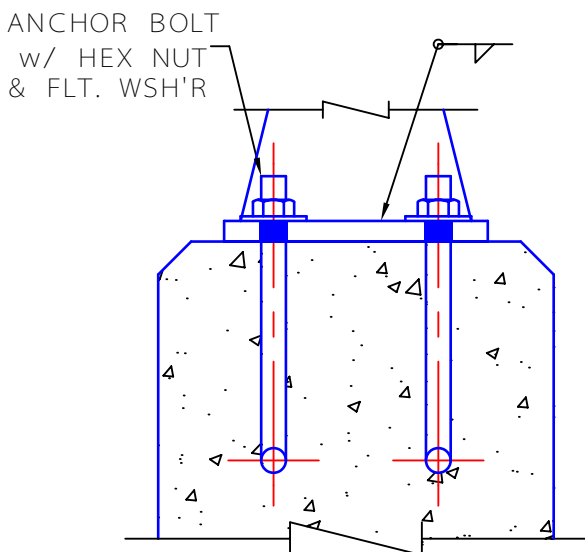
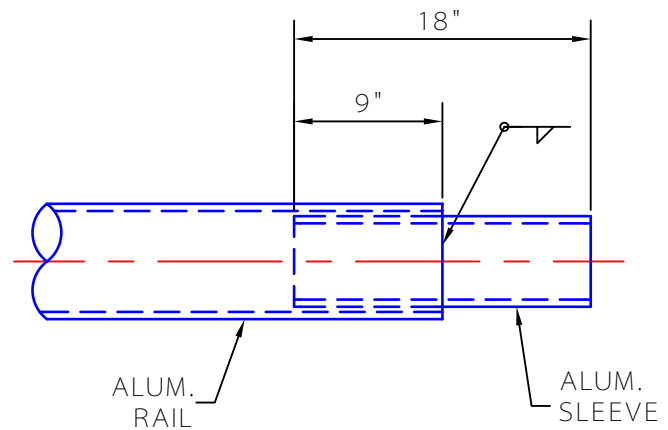
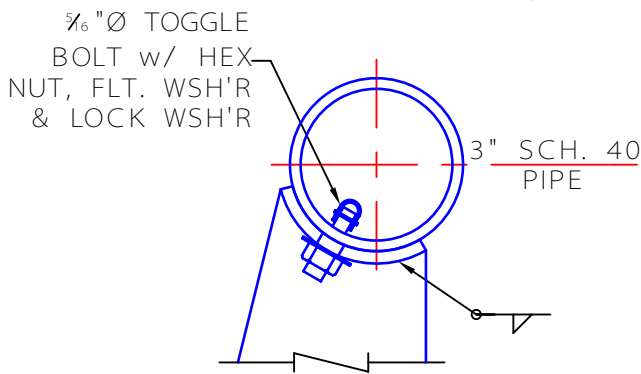
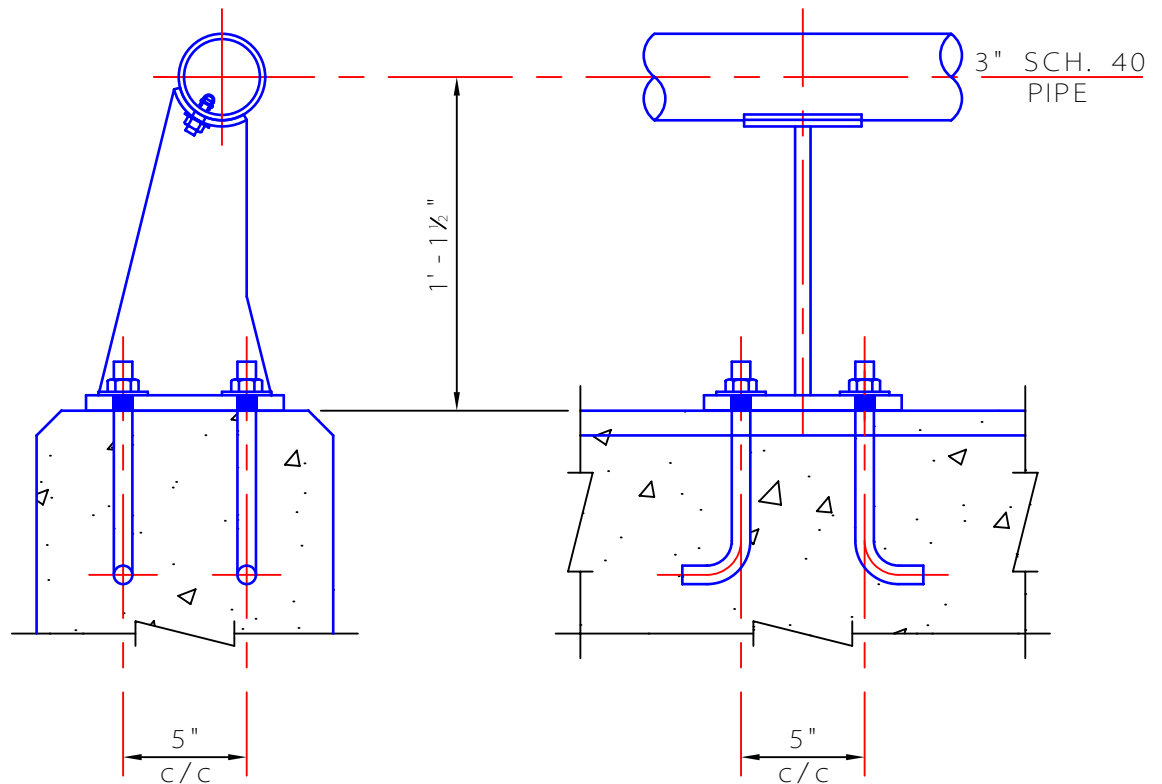
FABRICATED

TYPE:

1-LINE

MATERIAL:

ALUMINUM



**MATERIAL SPECIFICATIONS:**

FABRICATED POSTALUMINUM A.S.T.M.

B209, ALLOY 6061-T6.

RAIL & SLEEVES: EXTRUDED ALUMINUM

A.S.T.M. B221, ALLOY 6061-T6.

RAIL HARDWARE: TOGGLE BOLT A.S.T.M.

B165, TYPE TS.

ANCHOR HARDWARE ANCHOR BOLT,

A.S.T.M. A36, GALVANIZE PER A153.

HEX NUT, A.S.T.M. A563, GALVANIZE PER A153.

FLAT WASHER, A.S.T.M.

A436, GALVANIZE PER A153.