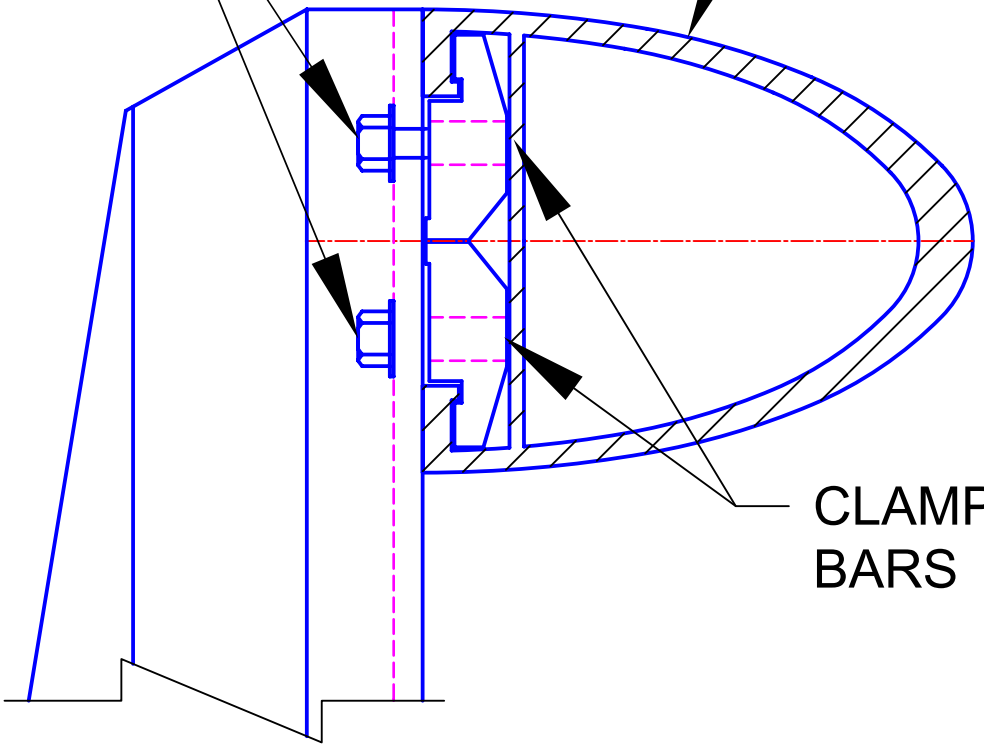


1/2"Ø S.S. HEX BOLT  
w/ALUM. WASHER

SEMI-ELLIP.  
ALUM. RAIL



CLAMPING  
BARS

L. B. FOSTER COMPANY  
415 HOLIDAY DRIVE  
PITTSBURGH, PA. 15220

BRIDGE RAIL SYSTEM FOR:

MARYLAND

STYLE:

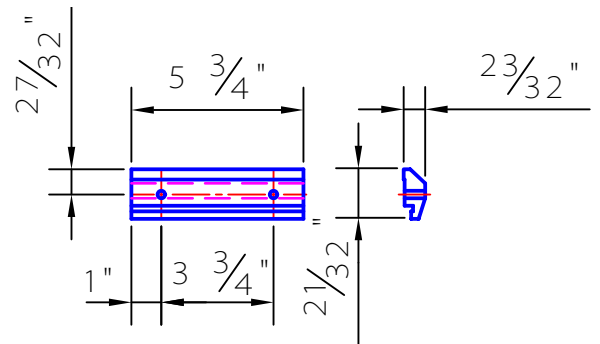
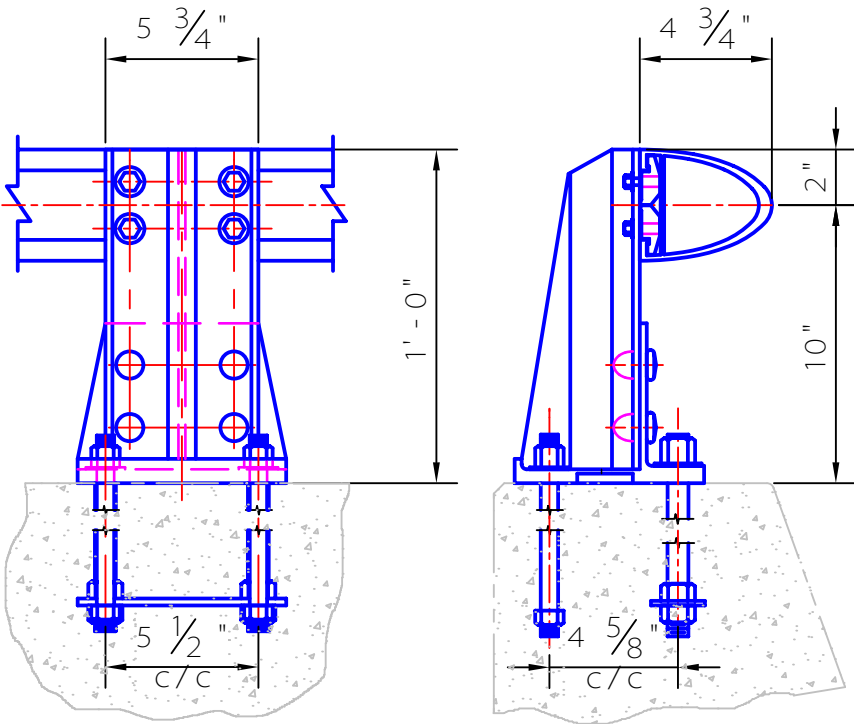
FABRICATED

TYPE:

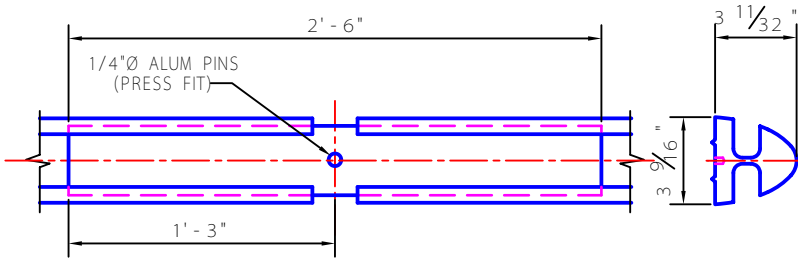
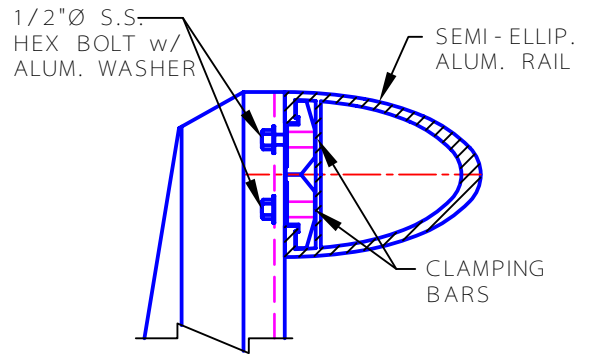
1-LINE

MATERIAL:

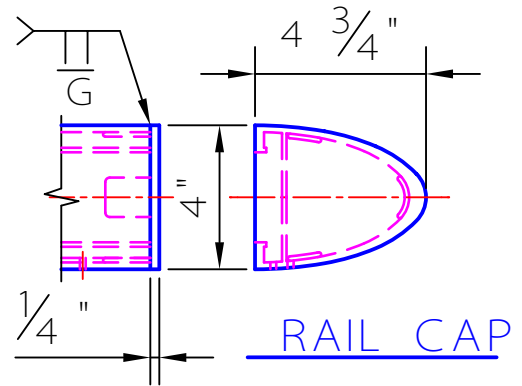
ALUMINUM



CLAMP BARS



BARRIER RAIL SPLICE



RAIL CAP

MATERIAL SPECIFICATIONS:

RAILS, POSTS, BASE, SPLICES, CLAMP BARS AND PINS:

ALUMINUM A.S.T.M. B221, ALLOY 6061-T6

RIVETS:

ALUMINUM B316, ALLOY 6061-T6, BUTTON HD.,  
CONE PT.

CLAMP BAR BOLTS:

A.S.T.M. A193, TYPE B8

ALUMINUM WASHERS:

A.S.T.M. B209, 6061-T6 or 7075-T6

S.S. RODS:

A.S.T.M. A276, TYPE 304, ANNEALED

ALUMINUM HVY. HEX NUTS:

A.S.T.M. B211, 6061-T6 or 6262-T9

STEEL HEX NUTS:

A.S.T.M. A563, GRADE A - PLAIN

STEEL BAR:

A.S.T.M. A36

ALUMINUM END CAPS:

A.S.T.M. B26, 356-F

