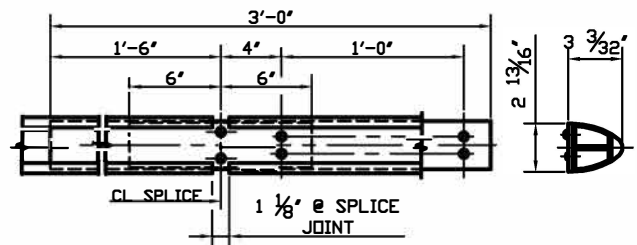
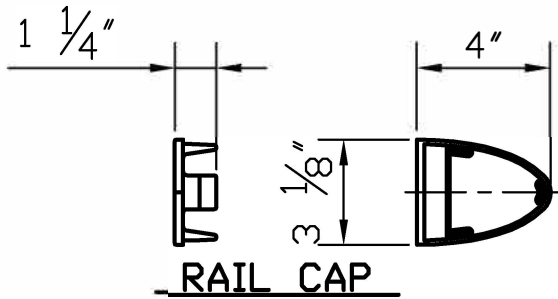
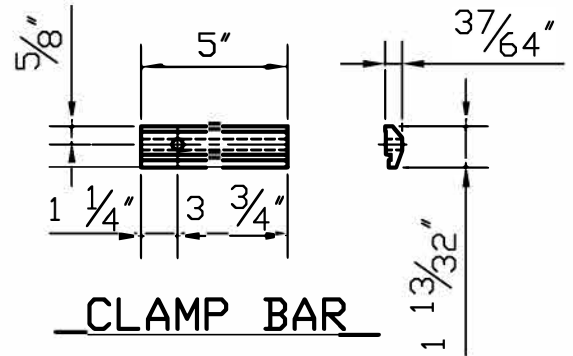
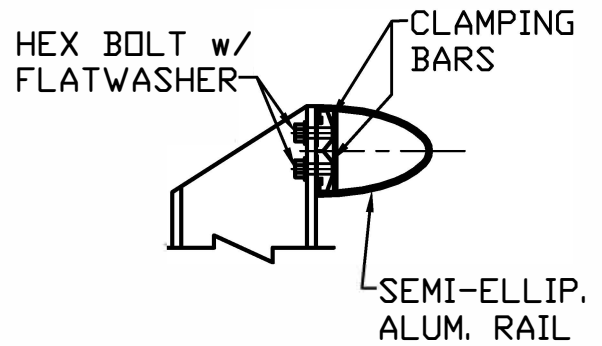
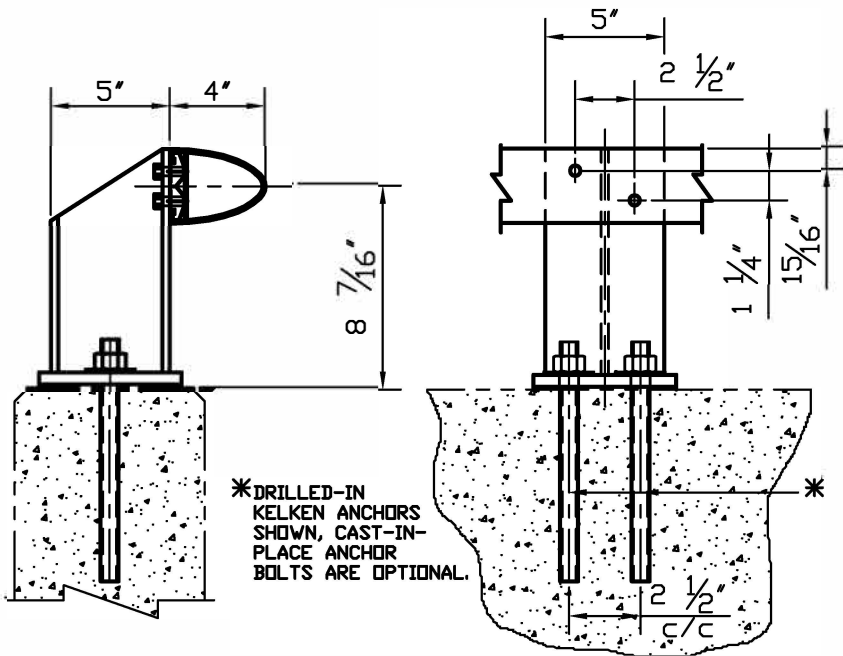


L. B. FOSTER COMPANY  
415 HOLIDAY DRIVE  
PITTSBURGH, PA. 15220

BRIDGE RAIL SYSTEM FOR:

FLORIDA

STYLE:	FABRICATED
TYPE:	1-LINE
MATERIAL:	ALUMINUM



SPLICE JOINT

MATERIAL SPECIFICATIONS:

- RAILS, POSTS, SPLICES, CLAMP BARS & COVER PLATES:  
ALUMINUM A.S.T.M. B221, ALLOY 6061-T6
- POST BASE PLATES:  
ALUMINUM B209, ALLOY 6061-T6
- HEX HD. CAP SCREWS:  
A.S.T.M. A593, SERIES 300
- ALUMINUM WASHERS:  
A.S.T.M. B209, 2024-T4 ALCLAD
- STEEL ANCHOR RODS:  
A.S.T.M. A36, GALV. PER A153
- STEEL WASHERS:  
A.S.T.M. F436, GALV. PER A153
- STEEL HEX NUTS:  
A.S.T.M. A563, GRADE A, GALV. PER
- RESILIENT PADS:  
PER SECTION 932-2.1
- ALUMINUM END CAPS:  
A.S.T.M. B26, 356-F

