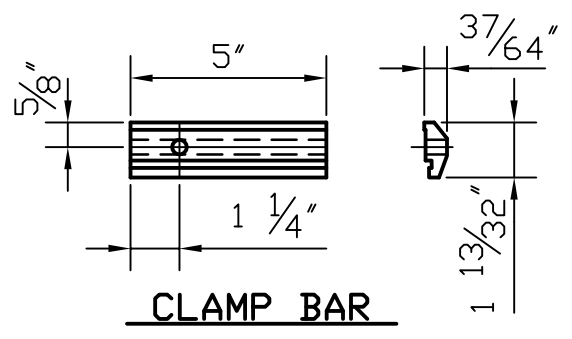
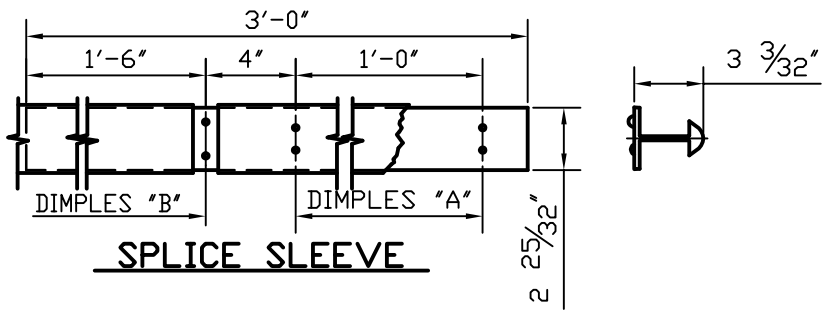
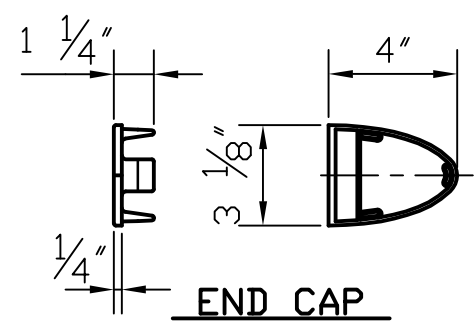
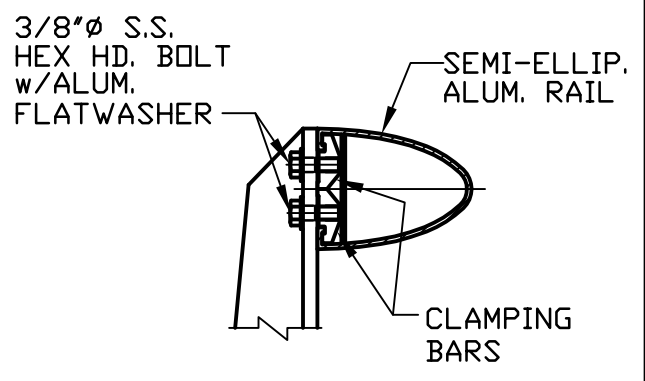
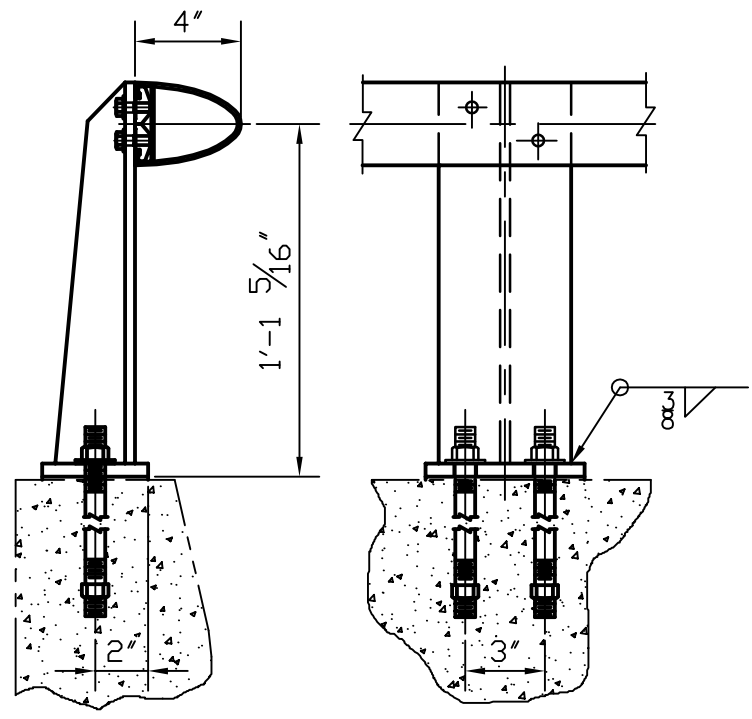


L. B. FOSTER COMPANY
 1016 GREENTREE ROAD
 PITTSBURGH, PA. 15220

BRIDGE RAIL SYSTEM FOR:

DELAWARE

STYLE:	FABRICATED
TYPE:	1-LINE
MATERIAL:	ALUMINUM



MATERIAL SPECIFICATIONS:

EXTRUDED POSTS, RAILS, SPLICE SLEEVES & CLAMP BARS:

ALUMINUM A.S.T.M. B221, ALLOY 6061-T6

POSTS BASE PLATES:

A.S.T.M. B209, ALLOY 6061-T6

END CAPS:

A.S.T.M. B26, ALUM. ALLOY 356-F:

RUBBER & FIBER PADS:

80±5 SHORE A DUROMETER

STEEL HEX NUTS:

A.S.T.M. A563, GRADE A (PLAIN or GALV.)

ALUMINUM NUTS:

A.S.T.M. B221, ALLOY 6061-T6

ANCHOR RODS:

A.S.T.M. A276, TYPE 304 or 430 w/ROLLED THREADS ONLY

S.S. HEX HD. CAP SCREWS (CLAMPS):

A.S.T.M. A193, GRADE B8

ALUMINUM WASHERS:

A.S.T.M. B209, ALCLAD 2024-T4

