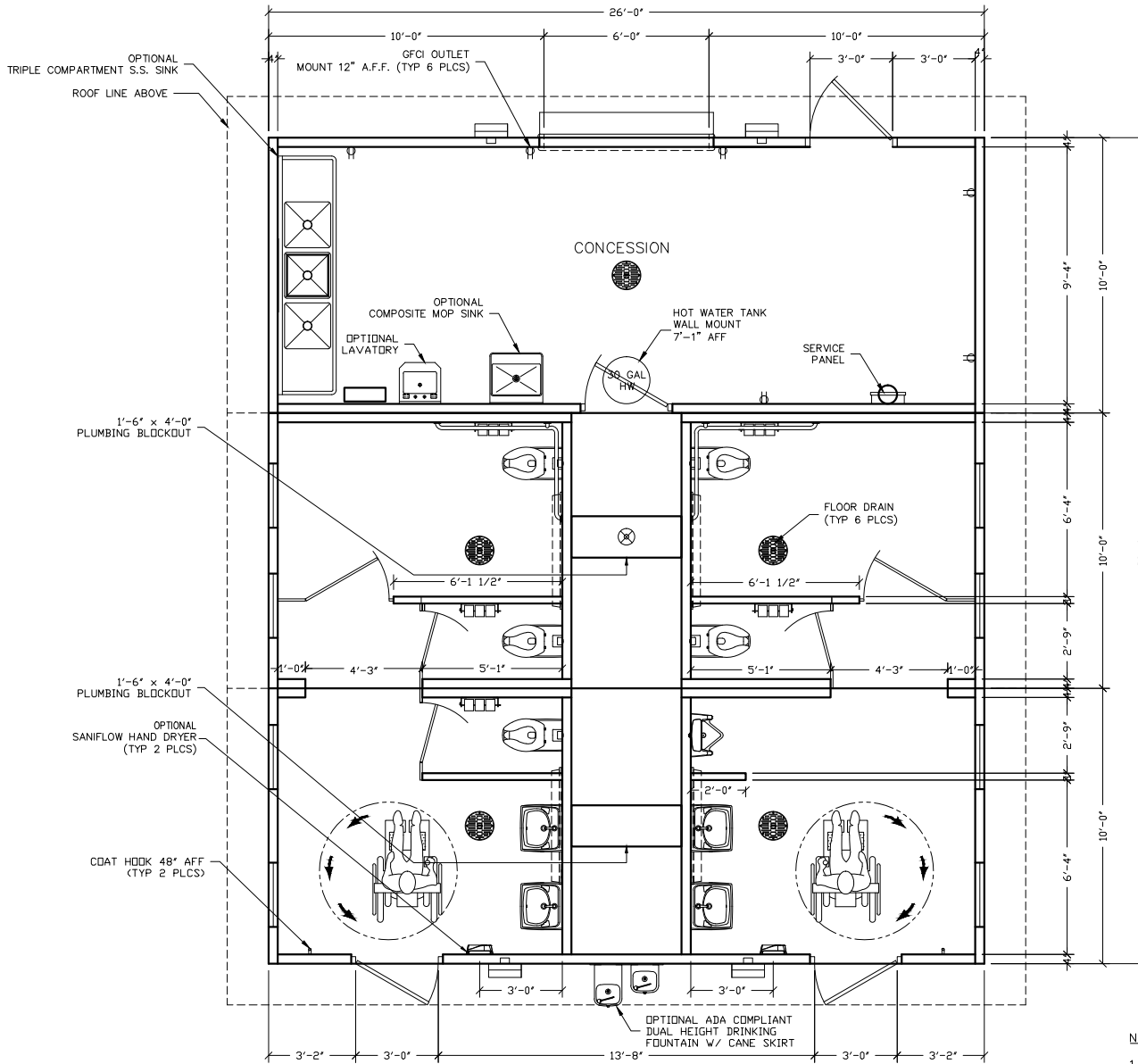


FOR  
REFERENCE  
ONLY



NOTES:

1. PLUMBING AND ELECTRICAL COMPONENTS ARE SHOWN FOR GENERAL ARRANGEMENT ONLY. SEE SHEETS PM-36 THRU PM-41 FOR COMPLETE SYSTEM DESCRIPTIONS.

3808 N. Sullivan Bldg, #7 Spokane, WA 99216



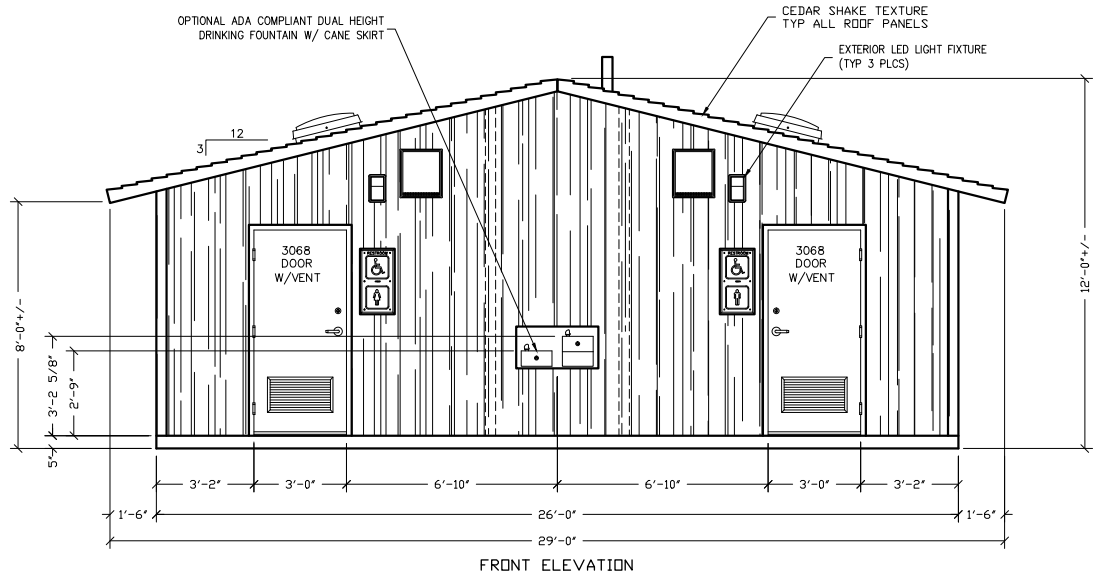
PROJECT FILE  
**POMONA**  
CXT STANDARD BUILDING

NOTICE  
The information contained herein is proprietary and the exclusive property of CXT Incorporated. The information may only be used by the original recipient for the purpose intended. Reproduction or distribution of this information is strictly prohibited without the prior written consent of CXT Incorporated. By allowing use of this information, CXT Incorporated grants no warranty, express or implied, including a warranty of merchantability or of fitness for a particular purpose.

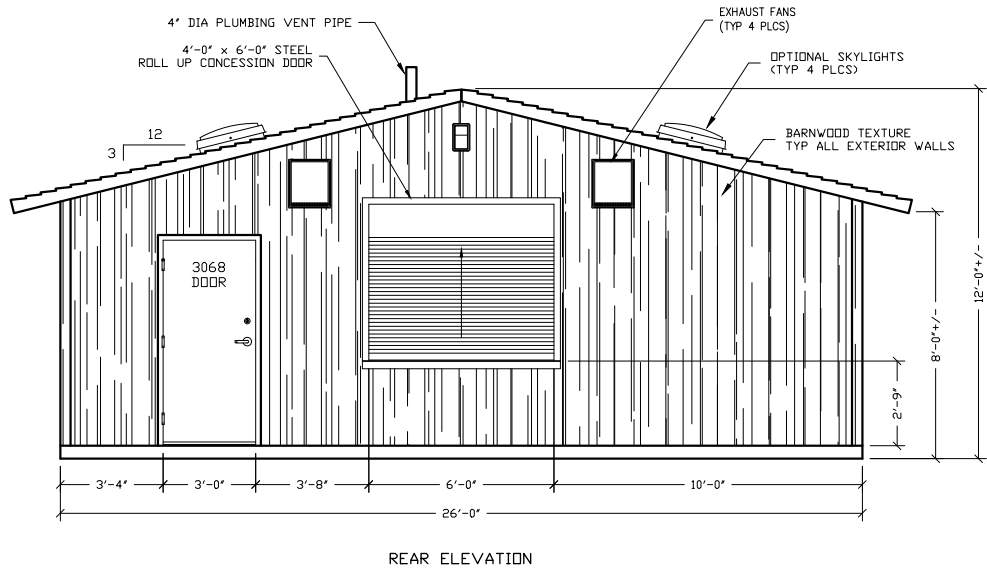
REV.	DESCRIPTION	DATE	APPROVED	DATE
SCALE	NTS	DATE	04-30-16	
DRAWN		FILE NO.	PD-PM03	
CHECKED		PLOT	48	

FLOOR PLAN

DWG NO.	SHEET	REV.
PM-03		



FOR  
REFERENCE  
ONLY



3808 N. Sullivan Bldg. #7 Spokane, WA 99216

**CXT**  
Precast Products  
901 N. Highway 77 Hillboro, TX 76645

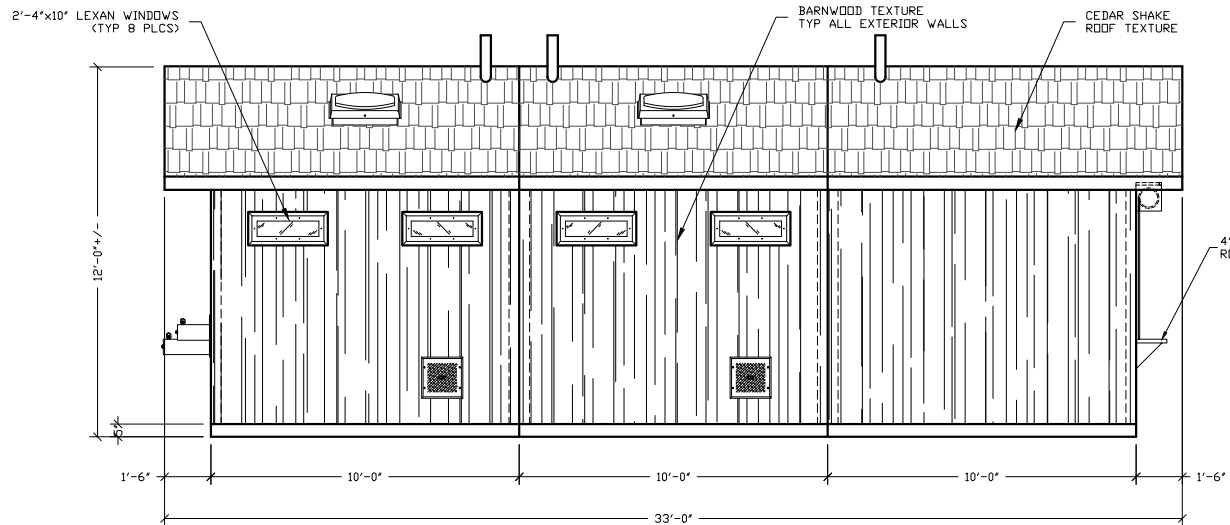
PROJECT FILE  
**POMONA**  
CXT STANDARD BUILDING

NOTICE  
The information contained herein is proprietary and the exclusive property of CXT Incorporated. The information may only be used by the original recipient for the purpose intended. Reproduction or distribution of this information is strictly prohibited without the prior written consent of CXT Incorporated. By allowing use of this information, CXT Incorporated grants no warranty, express or implied, including a warranty of merchantability or of fitness for a particular purpose.


REV.	DESCRIPTION	DATE	APPROVAL	DATE
SCALE	1/4"=1'-0"	DATE	04-30-18	
DRAWN	FILE NO.		90-PM04	
CHECKED	PLOT		48	

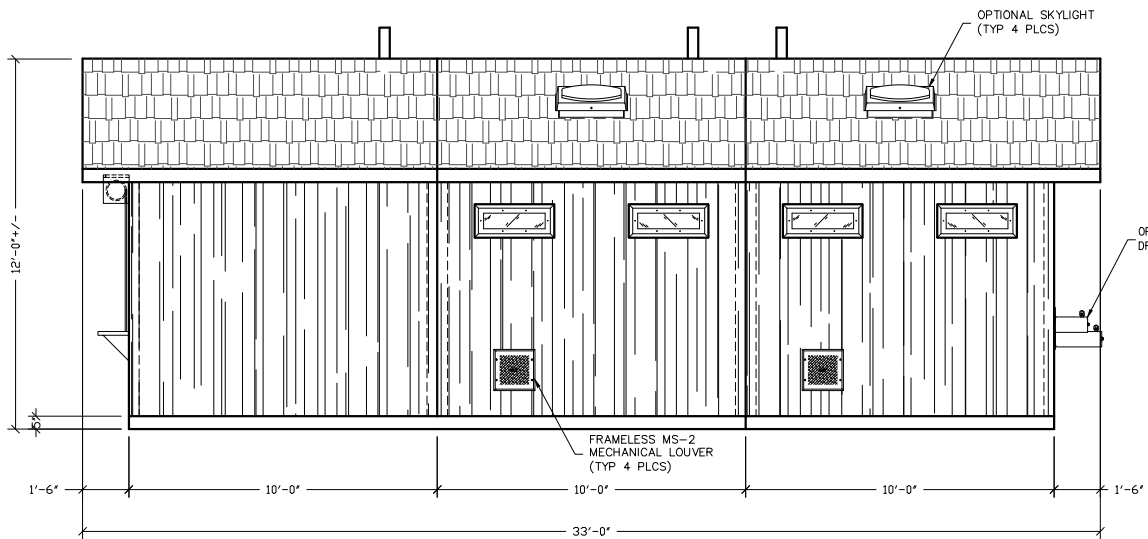
BUILDING ELEVATIONS

DWG NO.	SHEET	REV.
PM-04		



RH SIDE ELEVATION

FOR REFERENCE ONLY



LH SIDE ELEVATION

3808 N. Sullivan Bldg. #7 Spokane, WA 99216



PROJECT TITLE  
POMONA  
CXT STANDARD BUILDING

NOTICE  
The information contained herein is proprietary and the exclusive property of CXT Incorporated. The information may only be used by the original recipient for the purpose intended. Reproduction or distribution of this information is strictly prohibited without the prior written consent of CXT Incorporated. By allowing use of this information, CXT Incorporated grants no warranty, express or implied, including a warranty of merchantability or of fitness for a particular purpose.  
CXT Incorporated

REV.	DESCRIPTION	APPROVED	DATE
SCALE	1/4"=1'-0"	DATE	04-30-18
DRAWN	FILE NO.	90-PMCS	
CHECKED	PLOT	48	

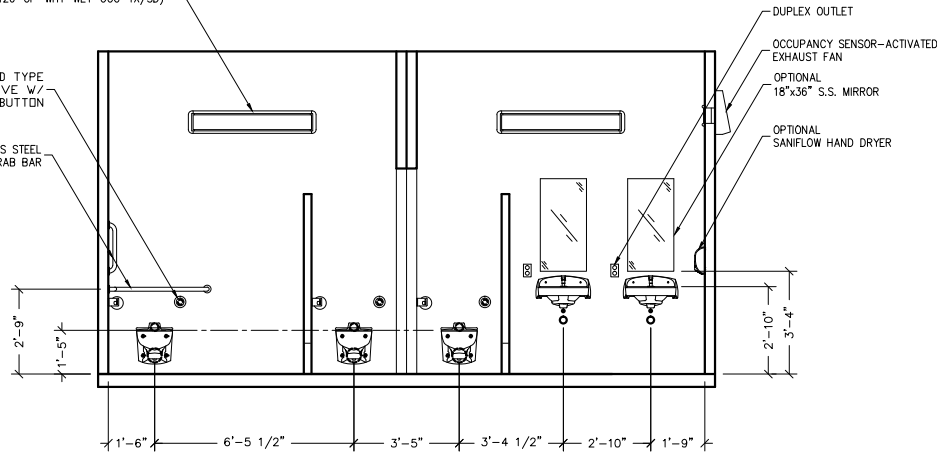
BUILDING ELEVATIONS

DWG NO.	SHEET	REV.
PM-05		

VANDAL RESISTANT WALL HUNG  
WET LOCATION 4" LED LIGHT FIXTURE  
OCCUPANCY SENSOR ACTIVATED  
(VPFB-4-28W HP-4000-120-CP-WHT-WET-OCC-TX/SD)

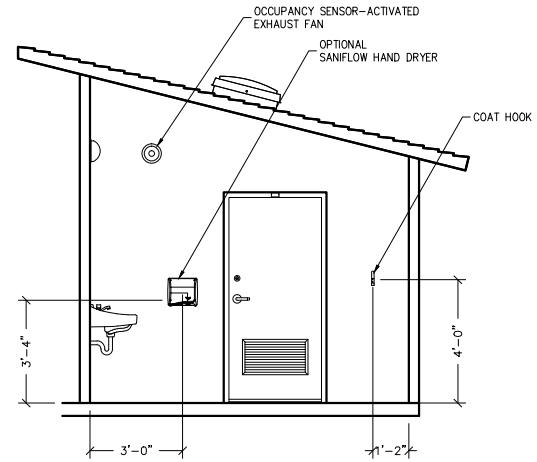
CONCEALED TYPE  
FLUSH VALVE W/  
PUSH BUTTON

1 1/2" STAINLESS STEEL  
GRAB BAR

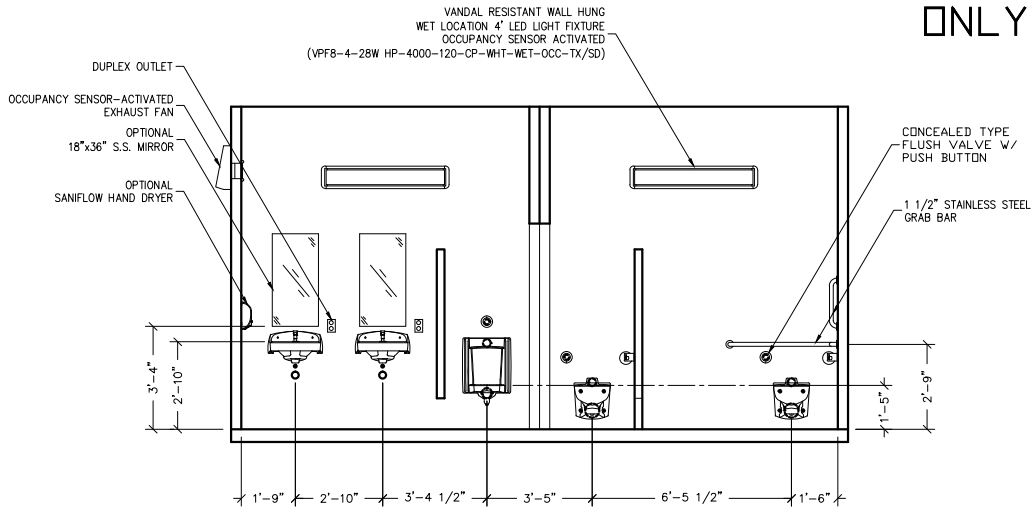


INTERIOR ELEVATION - WOMEN'S RESTROOM

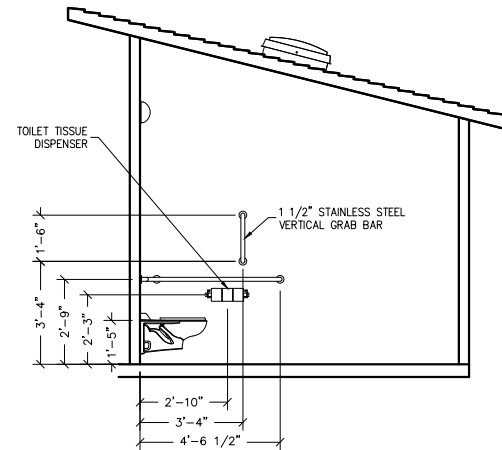
FOR  
REFERENCE  
ONLY



INTERIOR ELEVATION - WOMEN'S RESTROOM  
MENS OPPOSITE HAND



INTERIOR ELEVATION - MEN'S RESTROOM



INTERIOR ELEVATION - MEN'S RESTROOM

3808 N. Sullivan Bldg. #7 Spokane, WA 99216

**CXT**  
Precast Products  
901 N. Highway 77 Hillboro, TX 76645

PROJECT FILE  
**POMONA**  
CXT STANDARD BUILDING

NOTICE

The information contained herein is proprietary and the exclusive property of CXT Incorporated. The information may only be used by the original recipient for the purpose intended. Reproduction or distribution of this information is strictly prohibited without the prior written consent of CXT Incorporated. By allowing use of this information, CXT Incorporated grants no warranty, express or implied, including a warranty of merchantability or of fitness for a particular purpose.

CXT Incorporated

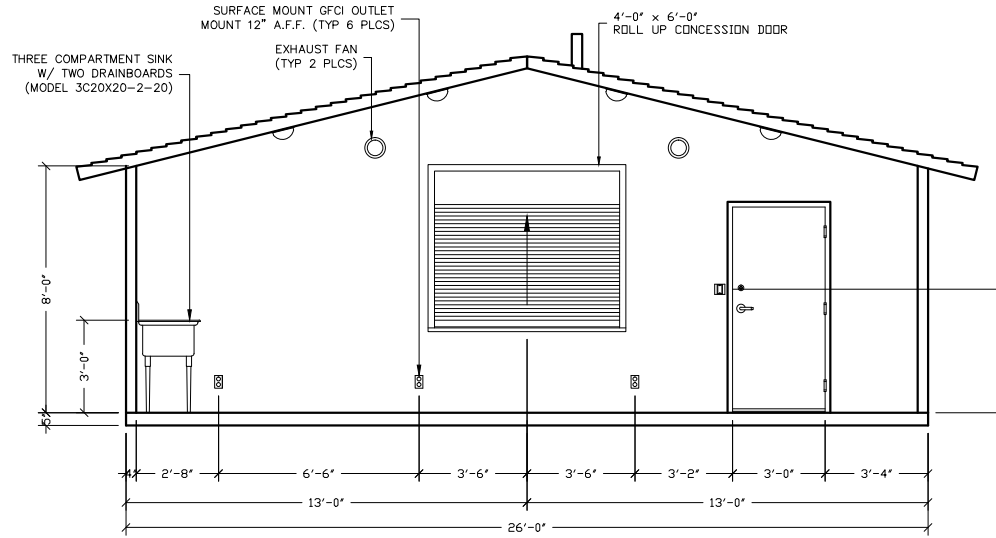
REV.	DESCRIPTION	DATE	APPROVED	DATE
SCALE	1/4"=1'-0"	DATE	04-30-18	
DRAWN		FILE NO.	90-PK06	
CHECKED		PLOT	48	

INTERIOR ELEVATIONS

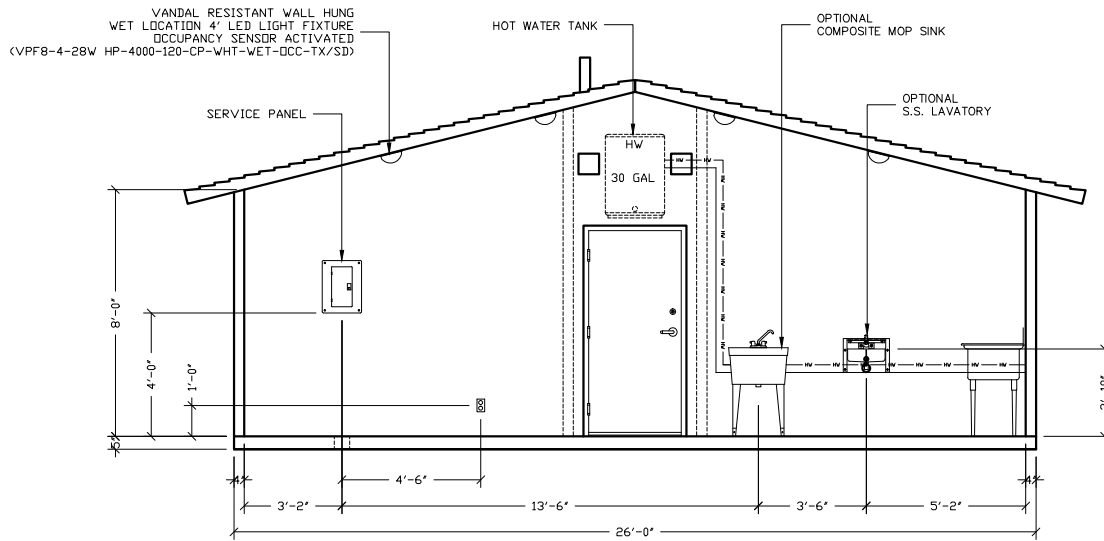
DWG NO. SHEET REV.

PM-06

FOR  
REFERENCE  
ONLY



CONCESSION FRONT WALL INTERIOR ELEVATION



CONCESSION BACK WALL INTERIOR ELEVATION

3808 N. Sullivan Bldg. #7 Spokane, WA 99216



PROJECT FILE  
**POMONA**  
CXT STANDARD BUILDING

NOTICE  
The information contained herein is proprietary and the exclusive property of CXT Incorporated. The information may only be used by the original recipient for the purpose intended. Reproduction or distribution of this information is strictly prohibited without the prior written consent of CXT Incorporated. By allowing use of this information, CXT Incorporated grants no warranty, express or implied, including a warranty of merchantability or of fitness for a particular purpose.  
CXT Incorporated

REV.	DESCRIPTION	APPROVAL	DATE
SCALE	3/8"=1'-0"	DATE	04-30-18
DRAWN	FILE NO.	90-PM07	
CHECKED	PLOT	48	

CONCESSION  
INTERIOR ELEVATIONS

DWG NO. **PM-07** SHEET REV.