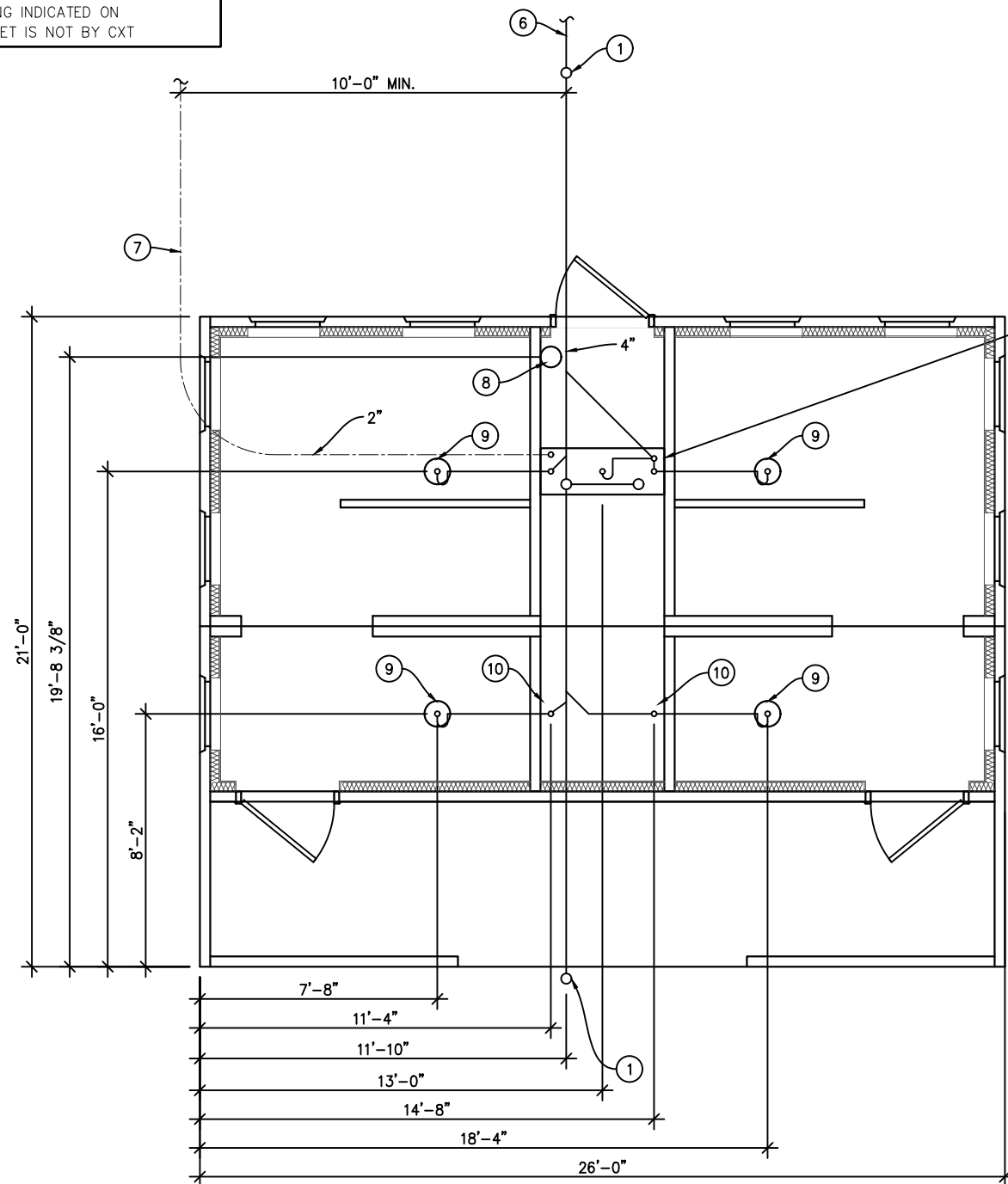
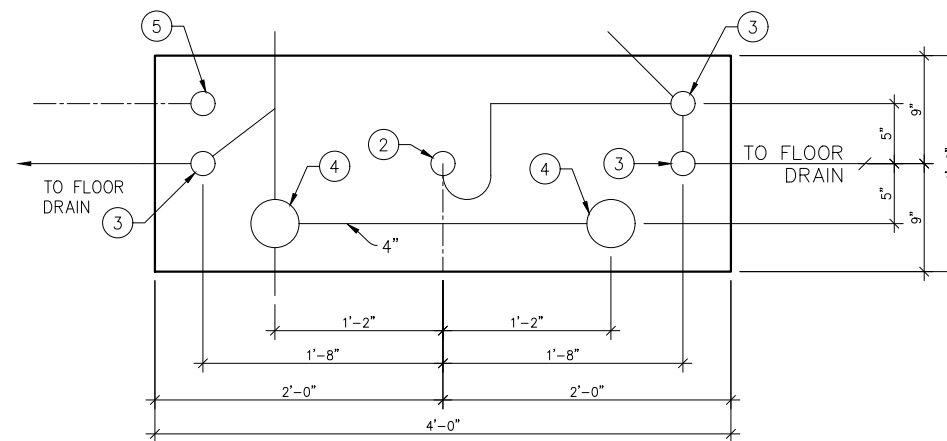


ALL PIPING INDICATED ON THIS SHEET IS NOT BY CXT



SEE 4'-0" x 1'-6" BLOCKOUT DETAIL "A"



4'-0" x 1'-6" BLOCKOUT DETAIL "A"

**BELOW FLOOR PIPING – KEY NOTES**

1. 4" CLEAN OUT TO GRADE.
2. 2" FLOOR DRAIN. FIELD INSTALLED TRAP SEAL (4'-0" x 1'-6" BLOCKOUT)
3. 2" VENT PIPES EXTENDED 12" ABOVE FINISHED FLOOR LEVEL, PROVIDE TEST PLUG. (4'-0" x 1'-6" BLOCKOUT)
4. 4" WASTE PIPE EXTENDED 12" ABOVE FINISHED FLOOR LEVEL, PROVIDE TEST PLUG. (4'-0" x 1'-6" BLOCKOUT)
5. 2" TYPE K OR L ANNEALED "SOFT" COPPER WATER SERVICE EXTENDED 12" ABOVE FINISHED FLOOR LEVEL, PROVIDE CAP AT END. (4'-0" x 1'-6" BLOCKOUT)
6. 30" MIN. BURY, PROVIDE TRACER TAPE.
7. MIN. BURY PER LOCAL REQUIREMENTS TO PROTECT AGAINST FREEZING AND DAMAGE.
8. ELECTRICAL STUB UP, (8" DIA BLOCKOUT)
9. 2" FLOOR DRAIN. FIELD INSTALLED TRAP SEAL (10" DIA BLOCKOUT)
10. 2" VENT PIPES EXTENDED 12" ABOVE FINISHED FLOOR LEVEL, PROVIDE TEST PLUG. (8" DIA BLOCKOUT)

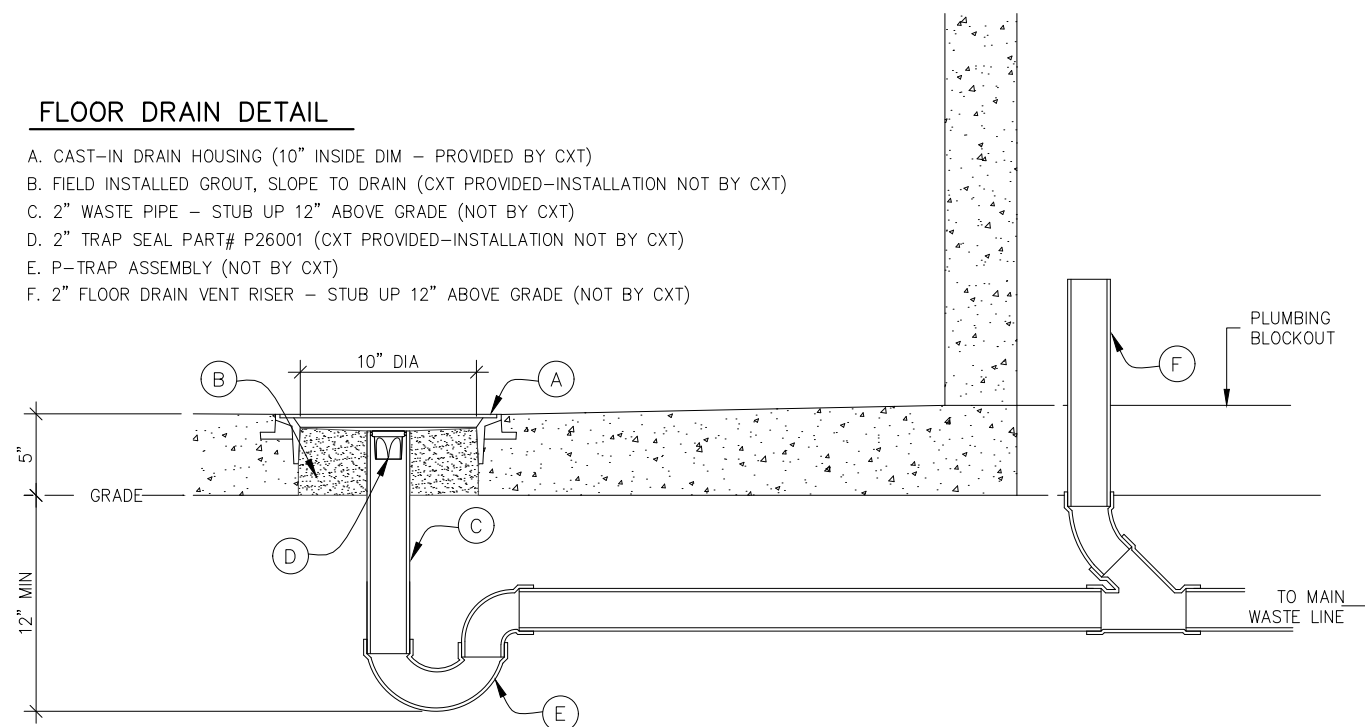
**FLOOR DRAIN BLOCKOUTS & BELOW FLOOR PIPING**

**PIPING LEGEND**

- 2" WATER SERVICE, ANNEALED "SOFT" COPPER, ASTM B88, TYPE "K" OR "L"
- BELOW FLOOR WASTE PIPING: SCH 40 PVC, ASTM D2665, TYPE DWV
- BELOW FLOOR VENT PIPING: SCH 40 PVC, ASTM D2665, TYPE DWV

**FLOOR DRAIN DETAIL**

- A. CAST-IN DRAIN HOUSING (10" INSIDE DIM – PROVIDED BY CXT)
- B. FIELD INSTALLED GROUT, SLOPE TO DRAIN (CXT PROVIDED–INSTALLATION NOT BY CXT)
- C. 2" WASTE PIPE – STUB UP 12" ABOVE GRADE (NOT BY CXT)
- D. 2" TRAP SEAL PART# P26001 (CXT PROVIDED–INSTALLATION NOT BY CXT)
- E. P–TRAP ASSEMBLY (NOT BY CXT)
- F. 2" FLOOR DRAIN VENT RISER – STUB UP 12" ABOVE GRADE (NOT BY CXT)



6701 E Flamingo Ave Bldg 300 Nampa, ID 83687  
901 N. Highway 77 Hillsboro, TX 76645  
362 Waverly Road Williamstown, WV 26187

PROJECT TITLE  
**MONTROSE W/PORCH**  
BUILDING NUMBER M-353

NOTICE  
The information contained herein is proprietary and the exclusive property of CXT Incorporated. The information may only be used by the original recipient for the purpose intended. Reproduction or distribution of this information is strictly prohibited without the prior written consent of CXT Incorporated. By allowing use of this information, CXT Incorporated grants no warranty, express or implied, including a warranty of merchantability or of fitness for a particular purpose.  
CXT Incorporated

REV.	DESCRIPTION	APPROVAL	DATE
SCALE	3/16"=1'-0"	DATE	7-12-23
DRAWN	G.OGG	FILE NO.	M-353
CHECKED	BHA	PLOT	64

**FLOOR DRAIN LOCATIONS AND BELOW FLOOR PIPING**

DWG NO.	SHEET	REV.
M-30	30 / 38	0