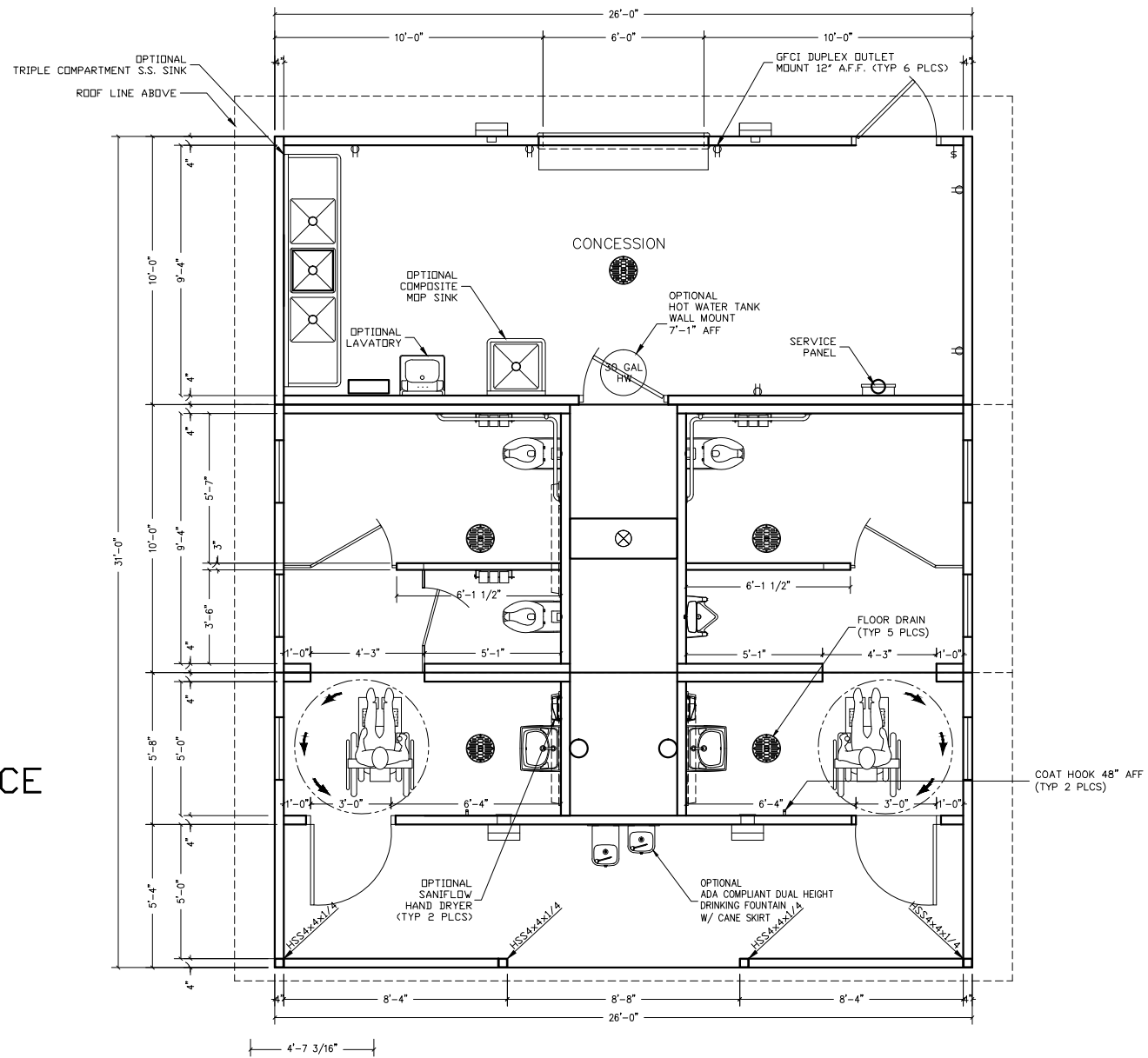


FOR
REFERENCE
ONLY



3808 N. Sullivan Bldg, #7 Spokane, WA 99216



901 N. Highway 77 Hillboro, TX 76645

PROJECT TITLE
MALIBU with PORCH
CXT STANDARD BUILDING

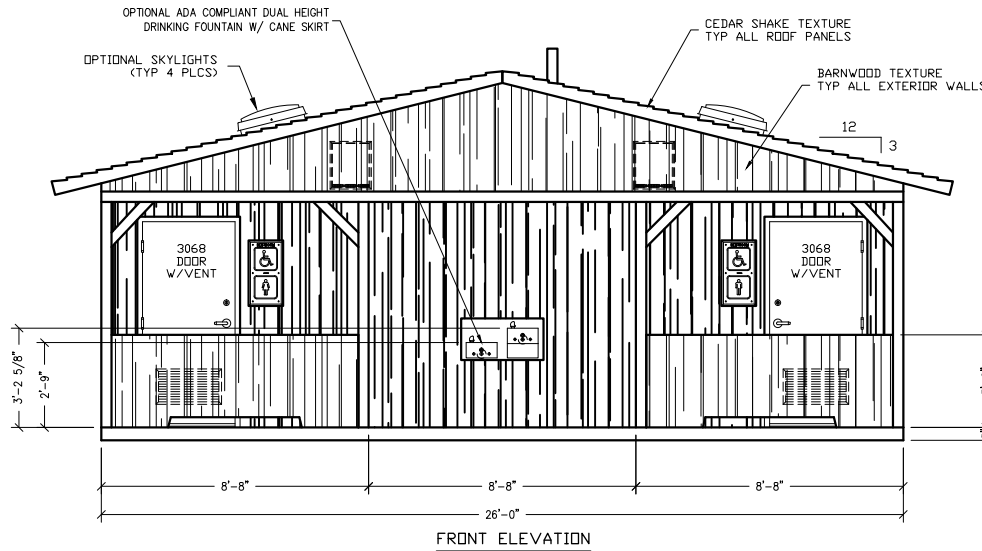
NOTICE
The information contained herein is proprietary and the exclusive property of CXT Incorporated. The information may only be used by the original recipient for the purpose intended. Reproduction or distribution of this information is strictly prohibited without the prior written consent of CXT Incorporated. By allowing use of this information, CXT Incorporated grants no warranty, express or implied, including a warranty of merchantability or of fitness for a particular purpose.

CXT Incorporated

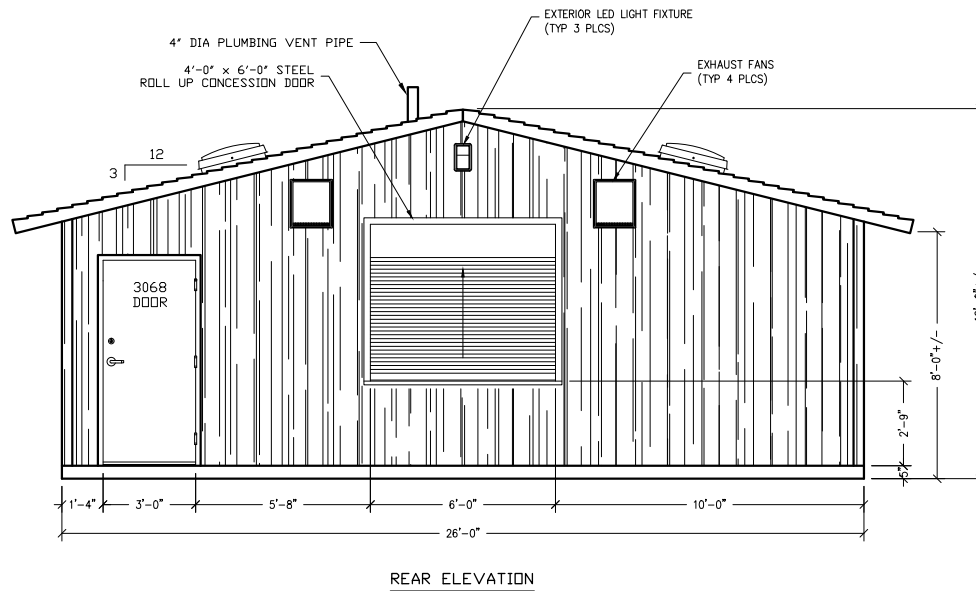
REV.	DESCRIPTION	APPROVED	DATE
SCALE	1/4" = 1'-0"	DATE	08-20-16
DRAWN	D. BRESLER	FILE NO.	00-MB03
CHECKED		PLOT	48

FLOOR PLAN

DWG NO.	SHEET	REV.
MB-03		



FOR
REFERENCE
ONLY



3808 N. Sullivan Bldg. #7 Spokane, WA 99216

CXT
Precast Products
901 N. Highway 77 Hillboro, TX 76645

PROJECT FILE
MALIBU with PORCH
CXT STANDARD BUILDING

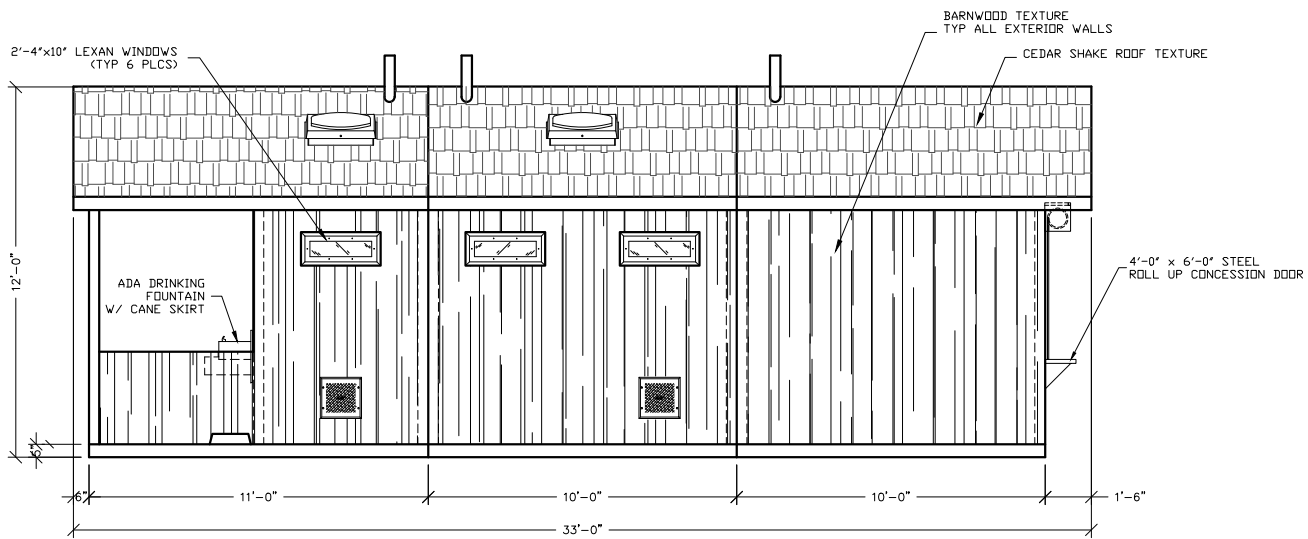
NOTICE
The information contained herein is proprietary and the exclusive property of CXT Incorporated. The information may only be used by the original recipient for the purpose intended. Reproduction or distribution of this information is strictly prohibited without the prior written consent of CXT Incorporated. By allowing use of this information, CXT Incorporated grants no warranty, express or implied, including a warranty of merchantability or of fitness for a particular purpose.

CXT Incorporated

REV.	DESCRIPTION	DATE	APPROVAL	DATE
SCALE	1/4"=1'-0"	DATE	06-10-10	
DRAWN	FILE NO.	PD-MB04		
CHECKED	PLOT	48		

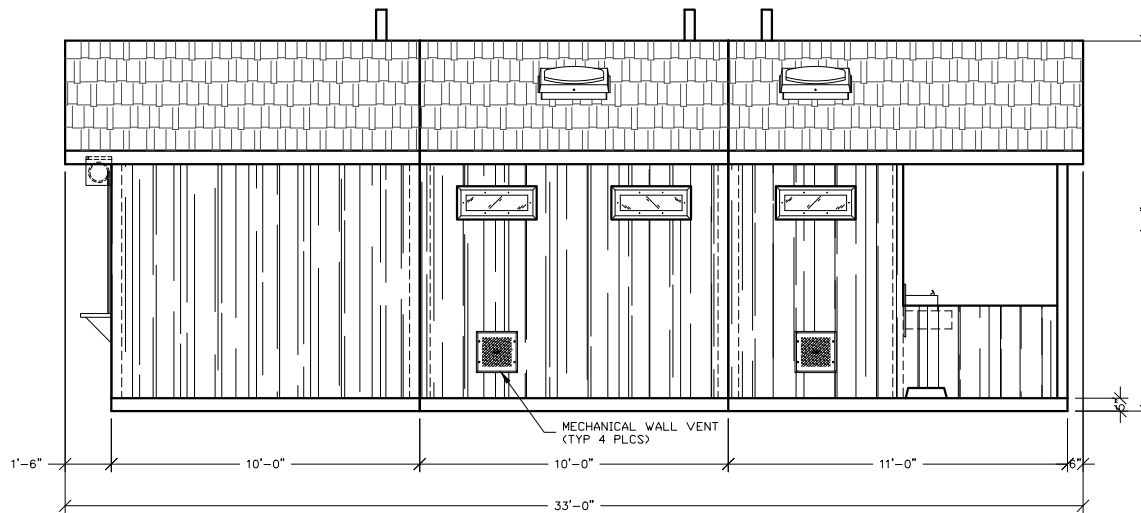
BUILDING ELEVATIONS

DWG NO.	SHEET	REV.
MB-04		



RH SIDE ELEVATION

FOR
REFERENCE
ONLY



LH SIDE ELEVATION

3808 N. Sullivan Bldg. #7 Spokane, WA 99216



901 N. Highway 77 Hillboro, TX 76645

PROJECT FILE
MALIBU with PORCH
CXT STANDARD BUILDING

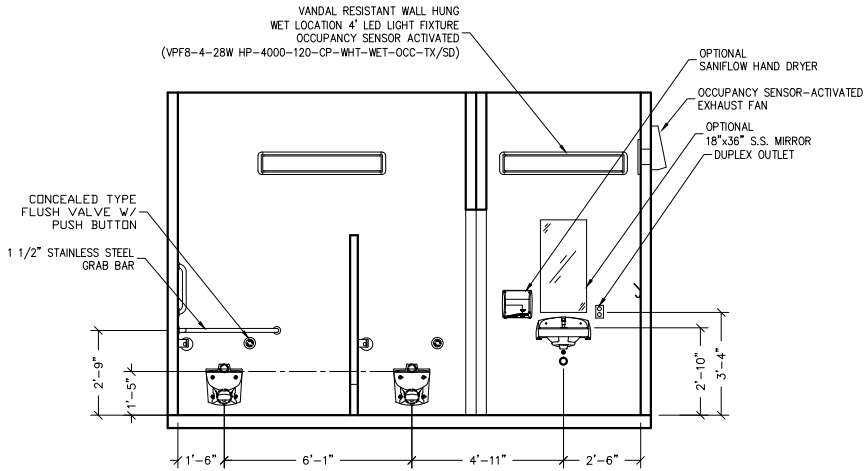
NOTICE
The information contained herein is proprietary and the exclusive property of CXT Incorporated. The information may only be used by the original recipient for the purpose intended. Reproduction or distribution of this information is strictly prohibited without the prior written consent of CXT Incorporated. By allowing use of this information, CXT Incorporated grants no warranty, express or implied, including a warranty of merchantability or of fitness for a particular purpose.

CXT Incorporated

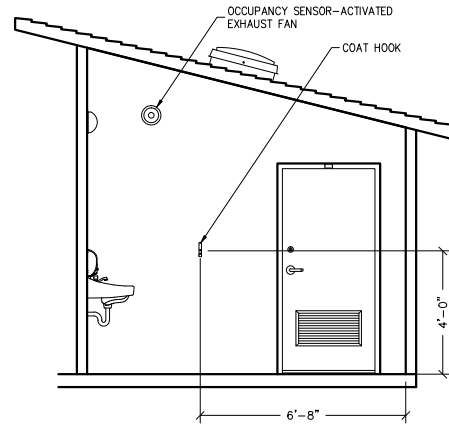
REV.	DESCRIPTION	DATE	APPROVED	DATE
SCALE	1/4"=1'-0"	DATE	06-20-18	
DRAWN	FILE NO.	190-MB05		
CHECKED	PLOT	48		

BUILDING ELEVATIONS

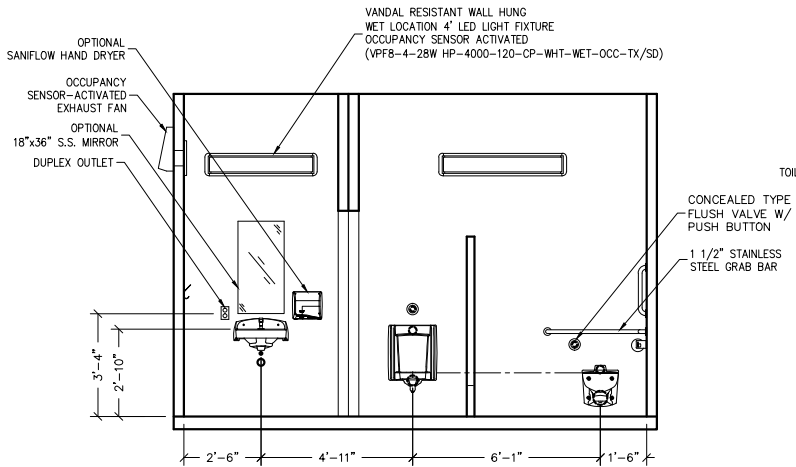
DWG NO. MB-05 SHEET REV.



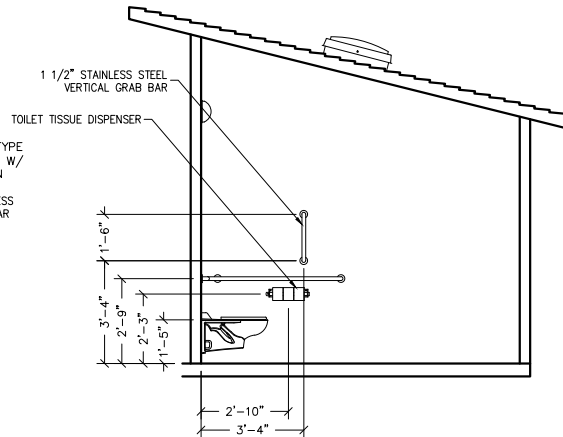
INTERIOR ELEVATION - WOMEN'S RESTROOM



INTERIOR ELEVATION - WOMEN'S RESTROOM
MENS OPPOSITE HAND



INTERIOR ELEVATION - MEN'S RESTROOM



INTERIOR ELEVATION - MEN'S RESTROOM
WOMENS OPPOSITE HAND

FOR
REFERENCE
ONLY

3808 N. Sullivan Bldg. #7 Spokane, WA 99216

CXT
Precast Products
901 N. Highway 77 Hillboro, TX 76645

PROJECT TITLE
MALIBU with PORCH
CXT STANDARD BUILDING

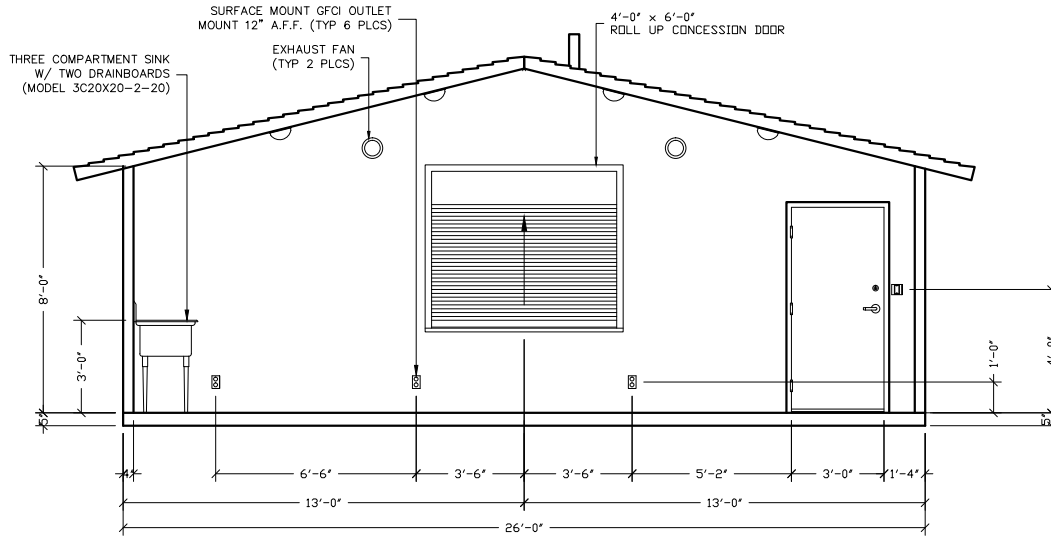
NOTICE
The information contained herein is proprietary and the exclusive property of CXT Incorporated. The information may only be used by the original recipient for the purpose intended. Reproduction or distribution of this information is strictly prohibited without the prior written consent of CXT Incorporated. By allowing use of this information, CXT Incorporated grants no warranty, express or implied, including a warranty of merchantability or of fitness for a particular purpose.

CXT Incorporated

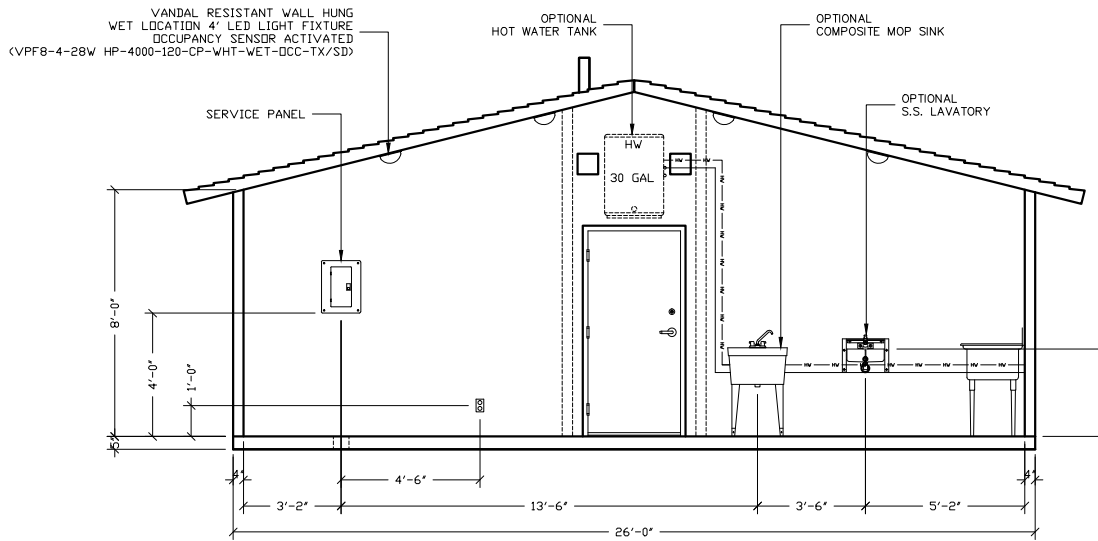
REV.	DESCRIPTION	DATE
SCALE	1/4"=1'-0"	DATE
DRAWN	FILE NO.	90-MB06
CHECKED	PLOT	48

INTERIOR ELEVATIONS

DWG NO.	SHEET	REV.
MB-06		



CONCESSION FRONT WALL INTERIOR ELEVATION



CONCESSION BACK WALL INTERIOR ELEVATION

FOR
REFERENCE
ONLY

3808 N. Sullivan Bldg, #7 Spokane, WA 99216

CXT
Precast Products
901 N. Highway 77 Hillboro, TX 76645

PROJECT TITLE
MALIBU with PORCH
CXT STANDARD BUILDING

NOTICE
The information contained herein is proprietary and the exclusive property of CXT Incorporated. The information may only be used by the original recipient for the purpose intended. Reproduction or distribution of this information is strictly prohibited without the prior written consent of CXT Incorporated. By allowing use of this information, CXT Incorporated grants no warranty, express or implied, including a warranty of merchantability or of fitness for a particular purpose.
CXT Incorporated

REV.	DESCRIPTION	APPROVED	DATE
SCALE	1/4"=1'-0"	DATE	06-20-16
DRAWN	FILE NO.	PL	MD07
CHECKED	PL	48	

CONCESSION
INTERIOR ELEVATIONS

DWG NO. MB-07 SHEET REV.