

FOR
REFERENCE
ONLY

3808 N. Sullivan Bldg. #7 Spokane, WA 99216

CXT
Precast Products
901 N. Highway 77 Hillboro, TX 76645

PROJECT TITLE
MALIBU
CXT STANDARD BUILDING

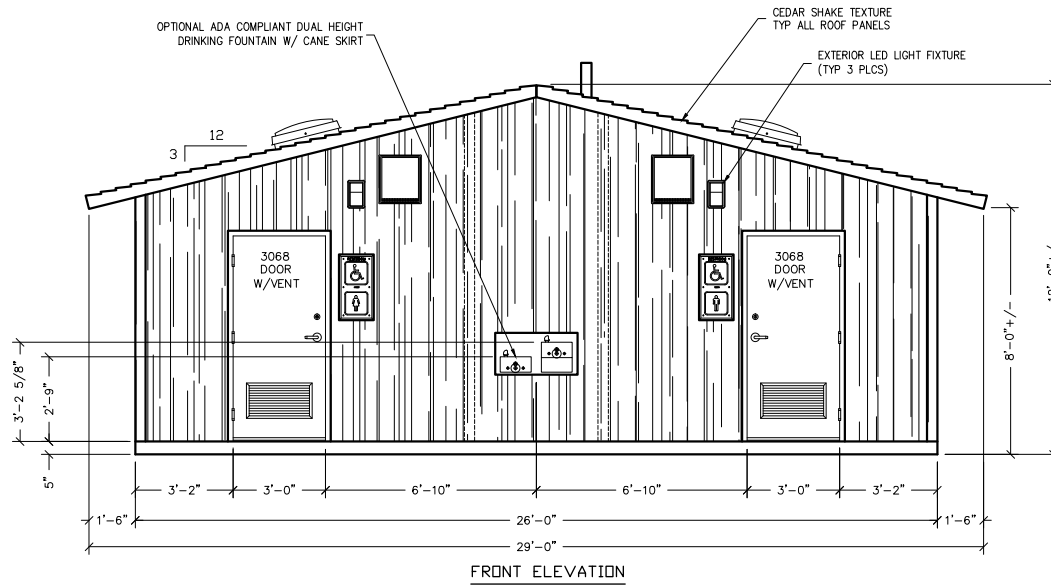
NOTICE
The information contained herein is proprietary and the exclusive property of CXT Incorporated. The information may only be used by the original recipient for the purpose intended. Reproduction or distribution of this information is strictly prohibited without the prior written consent of CXT Incorporated. By allowing use of this information, CXT Incorporated grants no warranty, express or implied, including a warranty of merchantability or of fitness for a particular purpose.

CXT Incorporated

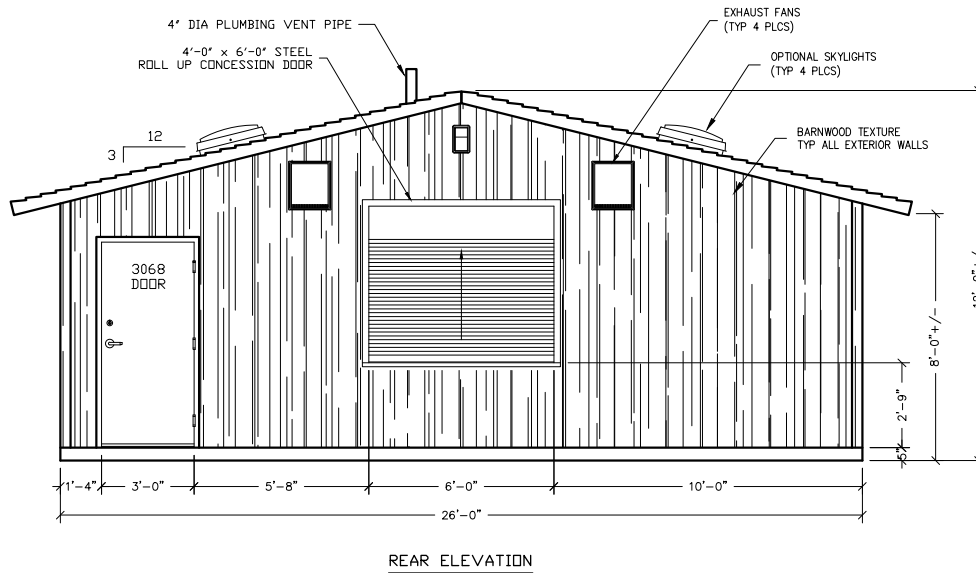
REV.	DESCRIPTION	APPROVED	DATE
SCALE	1/4"=1'-0"	DATE	06-10-10
DRAWN	FILE NO.	90-MB03	
CHECKED	PLOT	48	

FLOOR PLAN

DWG NO.	SHEET	REV.
MB-03		



FOR
REFERENCE
ONLY



3808 N. Sullivan Bldg. #7 Spokane, WA 99216



901 N. Highway 77 Hillboro, TX 76645

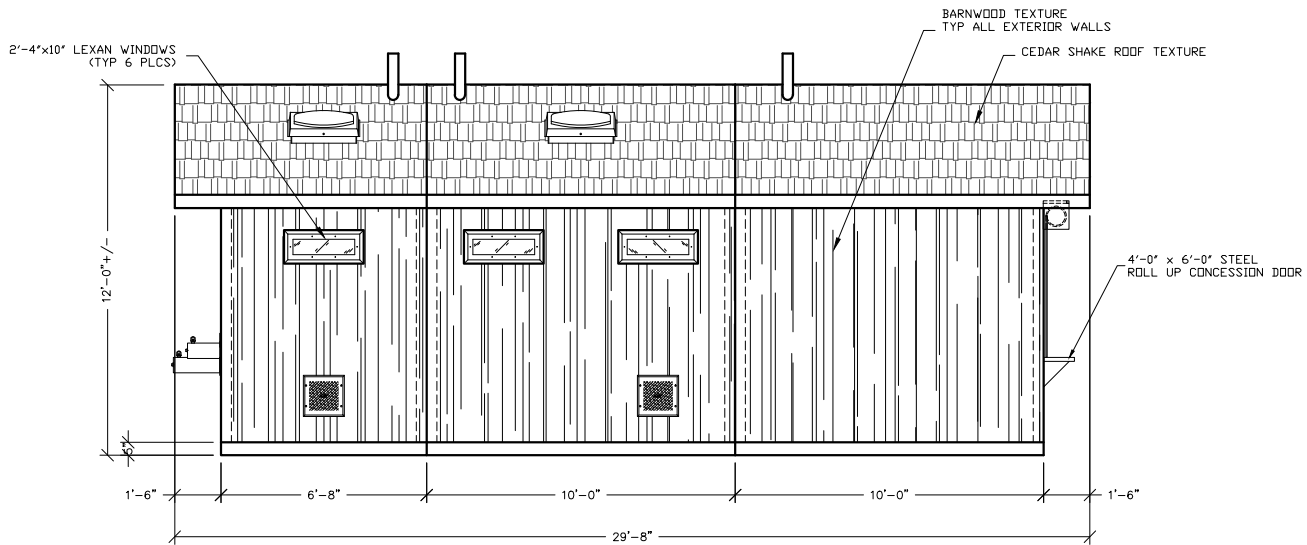
PROJECT FILE
MALIBU
CXT STANDARD BUILDING

NOTICE
The information contained herein is proprietary and the exclusive property of CXT Incorporated. The information may only be used by the original recipient for the purpose intended. Reproduction or distribution of this information is strictly prohibited without the prior written consent of CXT Incorporated. By allowing use of this information, CXT Incorporated grants no warranty, express or implied, including a warranty of merchantability or fitness for a particular purpose.

REV.	DESCRIPTION	DATE	APPROVED	DATE
SCALE	1/4"=1'-0"	DATE	06-18-10	
DRAWN	FILE NO.	PLOT	90-MB04	
CHECKED			48	

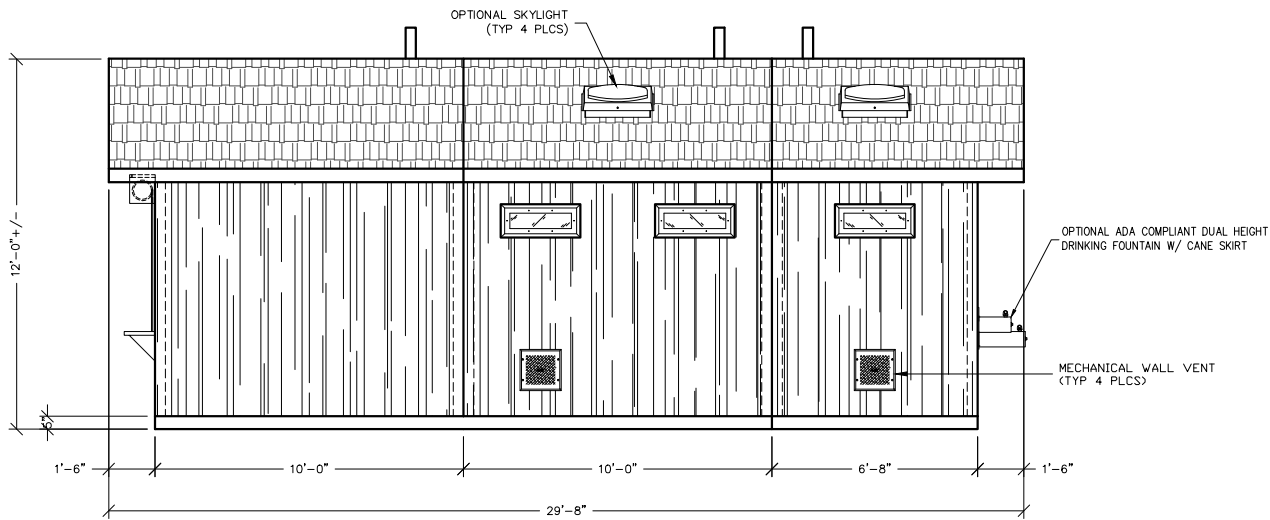
BUILDING ELEVATIONS

DWG NO.	SHEET	REV.
MB-04		



RH SIDE ELEVATION

FOR REFERENCE ONLY



LH SIDE ELEVATION

3808 N. Sullivan Bldg. #7 Spokane, WA 99216

CXT
Precast Products

PROJECT TITLE
MALIBU
CXT STANDARD BUILDING

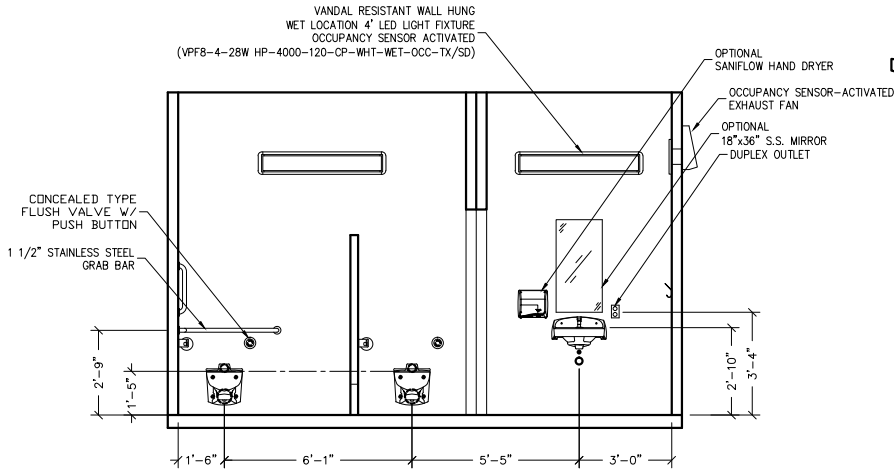
NOTICE
The information contained herein is proprietary and the exclusive property of CXT Incorporated. The information may only be used by the original recipient for the purpose intended. Reproduction or distribution of this information is strictly prohibited without the prior written consent of CXT Incorporated. By allowing use of this information, CXT Incorporated grants no warranty, express or implied, including a warranty of merchantability or of fitness for a particular purpose.

REV.	DESCRIPTION	APPROVAL	DATE
SCALE	1/4"=1'-0"	DATE	06-10-18
DRAWN	FILE NO.		PO-MB05
CHECKED	PLOT		48

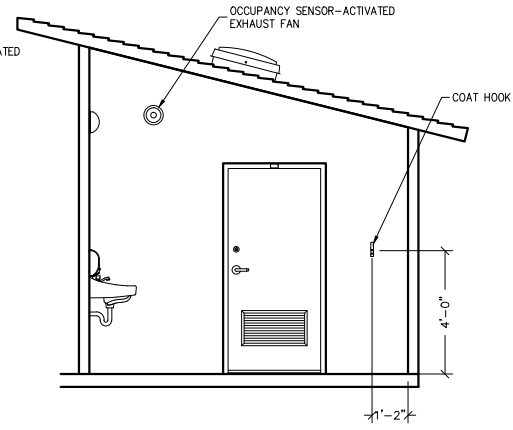
BUILDING ELEVATIONS

DWG NO.	SHEET	REV.
MB-05		

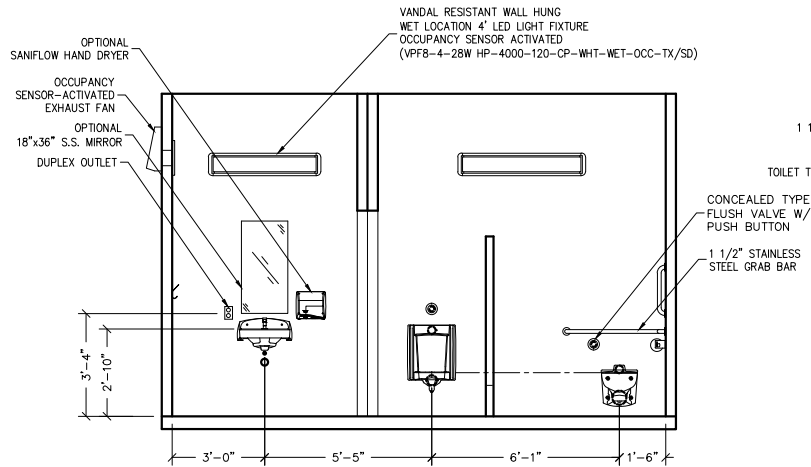
FOR
REFERENCE
ONLY



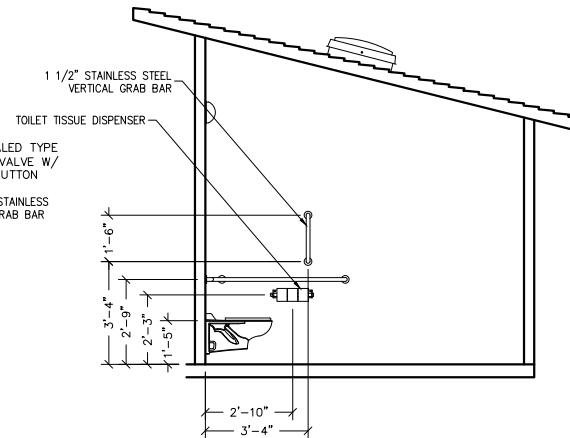
INTERIOR ELEVATION - WOMEN'S RESTROOM



INTERIOR ELEVATION - WOMEN'S RESTROOM
MENS OPPOSITE HAND



INTERIOR ELEVATION - MEN'S RESTROOM



INTERIOR ELEVATION - MEN'S RESTROOM
WOMENS OPPOSITE HAND

3808 N. Sullivan Bldg. #7 Spokane, WA 99216

CXT
Precast Products
901 N. Highway 77 Hillboro, TX 76645

PROJECT FILE
MALIBU
CXT STANDARD BUILDING

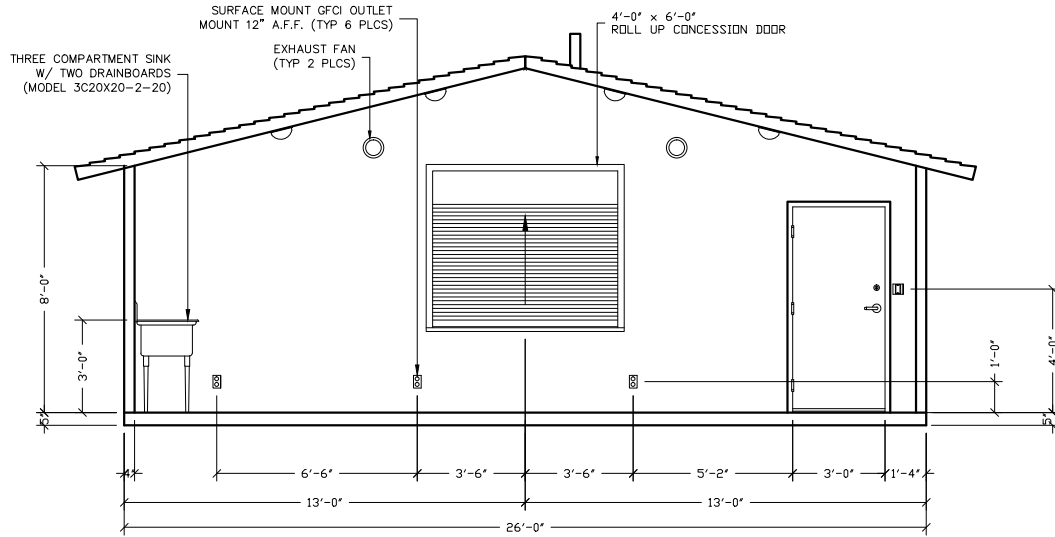
NOTICE
The information contained herein is proprietary and the exclusive property of CXT Incorporated. The information may only be used by the original recipient for the purpose intended. Reproduction or distribution of this information is strictly prohibited without the prior written consent of CXT Incorporated. By allowing use of this information, CXT Incorporated grants no warranty, express or implied, including a warranty of merchantability or of fitness for a particular purpose.

REV.	DESCRIPTION	DATE	APPROVAL	DATE
SCALE	1/4"=1'-0"	DATE	06-10-18	
DRAWN	FILE NO.	90-MDSG		
CHECKED	PLOT	48		

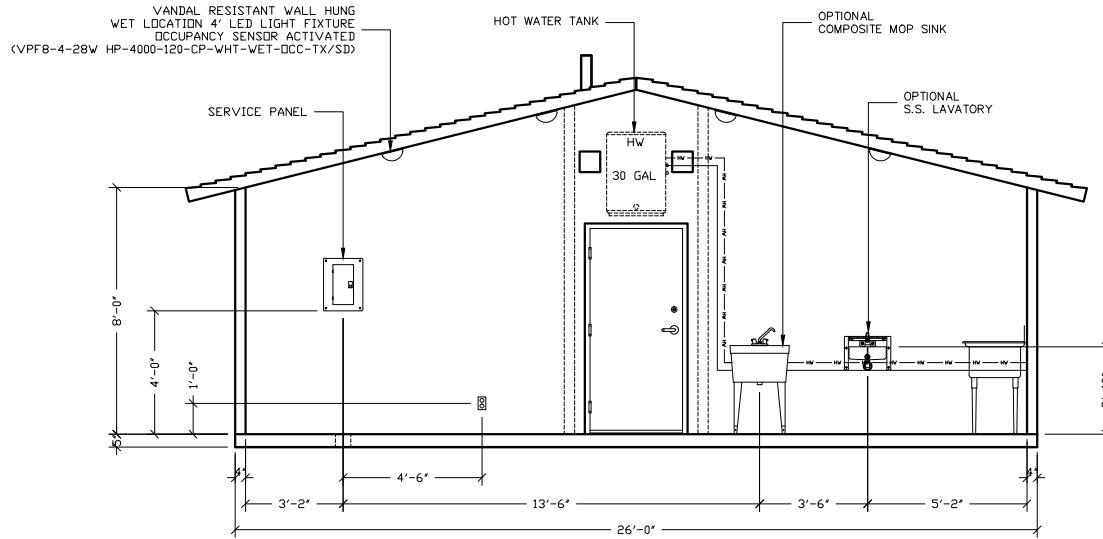
INTERIOR ELEVATIONS

DWG NO. SHEET REV.

MB-06



CONCESSION FRONT WALL INTERIOR ELEVATION



CONCESSION BACK WALL INTERIOR ELEVATION

FOR
REFERENCE
ONLY

3808 N. Sullivan Bldg. #7 Spokane, WA 99216



901 N. Highway 77 Hillsboro, TX 76645

PROJECT NAME
MALIBU
CXT STANDARD BUILDING

NOTICE
The information contained herein is proprietary and the exclusive property of CXT Incorporated. The information may only be used by the original recipient for the purpose intended. Reproduction or distribution of this information is strictly prohibited without the prior written consent of CXT Incorporated. By ordering use of this information, CXT Incorporated grants no warranty, express or implied, including a warranty of merchantability or of fitness for a particular purpose.

REV.	DESCRIPTION	APPROVED	DATE
SCALE:	1/4"=1'-0"	DATE:	06-10-16
DRAWN:		FILE NO.:	P2-MB07
CHECKED:		PLOT:	48

CONCESSION
INTERIOR ELEVATIONS

DWG NO. MB-07 SHEET REV.