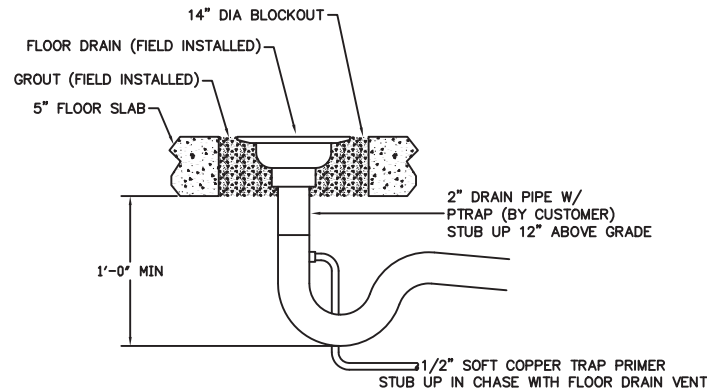
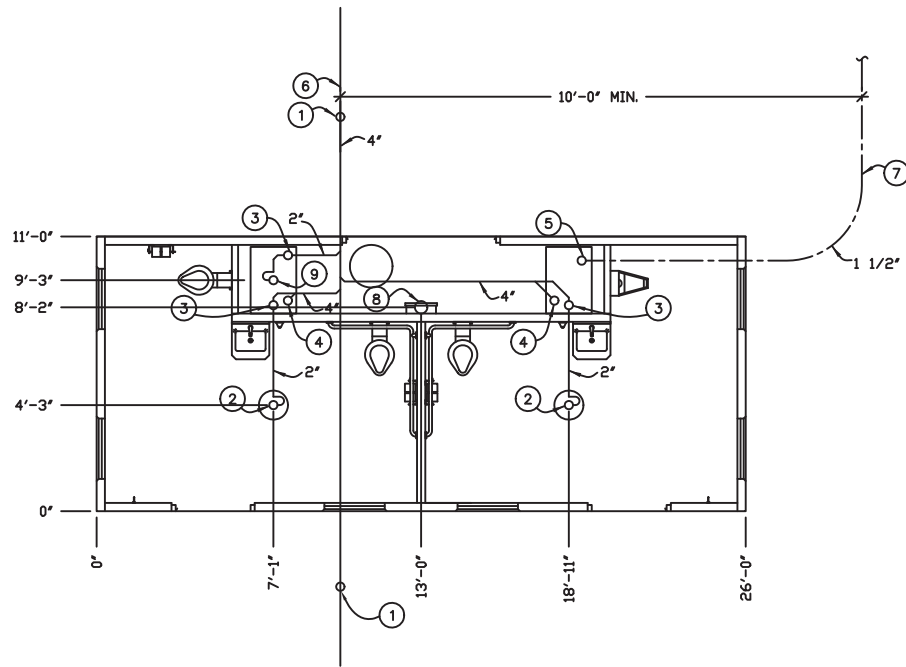


THIS DRAWING IS SUPPLIED FOR REFERENCE ONLY. PLEASE CONTACT CXT ENGINEERING DEPARTMENT FOR BUILDING SPECIFIC CONTROLLED DOCUMENTS PRIOR TO ANY FIELD WORK.

ALL PIPING INDICATED ON THIS SHEET IS NOT BY CXT



FLOOR DRAIN DETAIL



FLOOR DRAIN BLOCKOUTS & BELOW FLOOR PIPING

1/4"=1'-0"

BELOW FLOOR PIPING - KEY NOTES

- 4" CLEAN OUT TO GRADE.
- 2" FLOOR DRAIN. FIELD INSTALLED TRAP PRIMER SYSTEM IF REQUIRED BY AUTHORITY HAVING JURISDICTION. (14" Ø BLOCKOUT)
- 2" VENT PIPES EXTENDED 12" ABOVE FINISHED FLOOR LEVEL, PROVIDE TEST PLUG. (1'-10"x2'-8" BLOCKOUT)
- 4" WASTE PIPE EXTENDED 12" ABOVE FINISHED FLOOR LEVEL, PROVIDE TEST PLUG. (1'-10"x2'-8" BLOCKOUT)
- 1 1/2" TYPE K ANNEALED "SOFT" COPPER WATER SERVICE EXTENDED 12" ABOVE FINISHED FLOOR LEVEL, PROVIDE CAP AT END. (1'-10"x2'-8" BLOCKOUT)
- 30" MIN. BURY, PROVIDE TRACER TAPE.
- MIN. BURY PER LOCAL REQUIREMENTS TO PROTECT FROM FREEZING AND DAMAGE.
- ELECTRICAL STUB UP, (6" Ø BLOCKOUT)
- 2" FLOOR DRAIN. FIELD INSTALLED TRAP PRIMER SYSTEM IF REQUIRED BY AUTHORITY HAVING JURISDICTION. (1'-10"x2'-8" BLOCKOUT)

PIPING LEGEND

- BELOW FLOOR WASTE PIPING SCH 40 ABS TYPE DWV
- 1 1/2" TYPE "K" ANNEALED "SOFT" COPPER WATER SERVICE
- BELOW FLOOR VENT PIPING SCH 40 ABS TYPE DWV

FOR REFERENCE ONLY



6707 E. Flamingo Ave. Bldg 300, Nampa, ID 83687  
901 N. Highway 77 Hillsboro, TX 76645  
362 Waverly Road Williamstown, WV 26187

PROJECT TITLE  
**DAKOTA**  
CXT STANDARD BUILDING

NOTICE

The information contained herein is proprietary and the exclusive property of CXT Incorporated. The information may only be used by the original recipient for the purpose intended. Reproduction or distribution of this information is strictly prohibited without the prior written consent of CXT Incorporated. By allowing use of this information, CXT Incorporated grants no warranty, express or implied, including a warranty of merchantability or of fitness for a particular purpose.

CXT Incorporated

REV.	DESCRIPTION	DATE	BY

FLOOR DRAIN LOCATIONS & BELOW FLOOR PIPING

DWG NO.	SHEET	REV.
DK-19	19	24