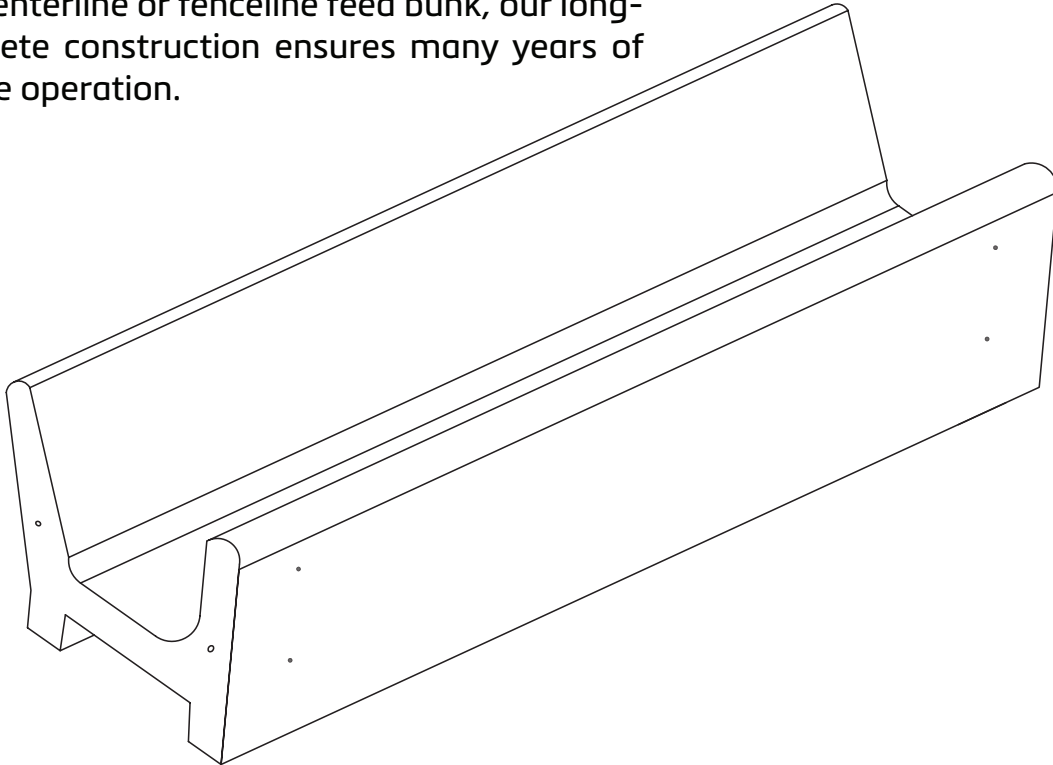


Precast Concrete Feed Bunks

the worry-free choice for feeding livestock

The durability of precast concrete feed bunks provides lower annual cost than other materials. Whether you choose the centerline or fenceline feed bunk, our long-lasting concrete construction ensures many years of cost-effective operation.



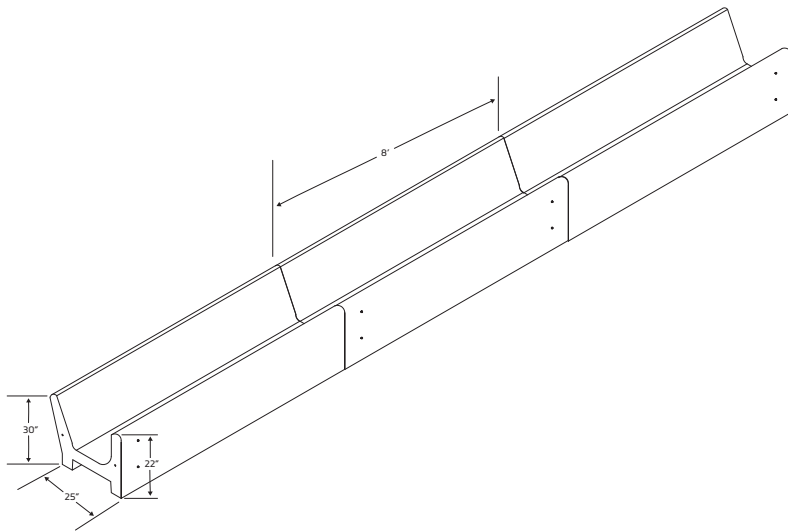
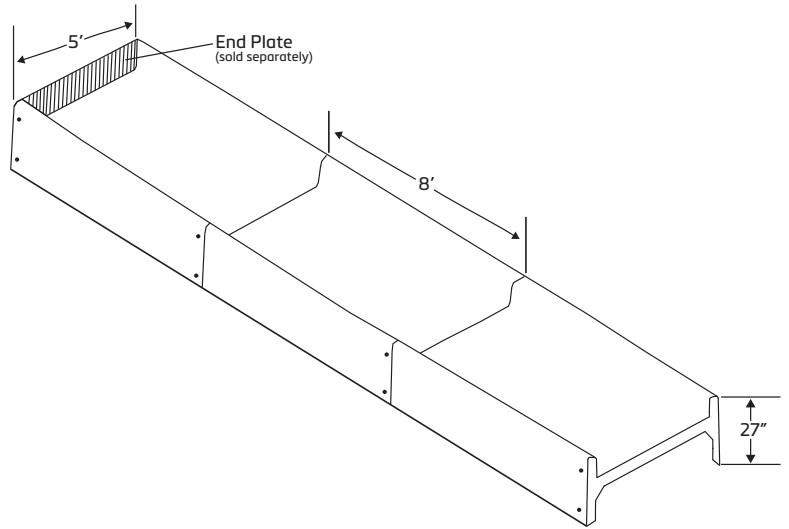
- > **Protects livestock from injury**
Our precast feed bunks feature smooth, rounded corners and edges, and a hard-finished surface that reduces the possibility of injury.
- > **Thorough feed cleanup**
The all-contour design and finished surface lets your livestock feed with minimal effort, ensuring healthier, more productive animals. Reduced spoilage and easy cleanup can provide savings in time, labor, and cost.
- > **Strong and durable**
Our steel-reinforced precast concrete will provide many years of service without decay, rot or rust.
- > **Easy to install and movable**
Minimal installation requirements allow for easy relocation. Mounting restraints or attaching fencing is made easy by cast-in-place inserts provided on the front of the feed bunk. Additional sections, automatic equipment, and roof supports can also be added.

DATASHEET

FEED BUNKS the worry-free choice for feeding livestock

Centerline

- > 4" post holes on inside of bunk or no holes and 1/2" standard bolt inserts on outside for mounting fencing.
- > Reinforced with 100' of 3/8" steel.
- > Concrete end plates available.
- > 5000 psi concrete with smooth aggregate.



Fenceline

- > Cast in place bolt inserts for fence mounting.
- > Reinforced with 70' of 3/8" steel.
- > 5000 psi concrete with smooth aggregate.

Specifications

	Fenceline		Centerline
Length	8'	Length	8'
Width	2' 1" up to 2' 11"	Outside Width	5'
Weight	2350 lb	Weight	3500 lb