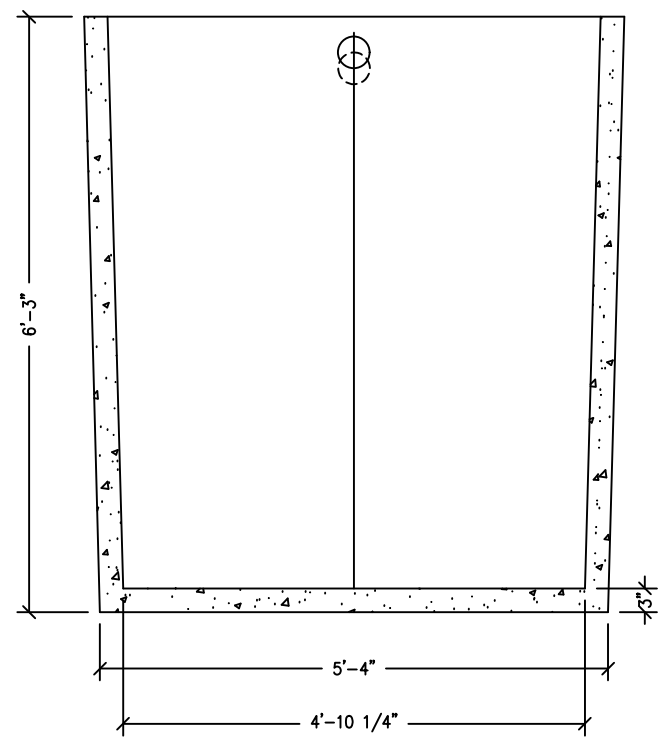
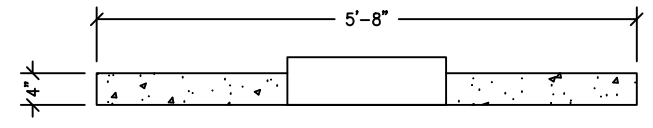
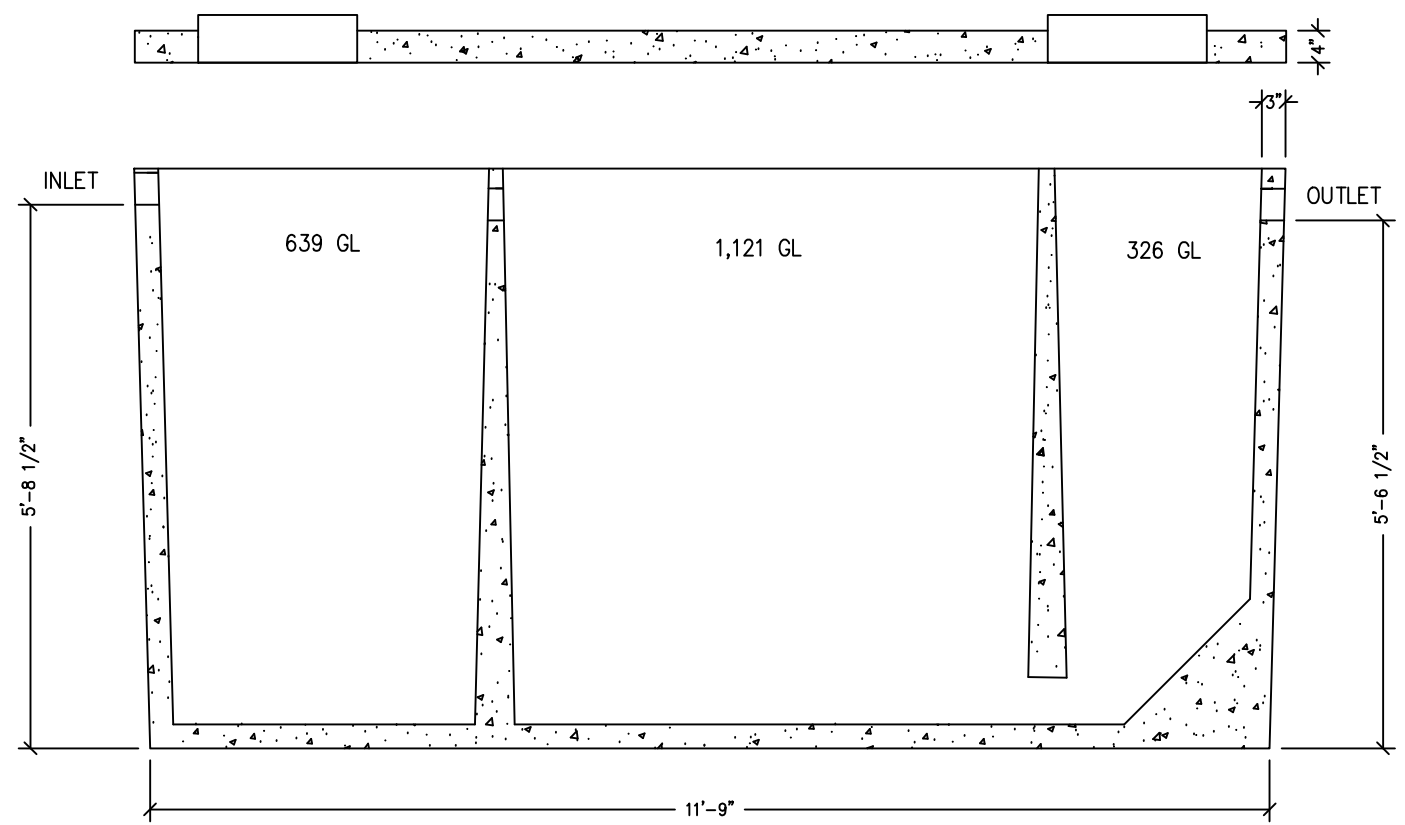


PLAN VIEW



END VIEW



ELEVATION VIEW

- NOTES:
1. 28-DAY COMPRESSION STRENGTH = 5000 psi
  2. ALL REINFORCING STEEL IS TO BE UNCOATED GRADE 60
  3. 4" LID TO BE REINFORCED WITH #4 REBAR
  4. WEIGHT = 17,220 LBS.

CXT INCORPORATED  
CONTROLLED COPY  
IF THIS STATEMENT IS NOT PRINTED  
IN RED, DOCUMENT MAY NOT BE CURRENT  
ISSUED FOR PRODUCTION BY: Michael C. Tolman

**CXT**  
**Precast Products**  
6701 E Flamingo Ave Bldg 300 Nampa, ID 83687  
901 N. Highway 77 Hillsboro, TX 76645  
362 Waverly Road Williamstown, WV 26187

PROJECT TITLE  
**2000 GL**

NOTICE  
The information contained herein is proprietary and the exclusive property of CXT Incorporated. The information may only be used by the original recipient for the purpose intended. Reproduction or distribution of this information is strictly prohibited without the prior written consent of CXT Incorporated. By allowing use of this information, CXT Incorporated grants no warranty, express or implied, including a warranty of merchantability or of fitness for a particular purpose.

CXT Incorporated


REV.	DESCRIPTION	APPROVAL	DATE
SCALE	1/2" = 1'-0"	DATE	5/20/21
DRAWN	MR	FILE NO.	
CHECKED	MCT	PLOT	24

2000 GL

DWG NO.	SHEET	REV.
2000 GL	1	1