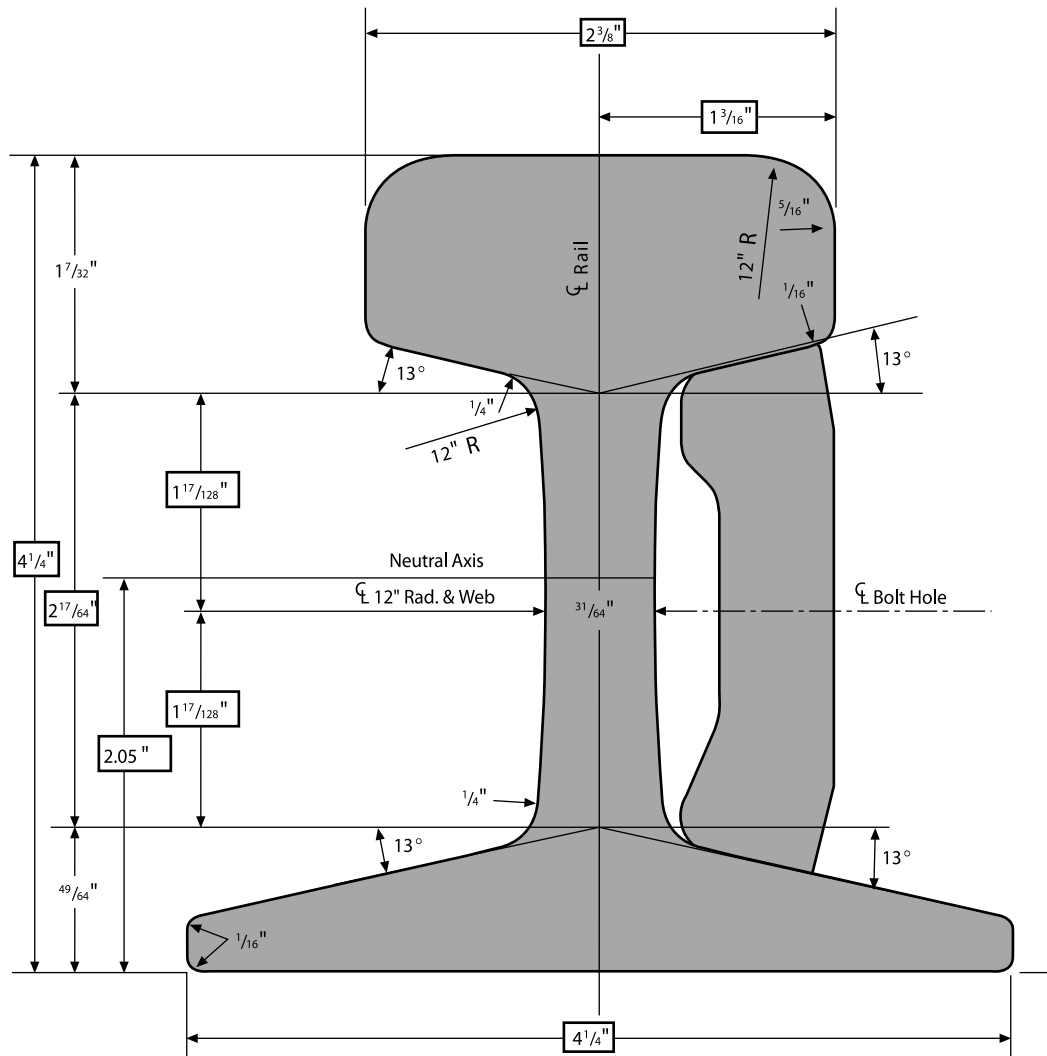


60-lb A.S.C.E. specifications

Scale: Drawing is actual size



SPLICE BAR					RAIL (30 FT, 33 FT, 39 FT, 40 FT)	
20-1/8" length, 14.2 lbs. per pair. 3/4" x 3-3/4" button head, oval neck track bolt with heavy square nut.					Area In ²	5.93
	30 FT	33 FT	39 FT	40 FT	Sec. Modulus In ³ Head	6.62
LBS/FT (Nominal)	8.4	8.4	8.4	8.4	Base	7.10
Pairs					Mom. Inertia In ⁴	14.56
Net Ton	3.3	3.0	2.6	2.5	Lbs/Yd (Nominal)	60.0
Mile of Track	352.0	320.0	270.0	264.0	Track Feet/Net Ton	50.0
ANGLE BARS 20"					Net Tons/Track Mile	105.6
27.2 lbs. per pair						
Full Toe Angle Bars Also Available						