

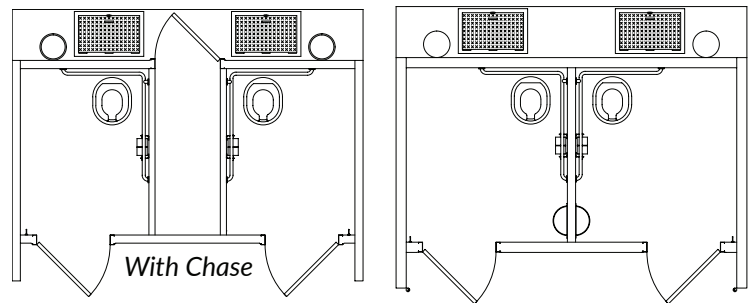
Precast Concrete Buildings VAULT WATERLESS RESTROOMS



CXT® manufactures precast concrete restroom, shower, concession, and multipurpose buildings for use in parks and recreational sites nationwide.

DOUBLE VAULT RESTROOMS - 11' 11" X 14' 4"

Double Cascadian



Tioga



Double Rocky Mountain



Sweet Smelling Technology

- Designed and placed to ensure an unobstructed airflow over the top of the vent stack for passive ventilation.
- The location of the wall vent and orientation of the building takes advantage of the unobstructed airflow.
- The positive continual air flow carries the vault air out through the vent pipe keeping the building odor-free.

SINGLE VAULT RESTROOMS - 6' 6" X 14' 8"

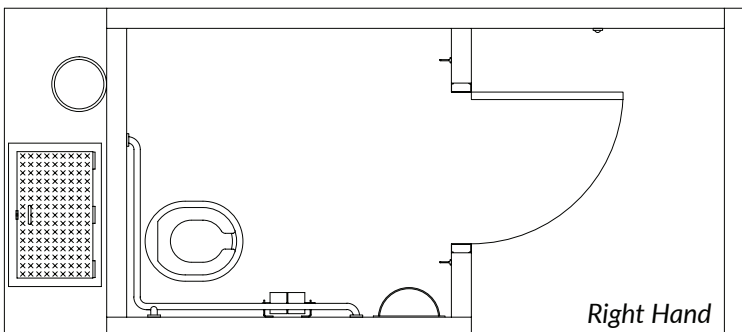
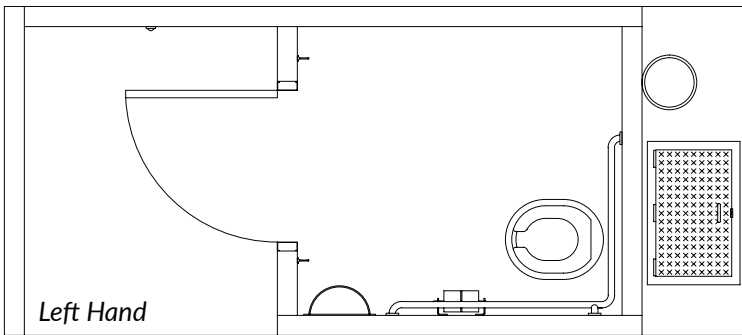
Cascadian



Gunnison



Rocky Mountain



> Simple to Install

Minimal site preparation is required and buildings can typically be in use on the day of installation.

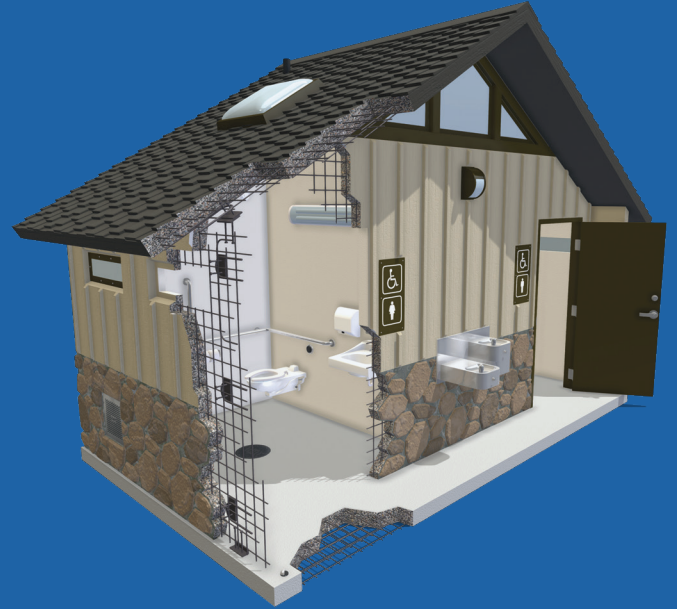
> Ready to Use

Prefabricated and delivered complete and ready to use.

> Easy to Maintain

Interiors are designed to resist abusive wear and can be quickly cleaned with warm soapy water and a brush.

CXT buildings are manufactured with high-strength precast concrete floors, walls, and roofs and can withstand extreme conditions caused by flood, snow, wind, and zone-4 seismic loads.



Cooperative Contracts

GSA Contract #47QSWA23D009W

E&I Cooperative Services Contract #CR001294

Sourcewell Contract #081721-CXT

TIPS Contract #240202



800.696.5766
sales@lbfooster.com
www.cxtinc.com