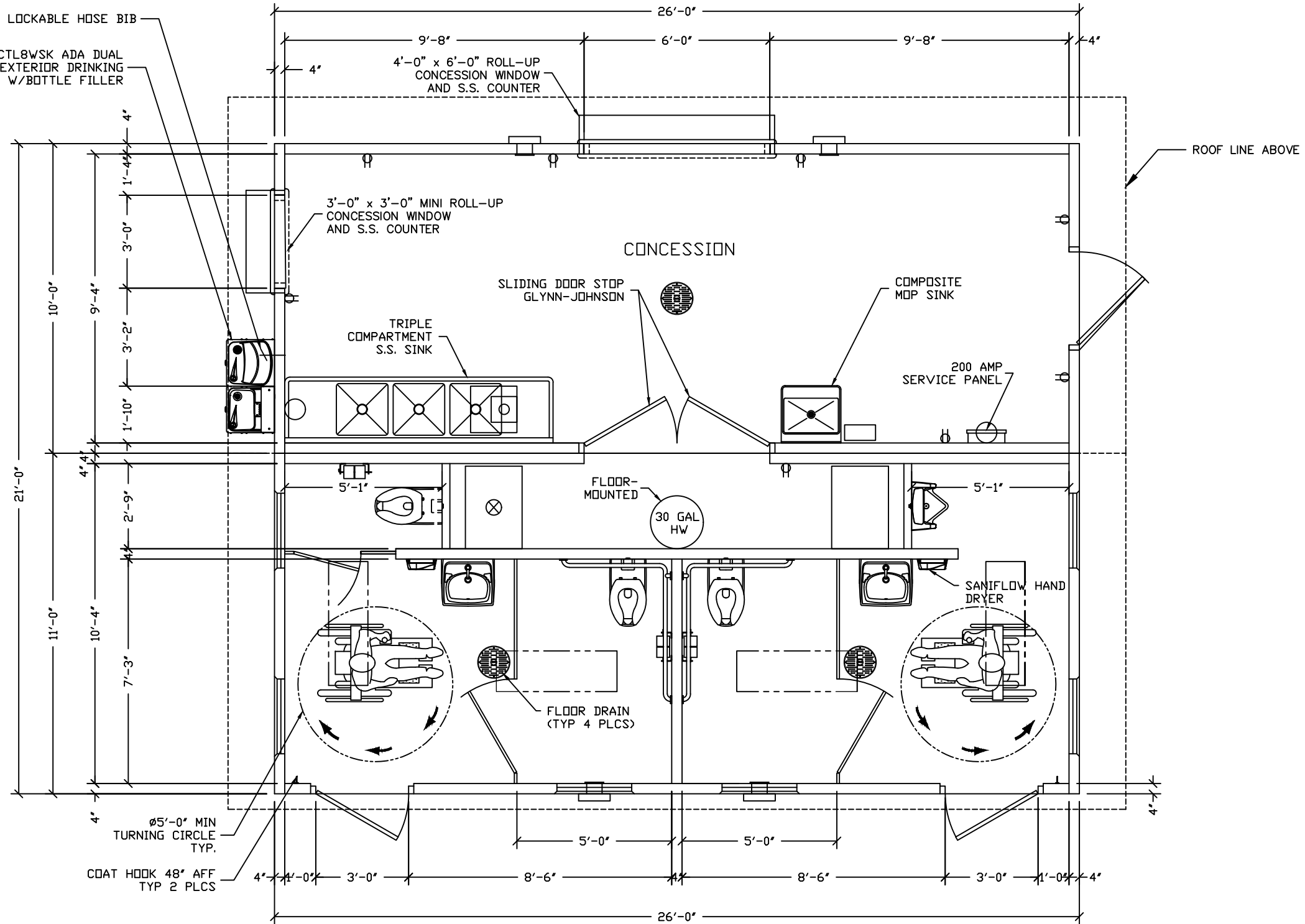


WOODFORD B-65 LOCKABLE HOSE BIB

ELKAY VRCTLBWSK ADA DUAL HEIGHT EXTERIOR DRINKING FOUNTAIN W/BOTTLE FILLER



Ø5'-0" MIN TURNING CIRCLE TYP.

COAT HOOK 48" AFF TYP 2 PLCS

NOTE: ELECTRICAL AND PLUMBING COMPONENTS ARE SHOWN FOR GENERAL ARRANGEMENT ONLY. SEE SHEETS KS-29 THRU KS-33 FOR COMPLETE SYSTEM DESCRIPTIONS.



**Precast Products**

6707 E. Flamingo Ave. Bldg 300, Nampa, ID 83687  
901 N. Highway 77 Hillsboro, TX 76645  
362 Waverly Road Williamstown, WV 26187

PROJECT TITLE  
**KEYSTONE**  
BUILDING NUMBER KS-011

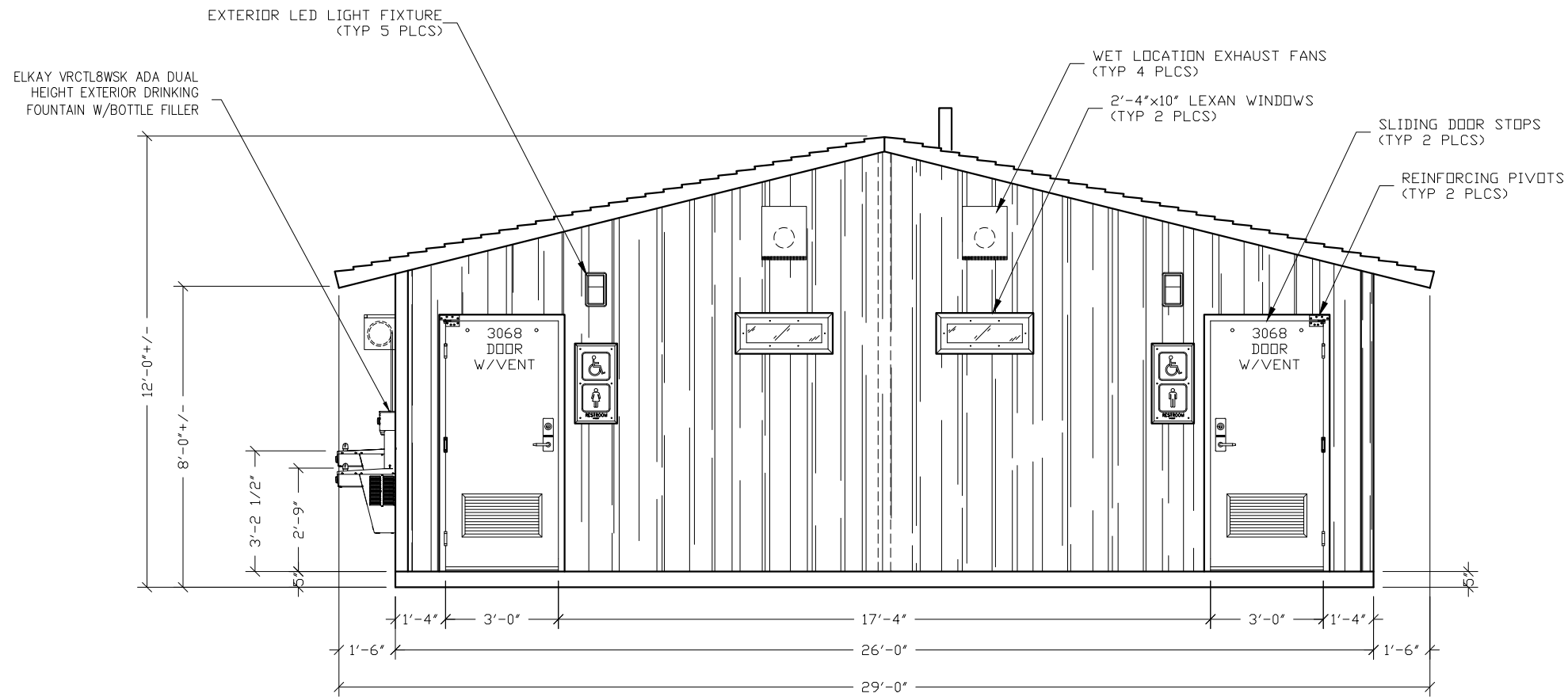
NOTICE  
The information contained herein is proprietary and the exclusive property of CXT Incorporated. The information may only be used by the original recipient for the purpose intended. Reproduction or distribution of this information is strictly prohibited without the prior written consent of CXT Incorporated. By allowing use of this information, CXT Incorporated grants no warranty, express or implied, including a warranty of merchantability or of fitness for a particular purpose.

CXT Incorporated			

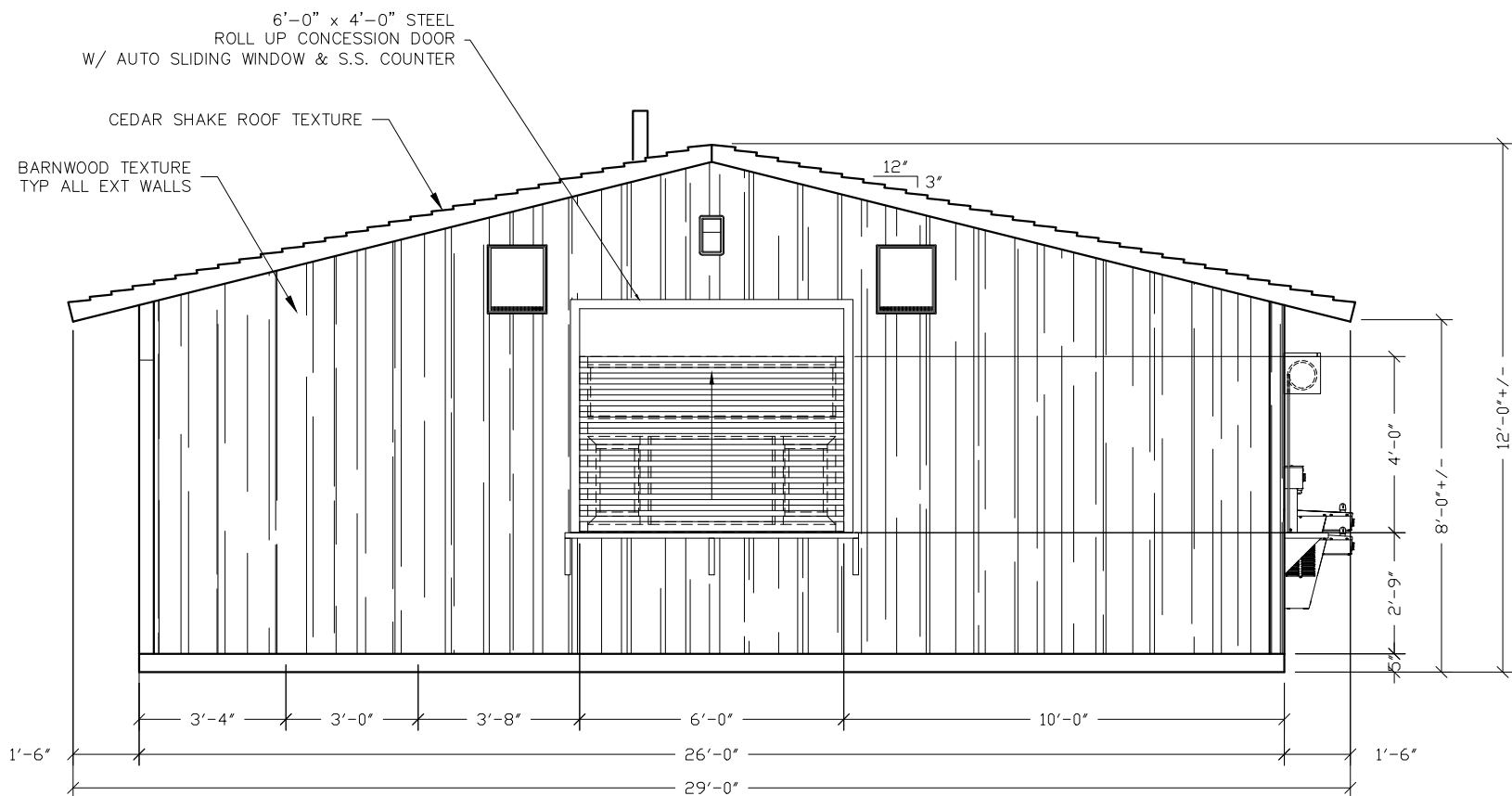
REV.	DESCRIPTION	APPROVAL	DATE
SCALE	1/4"=1'-0"	DATE	4-24-20
DRAWN	FMS	FILE NO.	KS-011
CHECKED	MCT	PLOT	48

**FLOOR PLAN**

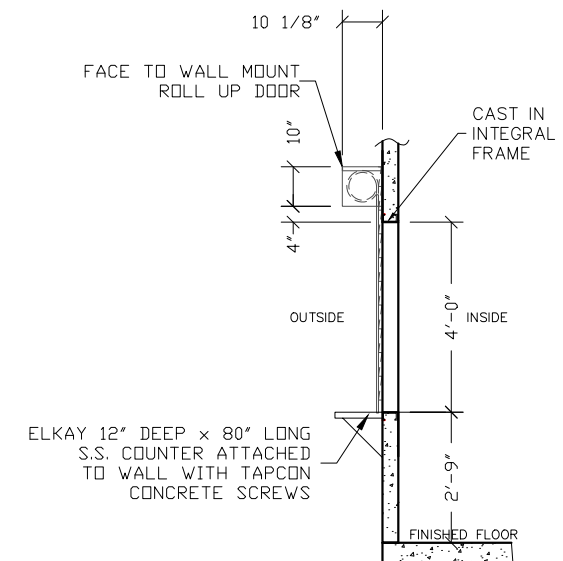
DWG NO.	SHEET	REV.
KS-03	3	34



FRONT ELEVATION



REAR ELEVATION



EXTERIOR ROLL UP 4'-0" x 6'-0" DOOR DETAIL



**CXT**  
Precast Products

6707 E. Flamingo Ave. Bldg 300, Nampa, ID 83687  
901 N. Highway 77 Hillsboro, TX 76645  
362 Waverly Road Williamstown, WV 26187

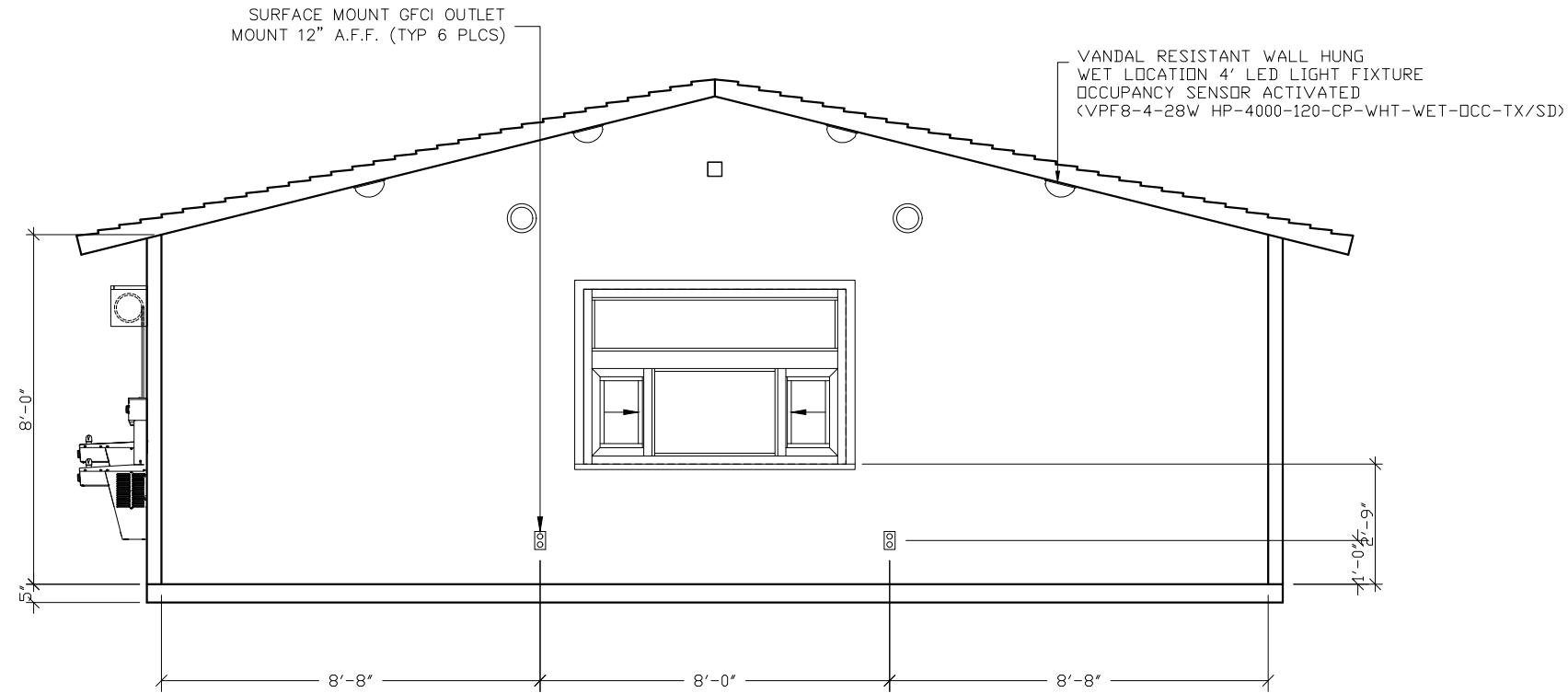
PROJECT TITLE  
**KEYSTONE**  
BUILDING NUMBER KS-011

NOTICE  
The information contained herein is proprietary and the exclusive property of CXT Incorporated. The information may only be used by the original recipient for the purpose intended. Reproduction or distribution of this information is strictly prohibited without the prior written consent of CXT Incorporated. By allowing use of this information, CXT Incorporated grants no warranty, express or implied, including a warranty of merchantability or of fitness for a particular purpose.  
CXT Incorporated

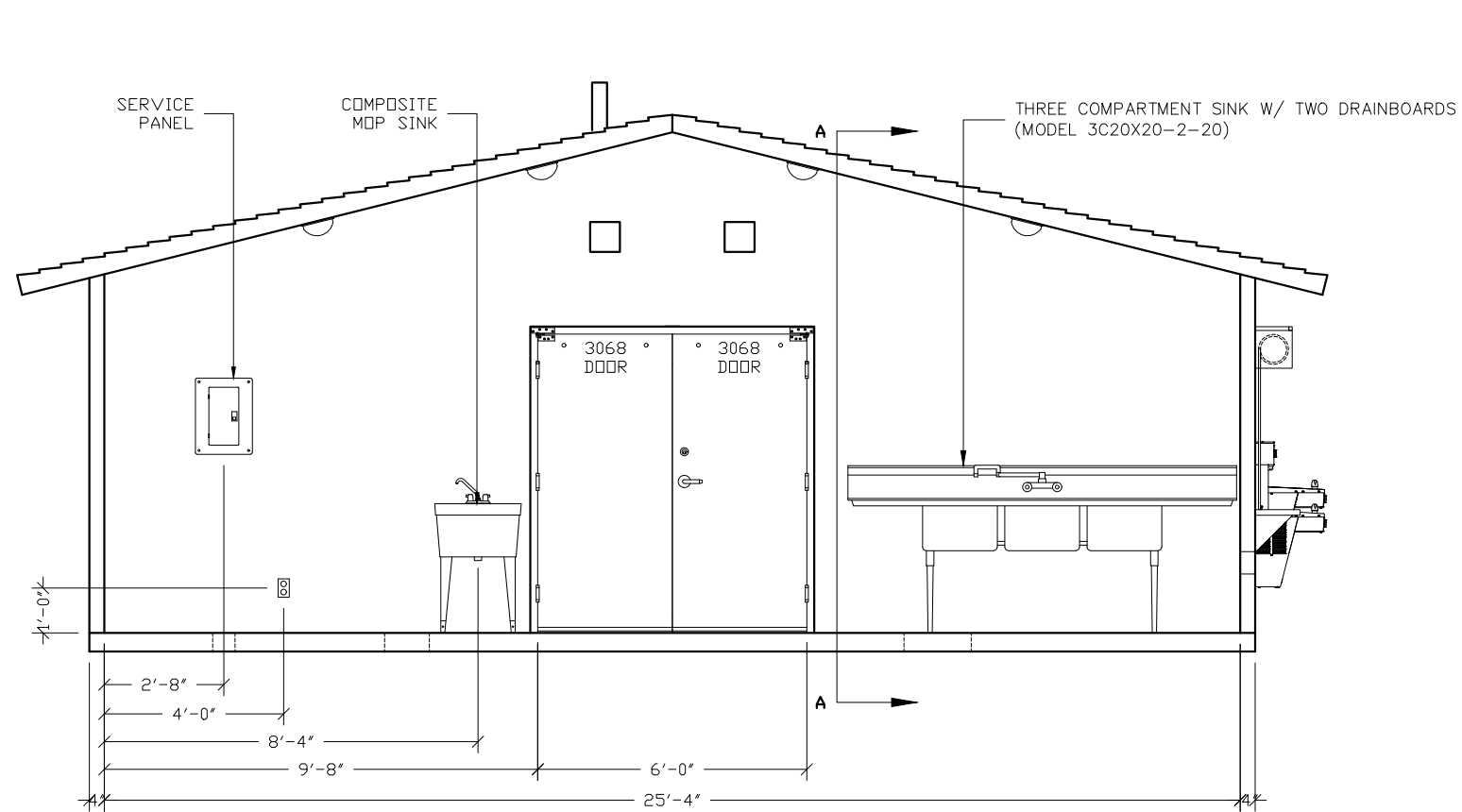
REV.	DESCRIPTION	APPROVAL	DATE
SCALE	1 1/4"=1'-0"	DATE	4-24-20
DRAWN	FMS	FILE NO.	KS-011
CHECKED	MCT	PLOT	48

BUILDING ELEVATIONS

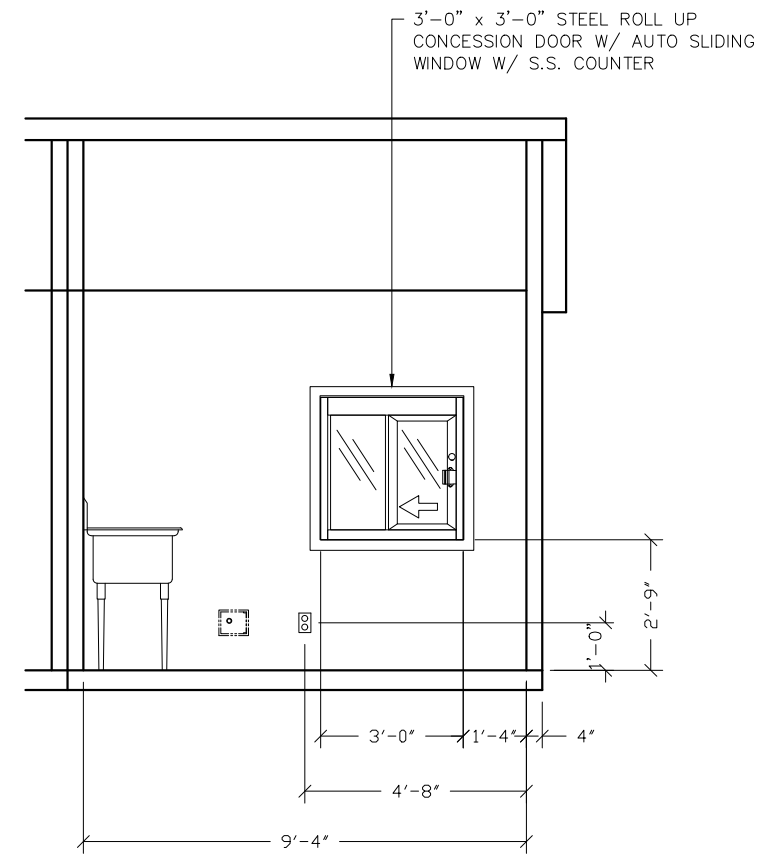
DWG NO.	SHEET	REV.
KS-04	4	34



**INTERIOR ELEVATION - REAR VIEW**  
CONCESSION SECTION



**INTERIOR ELEVATION - FRONT VIEW**  
CONCESSION SECTION



**SECTION VIEW A-A**



**Precast Products**

6707 E. Flamingo Ave. Bldg 300, Nampa, ID 83687  
901 N. Highway 77 Hillsboro, TX 76645  
362 Waverly Road Williamstown, WV 26187

PROJECT TITLE  
**KEYSTONE**  
BUILDING NUMBER KS-011

NOTICE  
The information contained herein is proprietary and the exclusive property of CXT Incorporated. The information may only be used by the original recipient for the purpose intended. Reproduction or distribution of this information is strictly prohibited without the prior written consent of CXT Incorporated. By allowing use of this information, CXT Incorporated grants no warranty, express or implied, including a warranty of merchantability or of fitness for a particular purpose.

CXT Incorporated

REV.	DESCRIPTION	APPROVAL	DATE

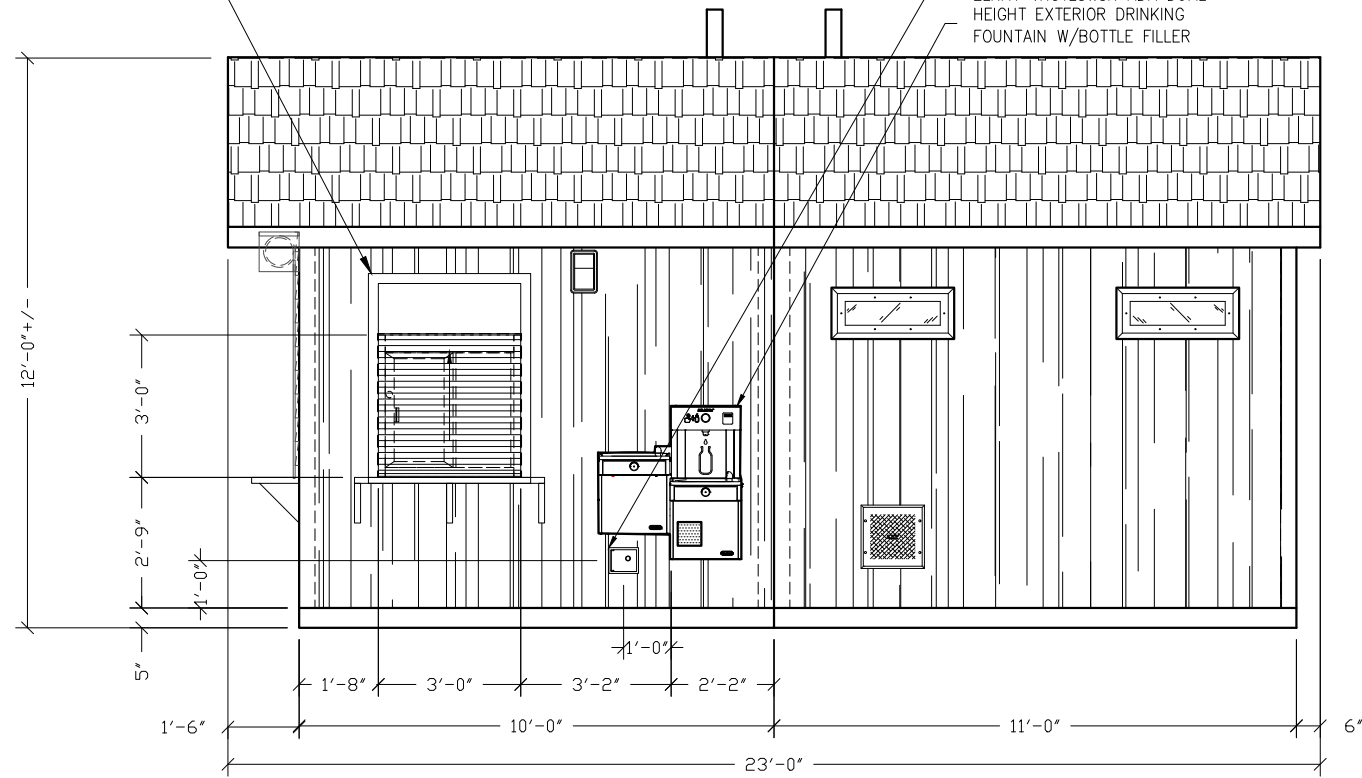
SCALE	DESCRIPTION	DATE	APPROVAL	DATE
1 1/4"=1'-0"		4-24-20		
DRAWN	FMS	FILE NO.	KS-011	
CHECKED	MCT	PLOT	48	

**INTERIOR ELEVATIONS**  
**CONCESSION DETAILS**

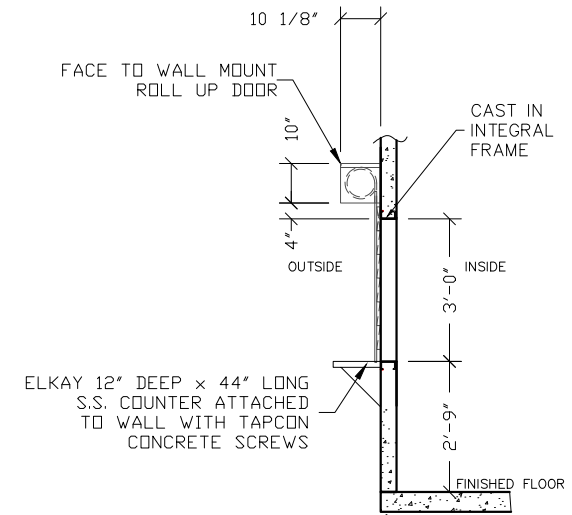
DWG NO.	SHEET	REV.
KS-07	7	
	34	

3'-0" x 3'-0" MINI ROLL-UP  
CONCESSION WINDOW W/ SCREEN  
AND S.S. COUNTER

EXTERIOR LOCKABLE  
HOSE BIB  
ELKAY VRCTL8WSK ADA DUAL  
HEIGHT EXTERIOR DRINKING  
FOUNTAIN W/BOTTLE FILLER



LH SIDE ELEVATION



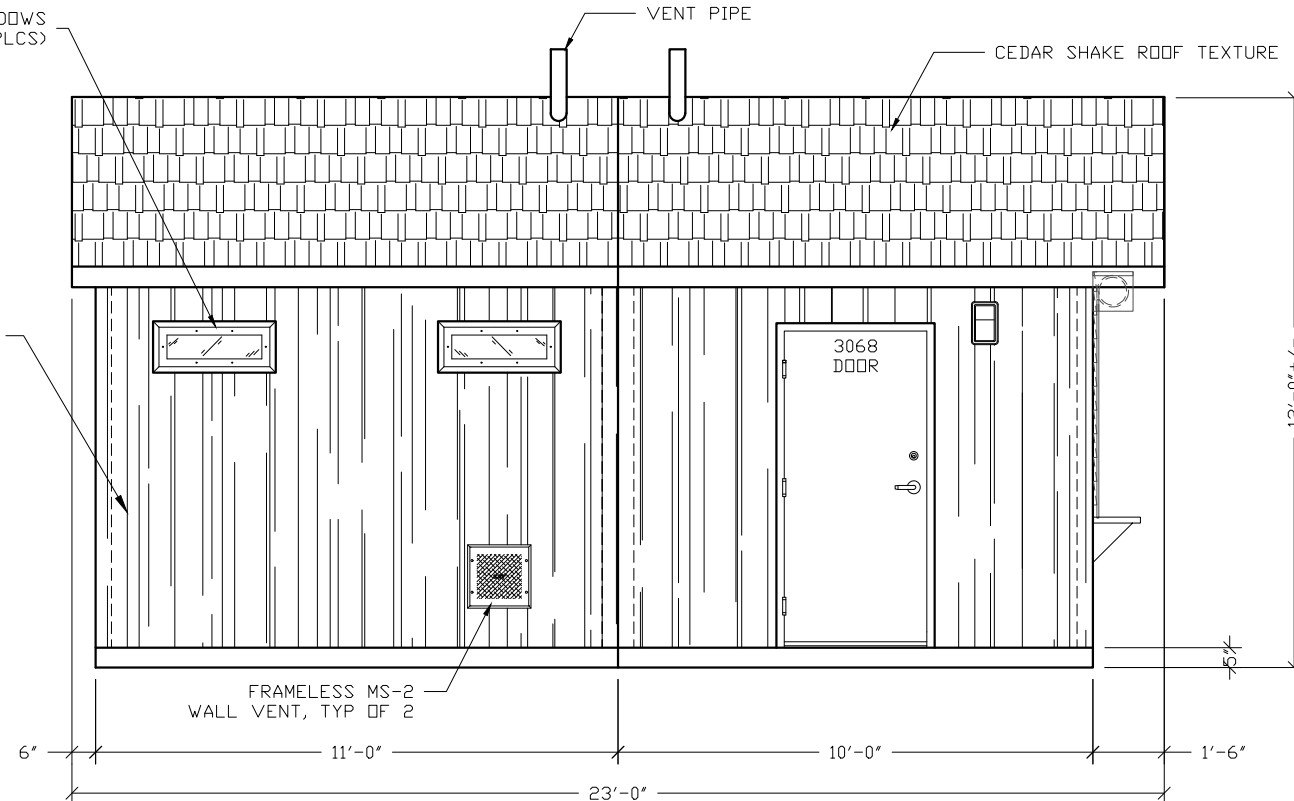
EXTERIOR ROLL UP  
DOOR DETAIL

2'-4"x10" LEXAN WINDOWS  
(TYP 4 PLCS)

VENT PIPE

CEDAR SHAKE ROOF TEXTURE

BARNWOOD TEXTURE  
TYP ALL EXT WALLS



FRAMELESS MS-2  
WALL VENT, TYP OF 2

RH SIDE ELEVATION



**Precast Products**

6707 E. Flamingo Ave. Bldg 300, Nampa, ID 83687  
901 N. Highway 77 Hillsboro, TX 76645  
362 Waverly Road Williamstown, WV 26187

PROJECT TITLE

KEYSTONE

BUILDING NUMBER KS-011

NOTICE

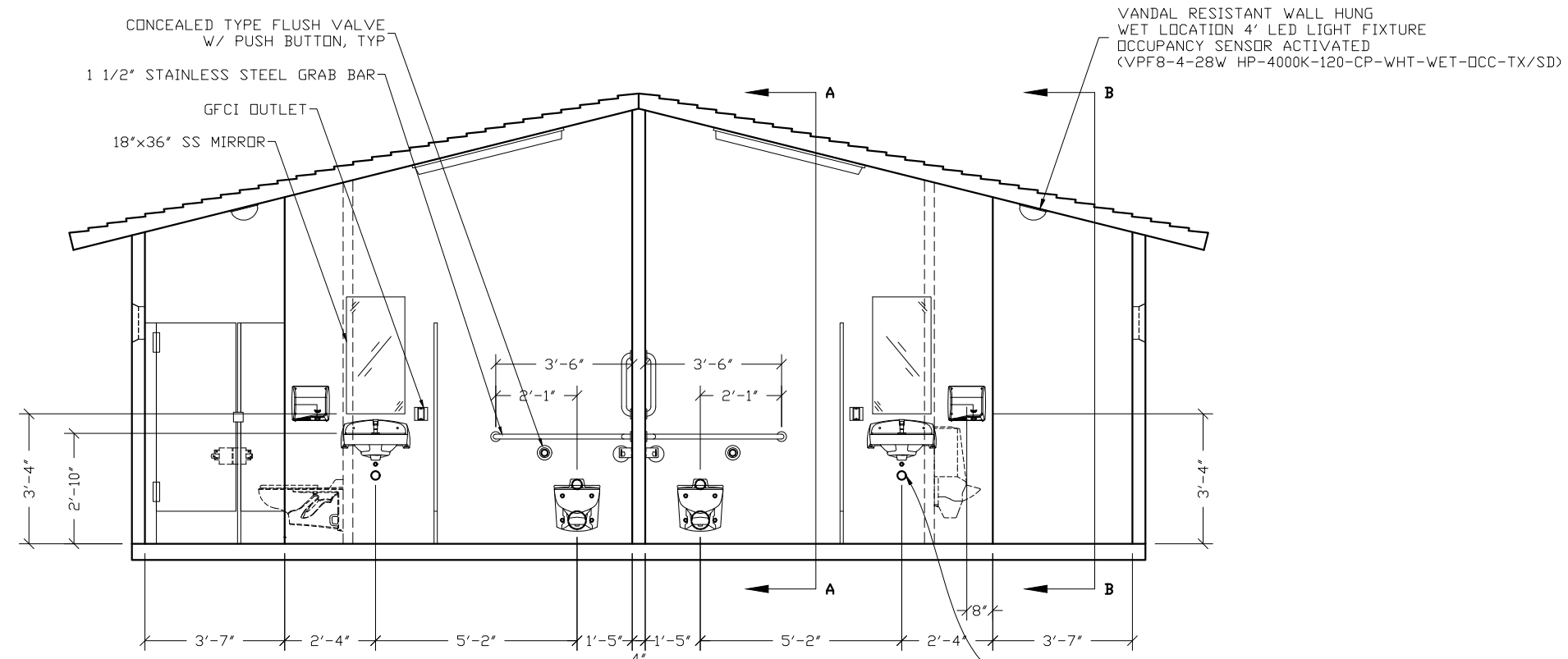
The information contained herein is proprietary and the exclusive property of CXT Incorporated. The information may only be used by the original recipient for the purpose intended. Reproduction or distribution of this information is strictly prohibited without the prior written consent of CXT Incorporated. By allowing use of this information, CXT Incorporated grants no warranty, express or implied, including a warranty of merchantability or of fitness for a particular purpose.

CXT Incorporated

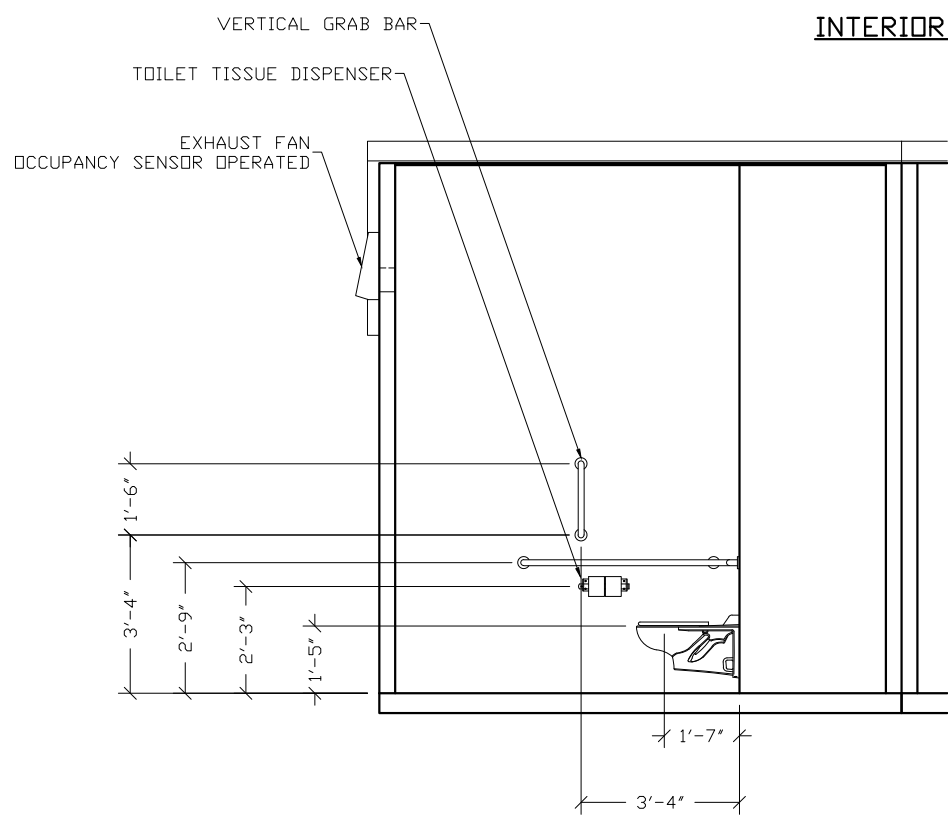
REV.	DESCRIPTION	APPROVAL	DATE
SCALE	1/4"=1'-0"	DATE	4-24-20
DRAWN	FMS	FILE NO.	KS-011
CHECKED	MCT	PLOT	48

BUILDING ELEVATIONS

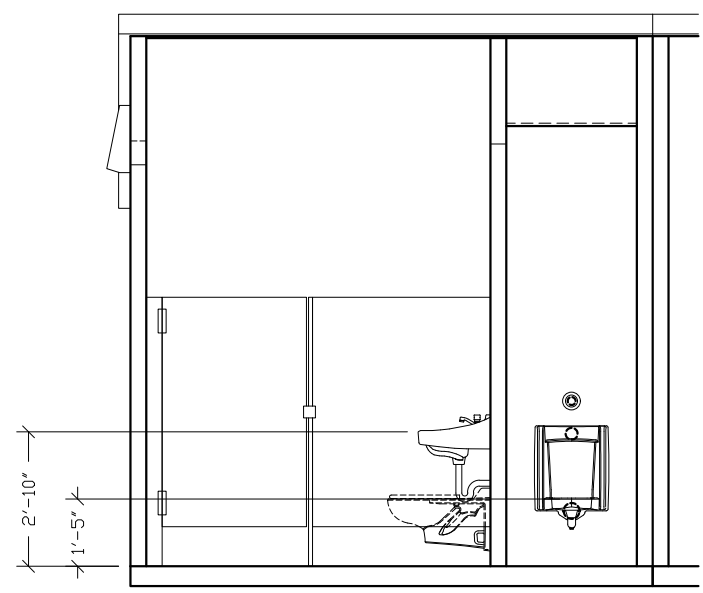
DWG NO.	SHEET	REV.
KS-05	5	34



**INTERIOR ELEVATION - FRONT VIEW**  
RESTROOM SECTION



**SECTION A-A**



**SECTION B-B**

**INTERIOR ELEVATION - MEN'S RESTROOM**  
WOMEN'S OPPOSITE HAND

**CXT**  
Precast Products  
6707 E. Flamingo Ave. Bldg 300, Nampa, ID 83687  
901 N. Highway 77 Hillsboro, TX 76645  
362 Waverly Road Williamstown, WV 26187

PROJECT TITLE  
**KEYSTONE**  
BUILDING NUMBER KS-011

NOTICE  
The information contained herein is proprietary and the exclusive property of CXT Incorporated. The information may only be used by the original recipient for the purpose intended. Reproduction or distribution of this information is strictly prohibited without the prior written consent of CXT Incorporated. By allowing use of this information, CXT Incorporated grants no warranty, express or implied, including a warranty of merchantability or of fitness for a particular purpose.


REV.	DESCRIPTION	APPROVAL	DATE
SCALE	1/4" = 1'-0"	DATE	4-24-20
DRAWN	FMS	FILE NO.	KS-011
CHECKED	MCT	PLOT	48

**INTERIOR ELEVATIONS**  
**RESTROOM DETAILS**

DWG NO.	SHEET	REV.
KS-06	6	34