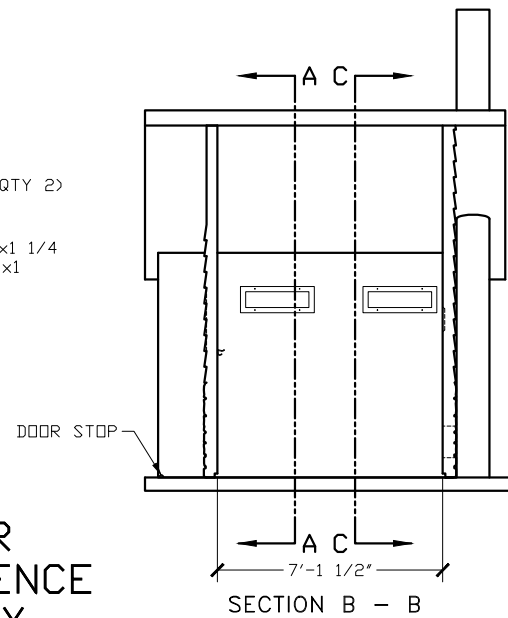
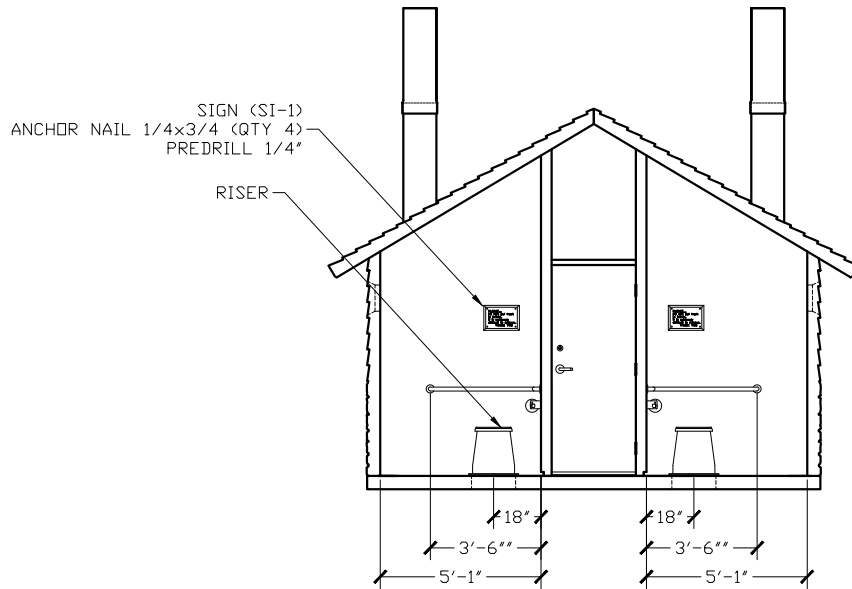


SECTION A - A

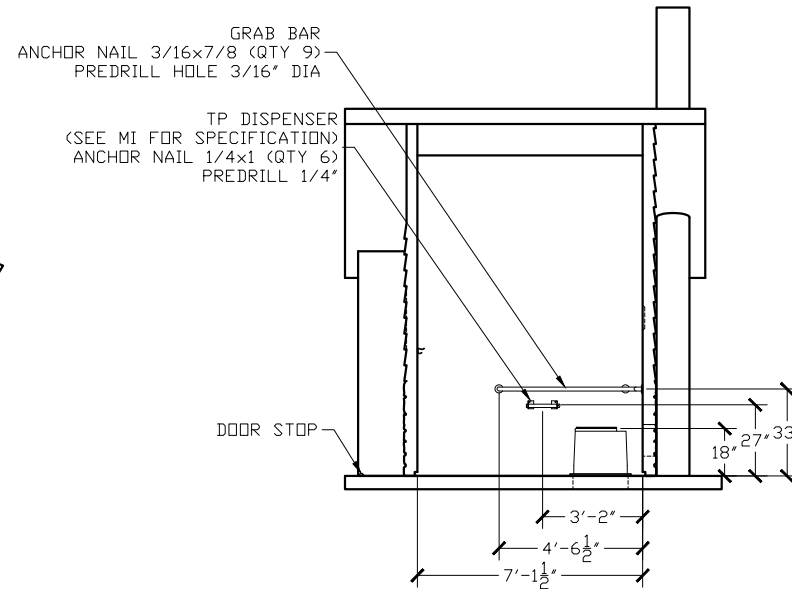


SECTION B - B

FOR
REFERENCE
ONLY



SECTION C - C



SECTION D - D

EMBEDDED MATERIALS			
ITEM	QTY	ITEM	QTY
RISER	2	ONE WAY OVAL 8x1 1/4	4
GRAB BAR	2	ANCHOR LEAD 6-8x1	4
TP DISPENSER	2	BLIND RIVET 1/8x1/4	4
TOILET PAPER ROLL	4-6		
COAT HOOK	2		
DOOR STOP	2		
SI-1	2		
BLIND RIVET 1/8x1/4	4		
CXT I.D. TAG	2		
ANCHOR NAIL 1/4x1	12		
ANCHOR NAIL 1/4x3/4	8		
ANCHOR NAIL 3/16x7/8	18		
CU. FT. CONC.		SO. FT. W.W.F.	APPROXIMATE WEIGHT

CXT
Precast Products

PROJECT TITLE
DOUBLE ROCKY MTN with CHASE
CXT STANDARD BUILDING

NOTICE

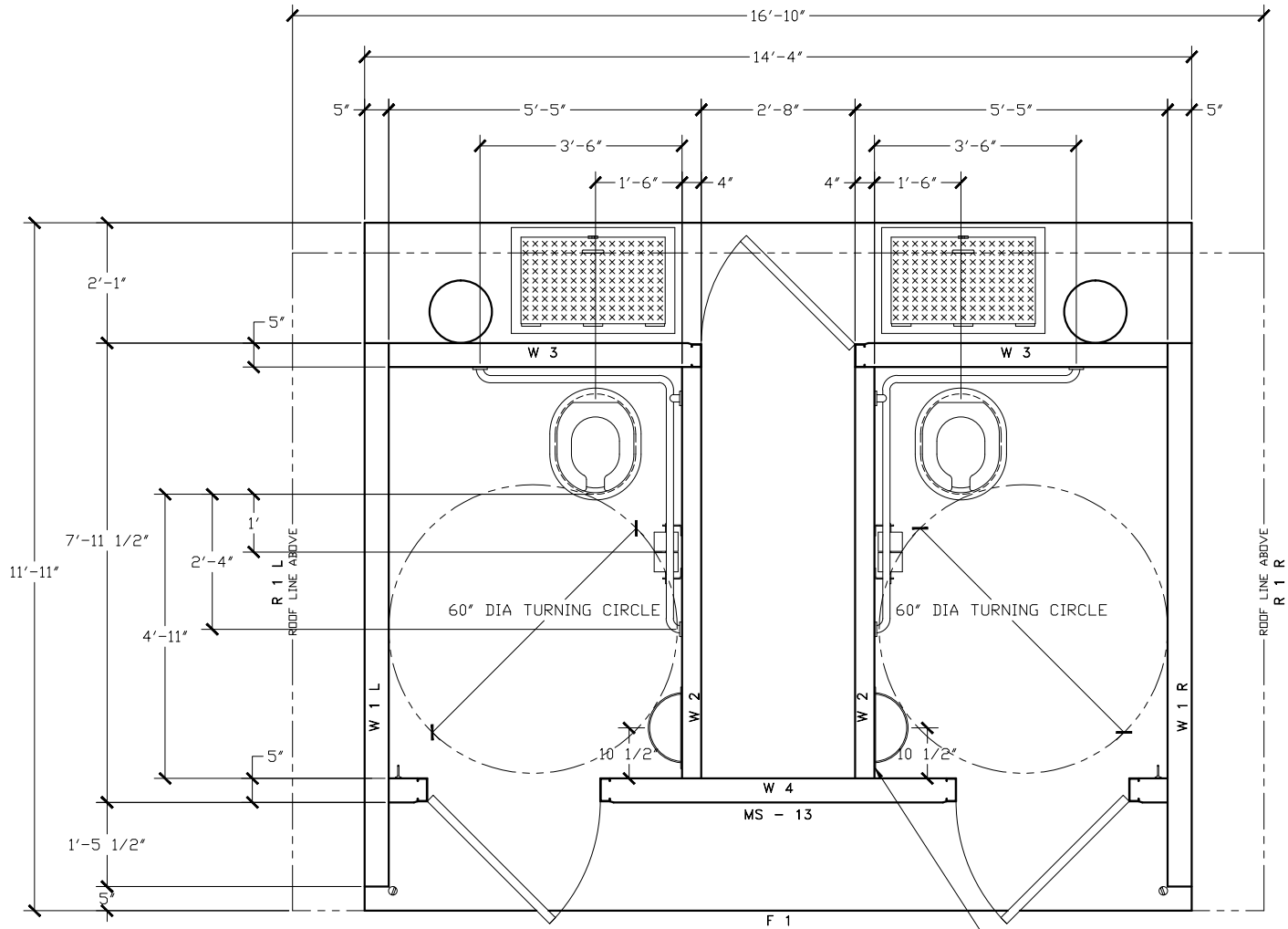
The information contained herein is proprietary and the exclusive property of CXT Incorporated. The information may only be used by the original recipient for the purpose intended. Reproduction or distribution of this information is strictly prohibited without the prior written consent of CXT Incorporated. By allowing use of this information, CXT Incorporated grants no warranty, express or implied, including a warranty of merchantability or of fitness for a particular purpose.

REV.	DESCRIPTION	APPROVAL	DATE
SCALE	1/4"=1'-0"	DATE	07-19-16
DRAWN	FILE NO.	PD-DRMWC03	
CHECKED	PLOT	48	

INTERIOR ELEVATIONS

DWG NO. **DRMWC-03**

SHEET / REV.



FOR
REFERENCE
ONLY

OPTIONAL WASTE PAPER BASKET
MOUNT BTM 12' OFF FINISHED FLOOR
(SEE MI)



PROJECT TITLE
DOUBLE ROCKY MTN with CHASE
CXT STANDARD BUILDING

NOTICE

The information contained herein is proprietary and the exclusive property of CXT Incorporated. The information may only be used by the original recipient for the purpose intended. Reproduction or distribution of this information is strictly prohibited without the prior written consent of CXT Incorporated. By allowing use of this information, CXT Incorporated grants no warranty, express or implied, including a warranty of merchantability or of fitness for a particular purpose.

CXT Incorporated

REV.	DESCRIPTION	APPROVAL	DATE
SCALE	1/2"=1'-0"	DATE	07-19-16
DRAWN	FILE NO.	PD-DRMWC04	
CHECKED	PLOT	24	

FLOOR PLAN

DWG NO.	SHEET	REV.
DRMWC-04		