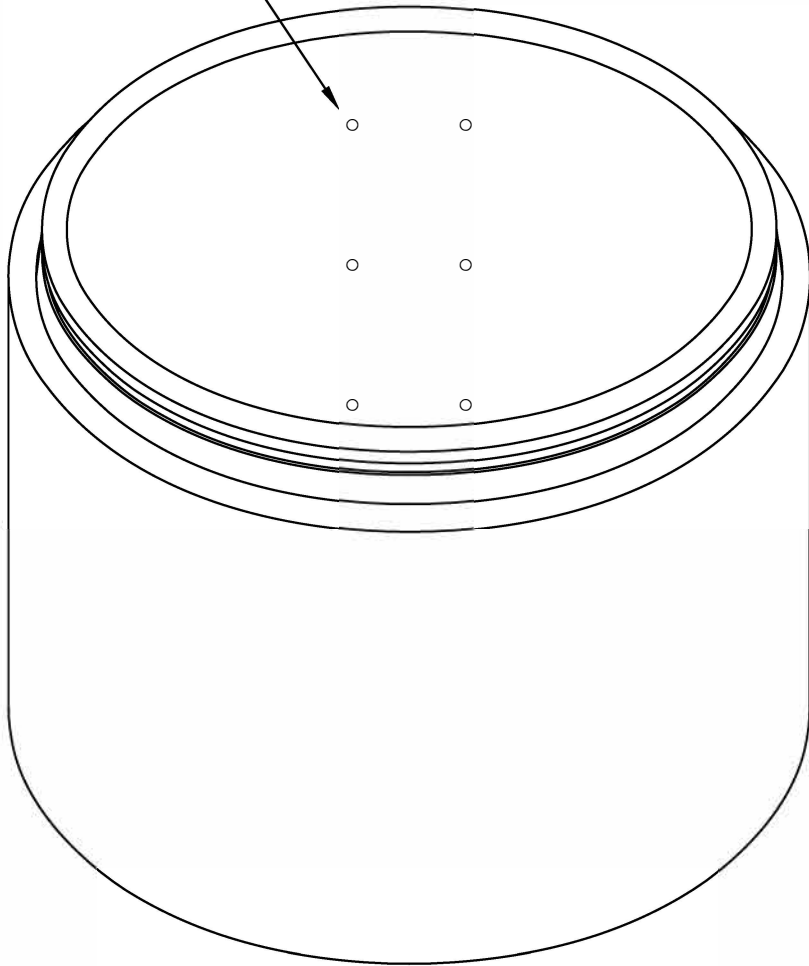
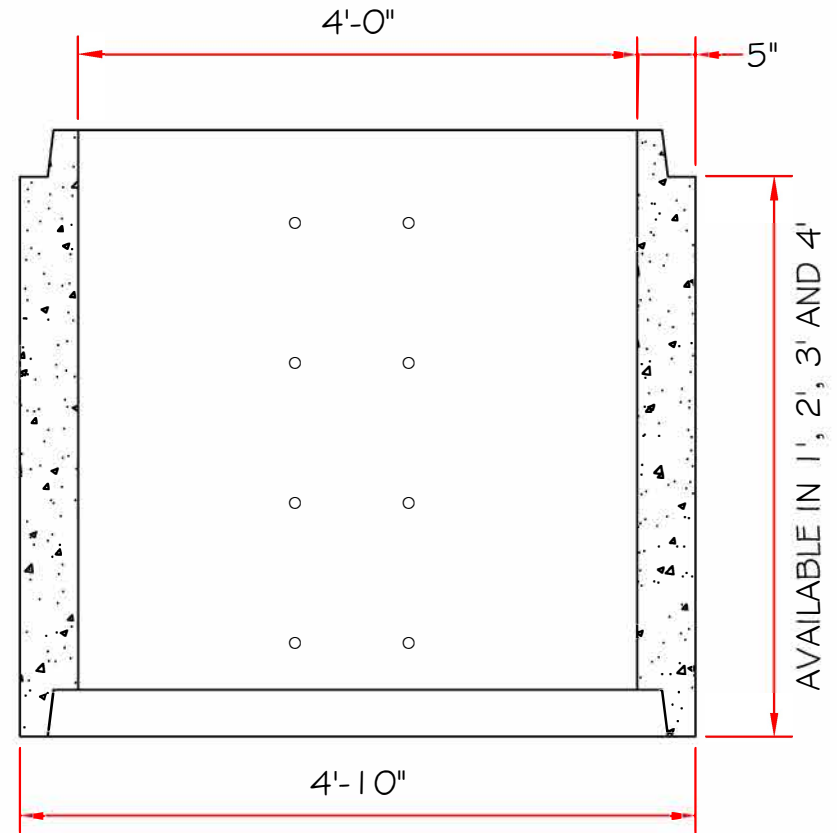


HOLES CAST IN PLACE FOR MANHOLE  
STEPS, ON 1 2" CENTERS



ISOMETRIC VIEW



SECTION VIEW

NOTE:  
MANHOLE RISERS ARE MANUFACTURED  
TO ASTM C-478-90B SPECIFICATION

PHONE: 800-837-8918



P.O. Box 265, WAVERLY, WV 26184-0265

MANHOLE RISER 48" DIA

DWG. NO.	
1	
OF	
1	
REV	DATE

FILE# DRAWN BY KJK DATE 4/13/2012