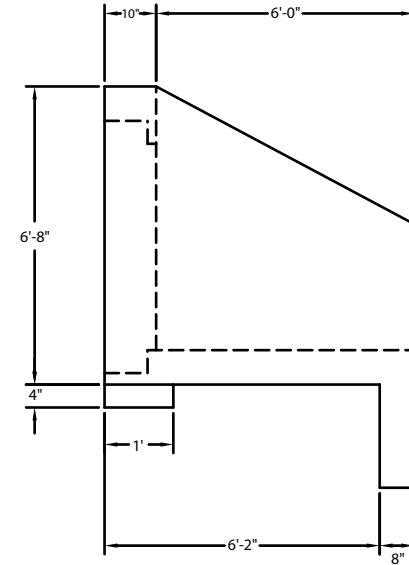
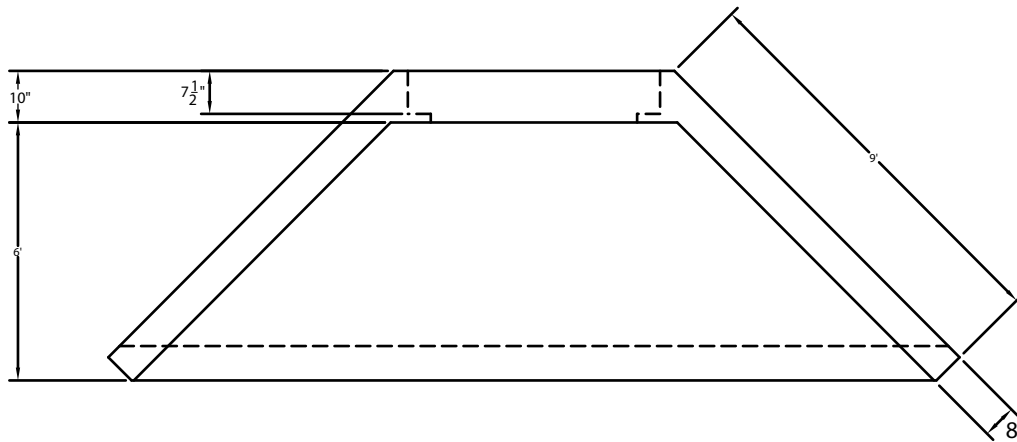


FRONT VIEW



END VIEW



TOP VIEW

NOT TO SCALE

PHONE: 800-837-8918



P.O. Box 265, WAVERLY, WY 26184-0265

WINGWALL 60" DIAMETER PIPE  
PROJECT:  
LOCATION:

DWG.NO.	6	6
	5	5
	4	4
	3	3
	2	2
OF	1	6/13/97
1		
REV	DATE	

FILE# JR95034 DRAWN BY JOR DATE 5/12/95