



ALLEGHENY RAIL PRODUCTS CATALOG

LBFoster®

lbfooster.com

2
0
1
8

ALLEGHENY RAIL PRODUCTS (ARP)

With over thirty years of experience, L.B. Foster's Allegheny Rail Products designs, manufactures and supplies state-of-the-art insulated rail joints and associated products for domestic and international railway applications including polyencapsulated insulated (TOUGHCOAT®) joints, bonded insulated joint plug assemblies and bonded insulated joint kits.

In addition to complete joint assemblies (epoxy bonded joint plugs), which are assembled in our shops, we also offer TOUGHCOAT kits and bonded insulated joint kits that are designed to be installed in the field.

Accessories are also available for your insulated joint needs. Polyurethane insulated joint tie plates are available in various sizes for different sections of rail. Insulated tie plates are designed to support insulated joints without compromising their high electrical resistance and are available in solid polyurethane or polyurethane coated steel.

We manufacture our products in compliance with the latest AREMA specifications and those of the respective freight railroads and transit systems. Our strategic locations in Niles, Ohio and Pueblo, Colorado are ISO 9001:2018 certified.



Bonded Insulated Joints

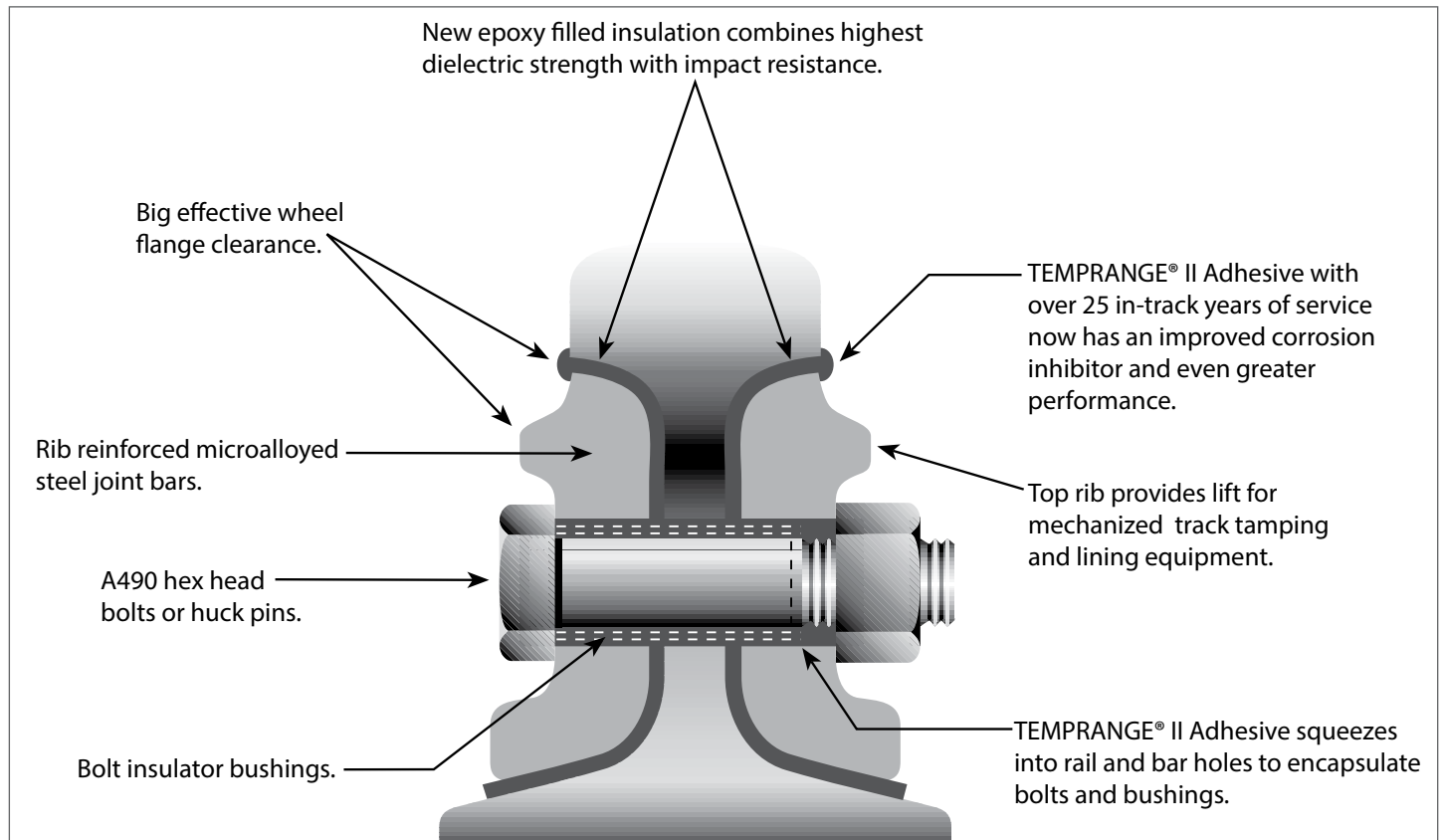
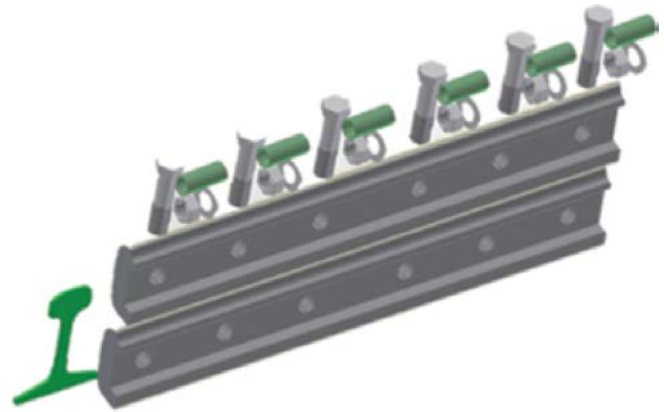
Factory Assembled

- ▶ Epoxy bonded with High Integrity TEMPRANGE® II Epoxy for long life
- ▶ Full-contact, micro alloy joint bar
- ▶ Assembled to specified length, up to 60' long
- ▶ Available in worn rail / transition rail configurations
- ▶ Assembled with A-490 bolts or huck pins (6 or 8)
- ▶ Ultra long life ENDURA-JOINT® with Aramid insulation also available



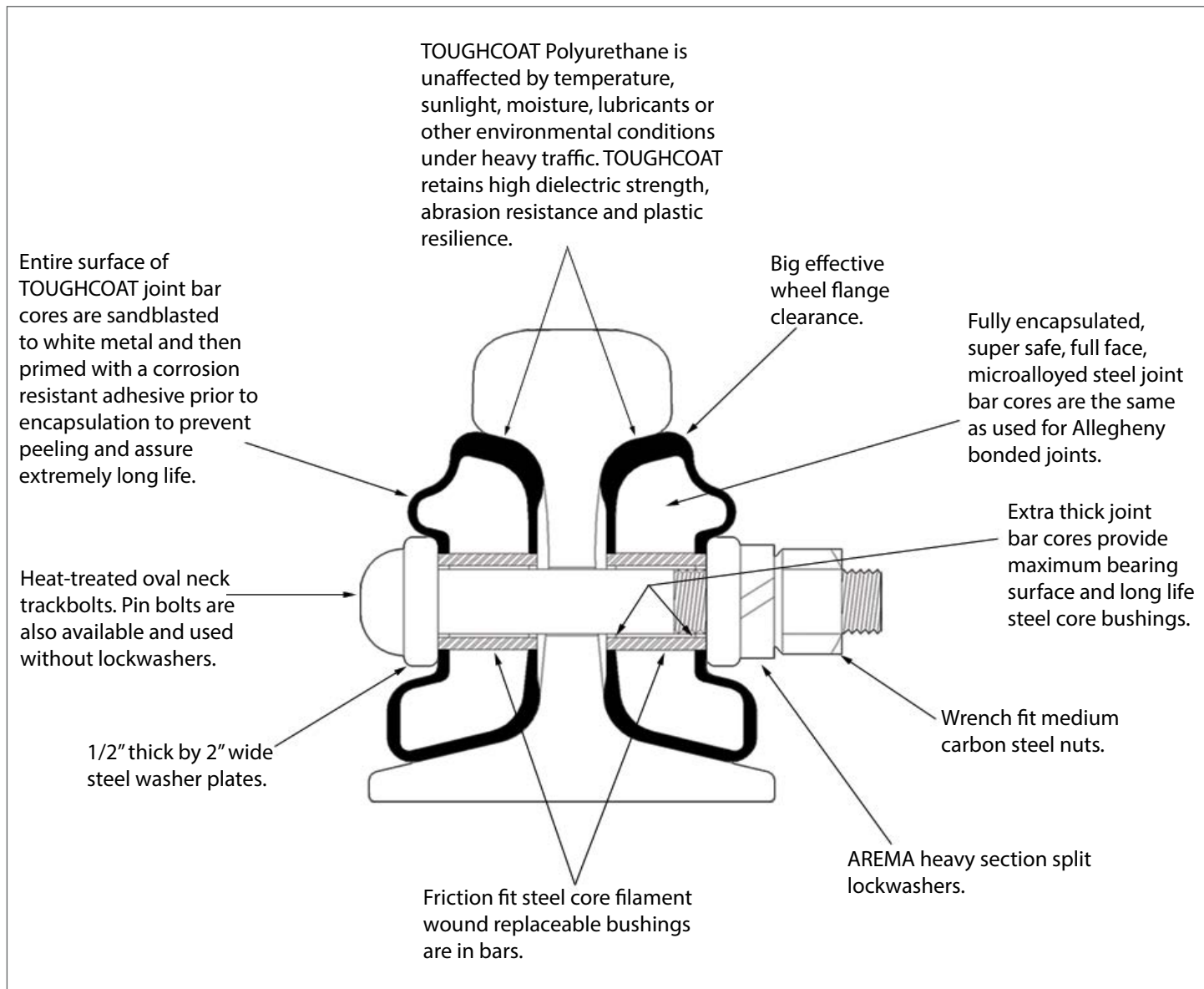
Bonded Insulated Joint Kits

- ▶ Long life, high performance
- ▶ Available as insulated or non-insulated (bonded standard)
- ▶ 4, 6 or 8 hole configurations
- ▶ Furnished complete with pre-measured epoxy, solvents, bolts, nuts, insulated bars and end post
- ▶ Available in bulk packaging
- ▶ Available for most rail sections (AREMA, UIC, etc.)
- ▶ High toe clearance designs can be furnished



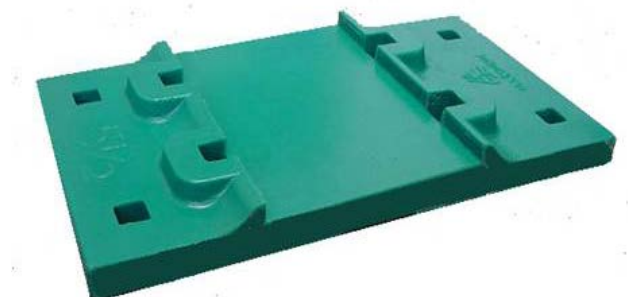
TOUGHCOAT® Insulated Joints

- ▶ Superior insulated joint for non-bonded applications
- ▶ Micro alloy steel core
- ▶ High performance polyurethane coating
- ▶ Unaffected by temperature, sunlight, moisture or lubricants
- ▶ Large wheel flange clearance
- ▶ Available in toeless designs
- ▶ Manufactured to AREMA and customer specifications
- ▶ Available for most rail sections (AREMA, UIC, etc.)
- ▶ TOUGHCOAT poly plates also available



Insulated Joint Plates

- ▶ Provides continuous support
- ▶ Ideal for high stress, high impact environments
- ▶ Permanently coated rail seat
- ▶ Vibration resistant, positive clamping, two-bolt rail clips
- ▶ **Single Tie Plate**
- ▶ Forged steel plate with permanently coated rail seat
- ▶ Insulated rail seat for supporting insulated joints
- ▶ Two fiberglass rail clips included
- ▶ Canted and uncanted options
- ▶ **TOUGHCOAT® Poly Plate**
- ▶ Solid high performance polyurethane
- ▶ Double shoulder



TOUGHCOAT Poly Plate

Insulated Joint Panels

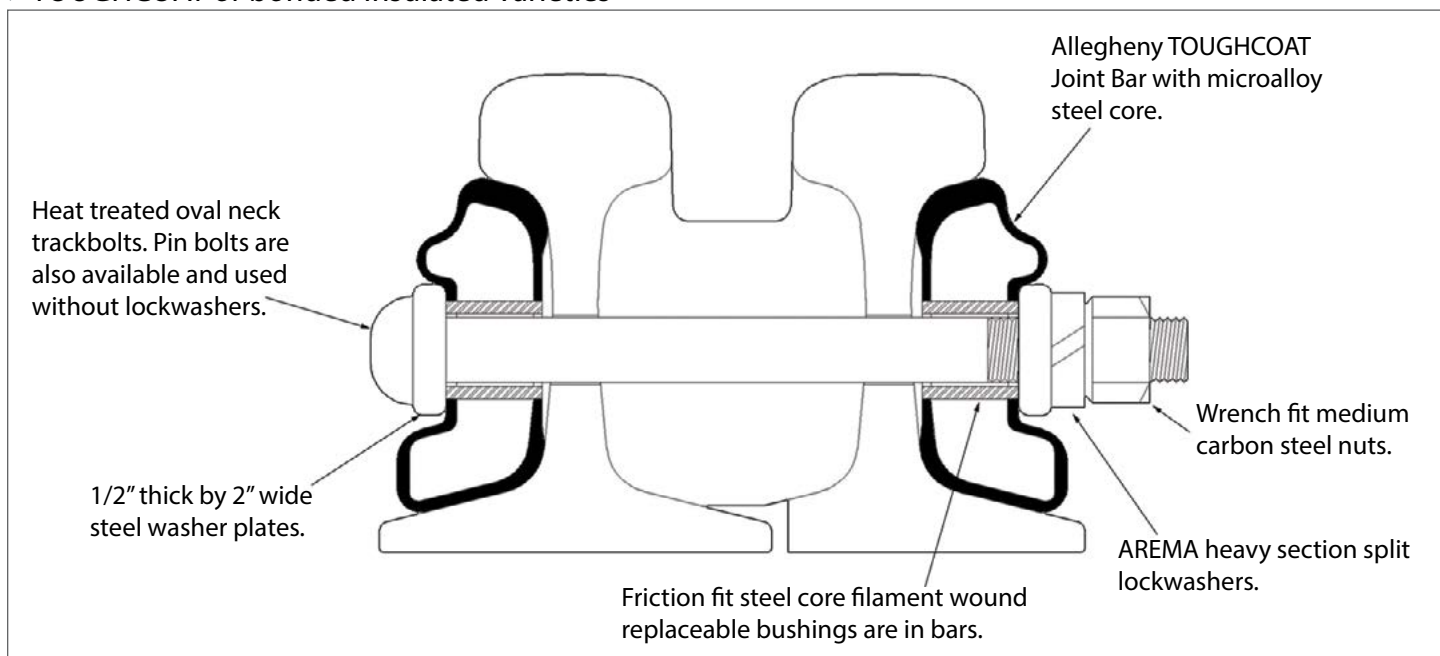
- ▶ Pre-assembled in 40' sections (other lengths available)
- ▶ Allows easy incorporation of premium components such as wide ties, three tie insulated joint plates and high performance insulated joints
- ▶ Shippable by truck or railcar
- ▶ Easy installation
- ▶ Available with transition insulated joints



Specialty Insulated Joints

Available for the following applications:

- ▶ Double rail for special trackwork
- ▶ Girder rail sections
- ▶ U69 guard rails
- ▶ Miter cut joints
- ▶ Compromise rail joints
- ▶ Resilient rail clips requiring extra clearance
- ▶ TOUGHCOAT or bonded insulated varieties



Allegheny TOUGHCOAT Double Rail Insulated Joints

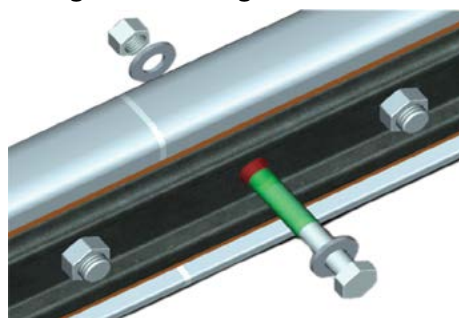
TEMPRANGE II Epoxy

- ▶ High shear strength epoxy specially formulated for heavy railroad loads and environments
- ▶ For use in insulated joint and trackwork assembly



Broken Bolt Replacement Kits

- ▶ Easy replacement of broken or missing bolts
- ▶ For use in bonded insulated joints
- ▶ Complete with installation instructions, bolt, nut, insulating bushing and silicon sealer
- ▶ Sized to slide easily through original bushings



Bulldog Bars

- ▶ Protects rails with detected rail flaw or weld failure
- ▶ Easy to install
- ▶ Maintains rail alignment
- ▶ High wheel clearance for worn rail
- ▶ Re-usable



L.B. FOSTER RAIL PRODUCTS SUPPORT RAIL SYSTEMS WORLDWIDE

L.B. Foster Rail Products has grown for more than a century to become a leading supplier and manufacturer of quality railroad equipment for mainline, transit, mining, port and industrial markets worldwide. Today, our company supplies rail, rail accessories and project services that meet the diverse needs of major rail systems around the globe.

We provide a complete catalog of products necessary to build and maintain mainline, transit and industrial track structure. Our full line of rail products includes new rail, crane rail, insulated rail joints, rail lubrication systems, rail monitoring technology, concrete rail ties, transit rail systems and trackwork materials.

L.B. Foster's Allegheny Rail Products manufactures quality insulated rail joints and related products for use by all rail customers. Transit Products provides commuter and light rail transit systems with direct fixation fasteners, contact rail and related products. CXT® Concrete Ties manufactures high performance concrete ties for use in heavy haul, transit and industrial rail operations. Our Rail Technologies group provides innovative solutions for a variety of wheel/rail interface challenges that include hi-rail, on-board and wayside lubrication and performance monitoring systems.



YOUR LEADING RAIL INDUSTRY SOLUTIONS PROVIDER

TRACK INFRASTRUCTURE PRODUCTS
WHEEL INTERFACE SOLUTIONS
RAIL CONDITION MONITORING

CONTACT INFORMATION:

United States: 1.800.255.4500 or 1.412.928.3400

International: +44(0) 1142562225