

FOR
REFERENCE
ONLY

3808 N. Sullivan Bldg. #7 Spokane, WA 99216



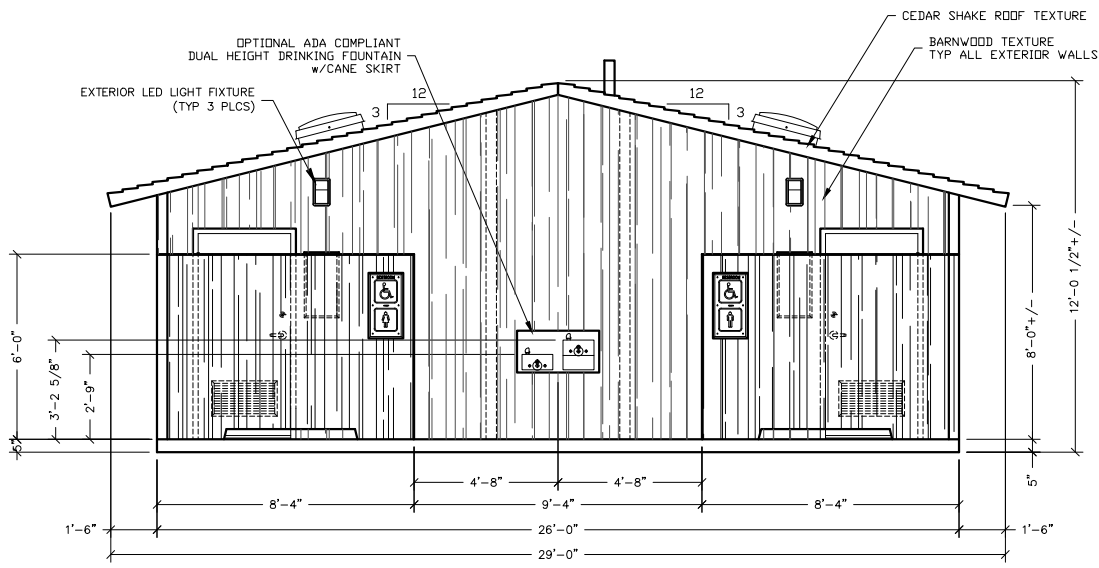
PROJECT TITLE
MONTROSE with SCREEN
CXT STANDARD BUILDING

NOTICE
The information contained herein is proprietary and the exclusive property of CXT Incorporated. The information may only be used by the original recipient for the purpose intended. Reproduction or distribution of this information is strictly prohibited without the prior written consent of CXT Incorporated. By allowing use of this information, CXT Incorporated grants no warranty, express or implied, including a warranty of merchantability or of fitness for a particular purpose.
CXT Incorporated

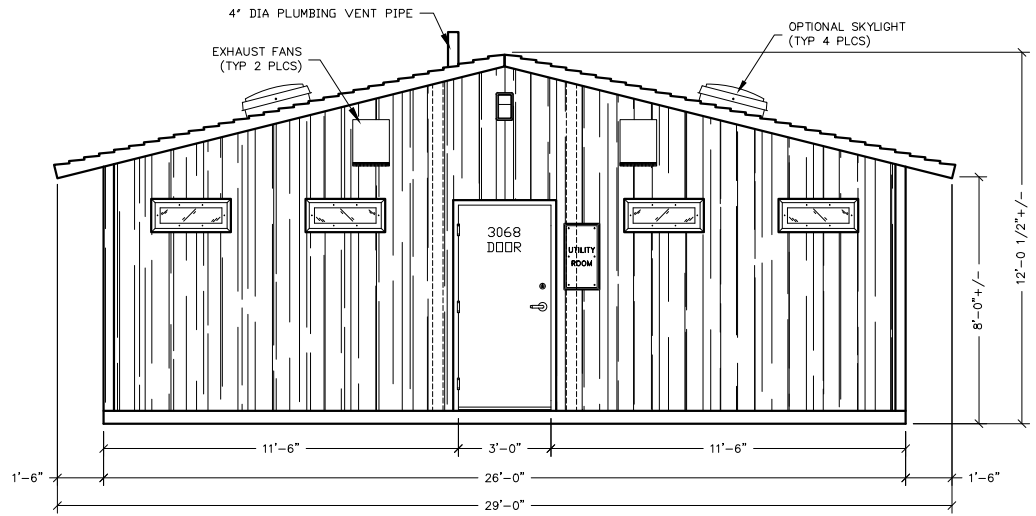
REV.	DESCRIPTION	APPROVAL	DATE
SCALE	1/4" = 1'-0"	DATE	04-30-18
DRAWN		FILE NO.	PD-M503
CHECKED		PLOT	48

FLOOR PLAN

DWG NO. M-03 SHEET REV.



FRONT ELEVATION



REAR ELEVATION

FOR
REFERENCE
ONLY

3808 N. Sullivan Bldg. #7 Spokane, WA 99216



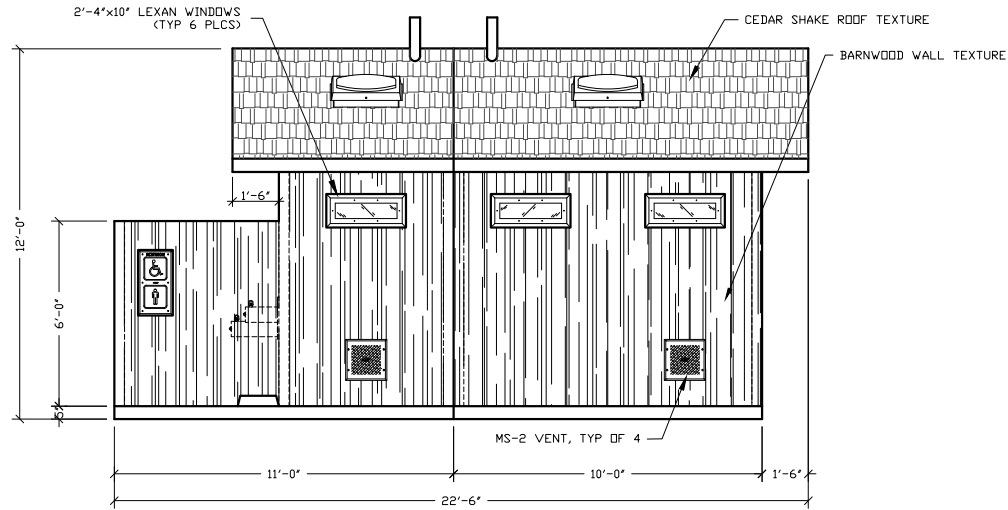
PROJECT TITLE
**MONTROSE with SCREEN
CXT STANDARD BUILDING**

NOTICE
The information contained herein is proprietary and the exclusive property of CXT Incorporated. The information may only be used by the original recipient for the purpose intended. Reproduction or distribution of this information is strictly prohibited without the prior written consent of CXT Incorporated. By allowing use of this information, CXT Incorporated grants no warranty, express or implied, including a warranty of merchantability or of fitness for a particular purpose.

REV.	DESCRIPTION	APPROVAL	DATE
SCALE	1/4"=1'-0"	DATE	04-30-16
DRAWN	FILE NO.	PILOT	PG-MSD4
CHECKED			

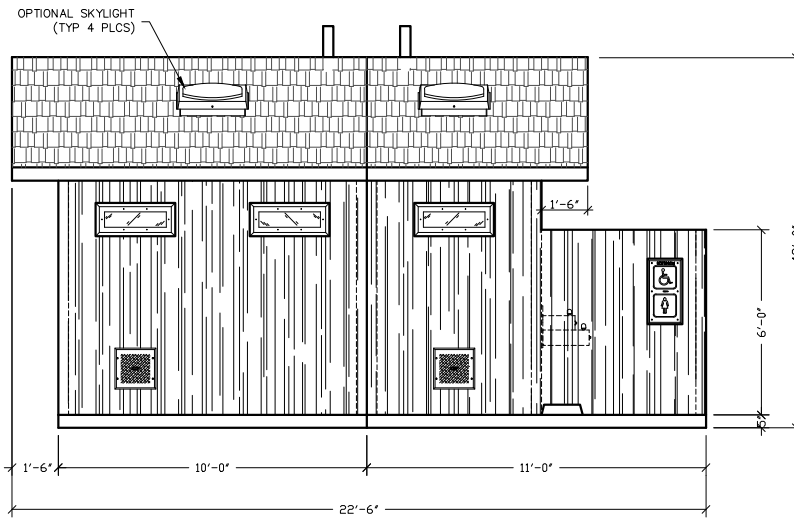
BUILDING ELEVATIONS

DWG NO.	SHEET	REV.
M-04		



RH SIDE ELEVATION

FOR
REFERENCE
ONLY



LH SIDE ELEVATION

3808 N. Sullivan Bldg, #7 Spokane, WA 99216



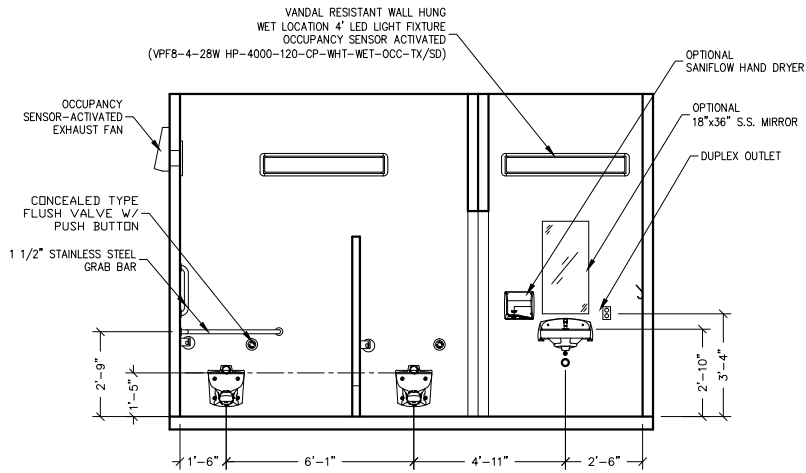
PROJECT FILE
MONTROSE with SCREEN
CXT STANDARD BUILDING

NOTICE
The information contained herein is proprietary and the exclusive property of CXT Incorporated. The information may only be used by the original recipient for the purpose intended. Reproduction or distribution of this information is strictly prohibited without the prior written consent of CXT Incorporated. By allowing use of this information, CXT Incorporated grants no warranty, express or implied, including a warranty of merchantability or of fitness for a particular purpose.
CXT Incorporated

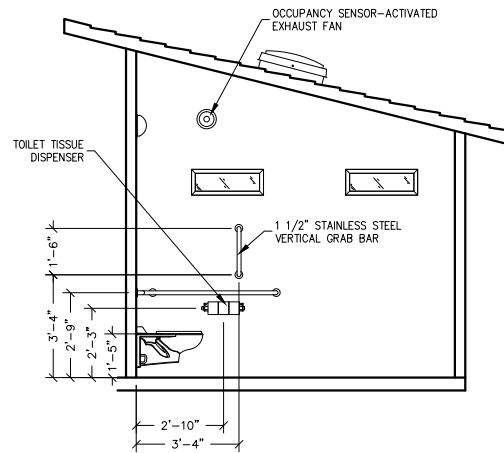
NO.	DESCRIPTION	APPROVAL	DATE
SCALE	1 1/4" = 1'-0"		04-30-16
DRAWN	FILE NO.		PD-M505
CHECKED	PLOT		48

BUILDING ELEVATIONS

DWG NO.	SHEET	REV.
M-05		



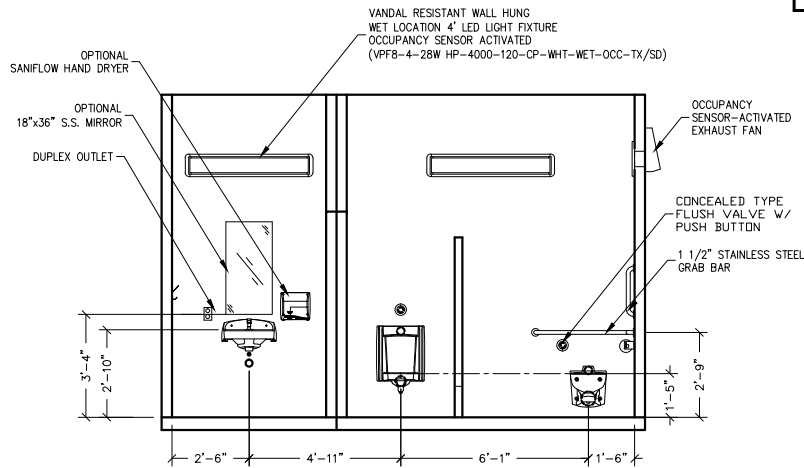
INTERIOR ELEVATION -WOMEN'S RESTROOM



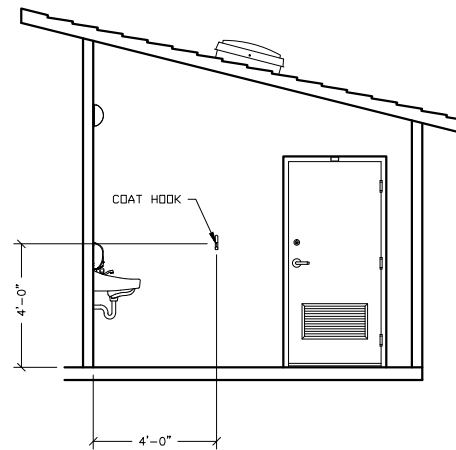
INTERIOR ELEVATION - MEN'S RESTROOM

WOMENS OPPOSITE HAND

**FOR
REFERENCE
ONLY**



INTERIOR ELEVATION - MEN'S RESTROOM



INTERIOR ELEVATION - WOMEN'S RESTROOM

MENS OPPOSITE HAND

3808 N. Sullivan Bldg. #7 Spokane, WA 99216

CXT
Precast Products
901 N. Highway 77 Hillsboro, TX 76645

PROJECT TITLE
MONTROSE with SCREEN
CXT STANDARD BUILDING

NOTICE
The information contained herein is proprietary and the exclusive property of CXT Incorporated. The information may only be used by the original recipient for the purpose intended. Reproduction or distribution of this information is strictly prohibited without the prior written consent of CXT Incorporated. By allowing use of this information, CXT Incorporated grants no warranty, express or implied, including a warranty of merchantability or of fitness for a particular purpose.

CXT Incorporated

REV.	DESCRIPTION	APPROVED	DATE

SCALE 1/4"=1'-0" DATE 04-30-18

DRAWN FILE NO. PD-M506

CHECKED PLOT 48

INTERIOR ELEVATIONS

DWG NO. SHEET REV.

M-06