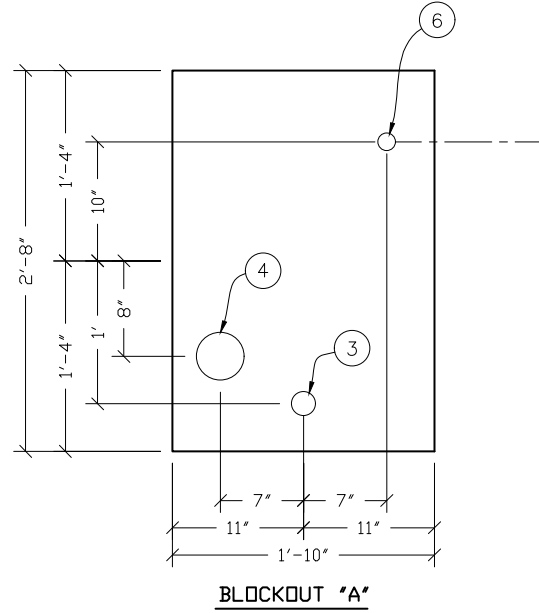
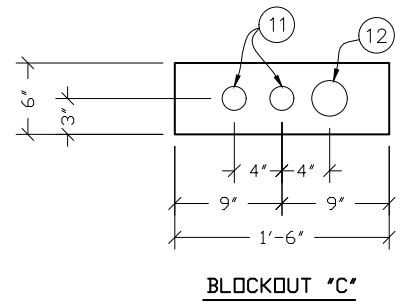
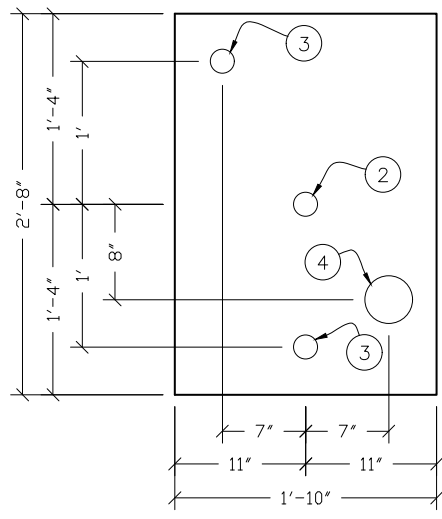
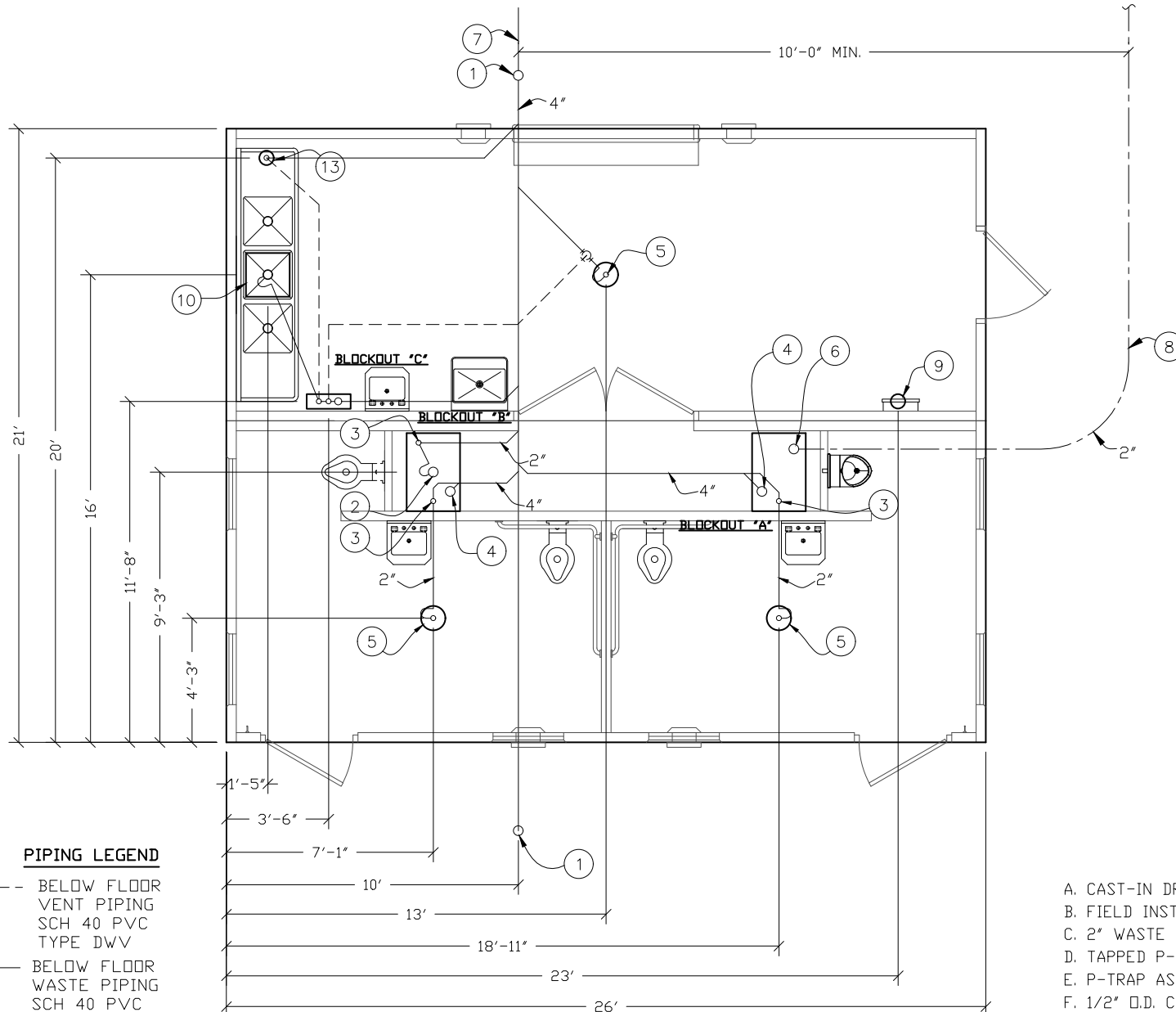


ALL PIPING INDICATED ON THIS SHEET IS NOT BY CXT

THIS DRAWING IS SUPPLIED FOR REFERENCE ONLY. PLEASE CONTACT CXT ENGINEERING DEPARTMENT FOR BUILDING SPECIFIC CONTROLLED DOCUMENTS PRIOR TO ANY FIELD WORK.

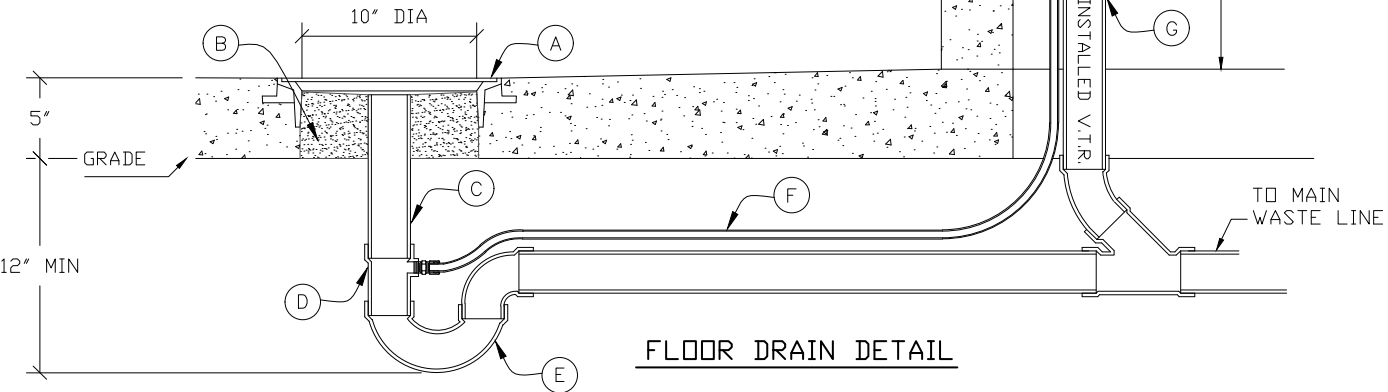


PIPING LEGEND

- BELOW FLOOR VENT PIPING SCH 40 PVC TYPE DWV
- BELOW FLOOR WASTE PIPING SCH 40 PVC TYPE DWV
- 2" TYPE "K" ANNEALED "SOFT" COPPER WATER SERVICE

FLOOR DRAIN BLOCKOUTS & BELOW FLOOR PIPING

- A. CAST-IN DRAIN HOUSING (10" INSIDE DIM - PROVIDED BY CXT)
- B. FIELD INSTALLED GROUT, SLOPE TO DRAIN (CXT PROVIDED-INSTALLATION NOT BY CXT)
- C. 2" WASTE PIPE - STUB UP 12" ABOVE GRADE (NOT BY CXT)
- D. TAPPED P-TRAP ADAPTER (NOT BY CXT)
- E. P-TRAP ASSEMBLY (NOT BY CXT)
- F. 1/2" O.D. COPPER TRAP PRIMER LINE (NOT BY CXT)
- G. 2" FLOOR DRAIN VENT RISER - STUB UP 12" ABOVE GRADE FOR FIELD CONNECTION TO VENT THROUGH ROOF (NOT BY CXT)
- H. TRAP PRIMER MANIFOLD (PRE-PLUMBED AND INSTALLED BY CXT)
- I. 1/2" SHUT OFF VALVE (PRE-PLUMBED AND INSTALLED BY CXT)



FLOOR DRAIN DETAIL

BELOW FLOOR PIPING - KEY NOTES

1. 4" CLEAN OUT TO GRADE.
2. 2" FLOOR DRAIN. FIELD INSTALLED TRAP PRIMER SYSTEM IF REQUIRED BY AUTHORITY HAVING JURISDICTION. (1'-10"x2'-8" BLOCKOUT)
3. 2" VENT PIPES EXTENDED 12" ABOVE FINISHED FLOOR LEVEL, PROVIDE TEST PLUG. (1'-10"x2'-8" BLOCKOUT)
4. 4" WASTE PIPE EXTENDED 12" ABOVE FINISHED FLOOR LEVEL, PROVIDE TEST PLUG. (1'-10"x2'-8" BLOCKOUT)
5. 2" FLOOR DRAIN. FIELD INSTALLED TRAP PRIMER SYSTEM IF REQUIRED BY AUTHORITY HAVING JURISDICTION. (10" DIA BLOCKOUT)
6. 2" TYPE K ANNEALED "SOFT" COPPER WATER SERVICE EXTENDED 12" ABOVE FINISHED FLOOR LEVEL, PROVIDE CAP AT END. (1'-10"x2'-8" BLOCKOUT)
7. 30" MIN. BURY, PROVIDE TRACER TAPE.
8. MIN. BURY PER LOCAL REQUIREMENTS TO PROTECT AGAINST FREEZING AND DAMAGE.
9. ELECTRICAL STUB UP, (6" DIA BLOCKOUT)
10. 12" FLOOR SINK (1'-6"x1'-6" BLOCKOUT).
11. 2" VENT PIPES EXTENDED 12" ABOVE FINISHED FLOOR LEVEL, PROVIDE TEST PLUGS (6"x18" BLOCKOUT).
12. 3" WASTE PIPE EXTENDED 12" ABOVE FINISHED FLOOR LEVEL, PROVIDE TEST PLUG. (6"x18" BLOCKOUT).
13. 2" WASTE PIPE EXTENDED 12" ABOVE FINISHED FLOOR LEVEL, PROVIDE TEST PLUGS (6" DIA BLOCKOUT).



6707 E. Flamingo Ave. Bldg 300, Nampa, ID 83687
901 N. Highway 77 Hillsboro, TX 76645
362 Waverly Road Williamstown, WV 26187

PROJECT TITLE
KEYSTONE
CXT STANDARD BUILDING

NOTICE
The information contained herein is proprietary and the exclusive property of CXT Incorporated. The information may only be used by the original recipient for the purpose intended. Reproduction or distribution of this information is strictly prohibited without the prior written consent of CXT Incorporated. By allowing use of this information, CXT Incorporated grants no warranty, express or implied, including a warranty of merchantability or of fitness for a particular purpose.

REV.	DESCRIPTION	APPROVAL	DATE
SCALE	3/16"=1'-0"	DATE	12-22-19
DRAWN	MICHAEL M	FILE NO.	IP-19P40
CHECKED	BOB VEAL	PLOT	48

FLOOR DRAIN LOCATIONS & BELOW FLOOR PIPING

DWG NO.	SHEET	REV.
	8	8