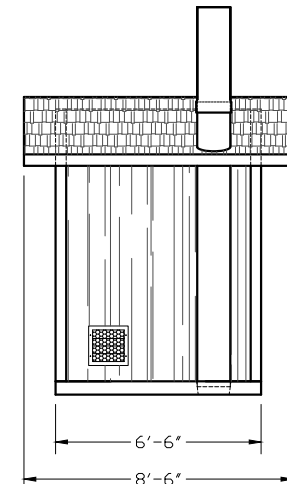
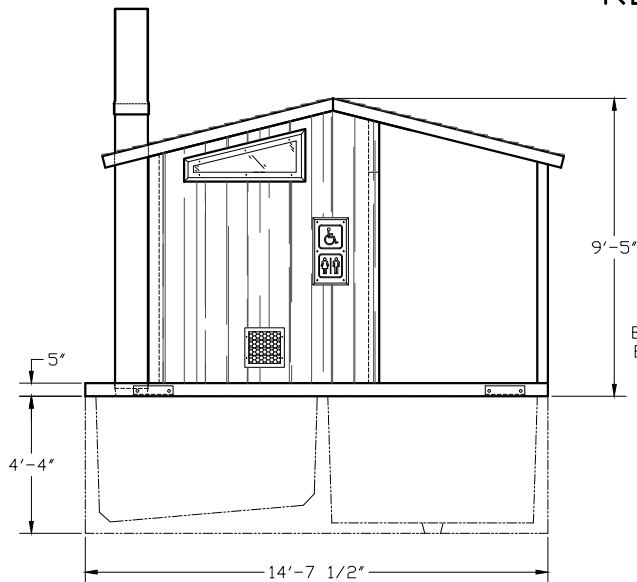


FRONT ELEVATION



RIGHT SIDE ELEVATION

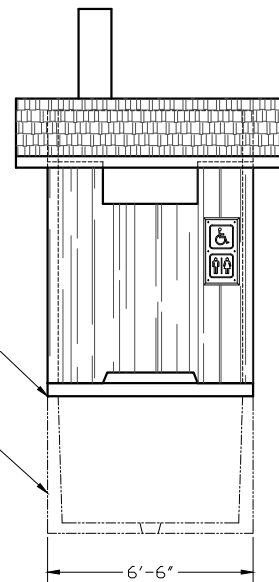


REAR ELEVATION

FOR
REFERENCE
ONLY

BUILDING-TO-VAULT CONNECTION:
BUTYL TAPE ADHESIVE SEALANT-
SEE ATTACHED CUT SHEET.

VAULT 2
(SEE DWG #V2-1)



LEFT SIDE ELEVATION

EMBEDDED MATERIALS			
ITEM	QTY	ITEM	QTY
SI-2	3		
VENT PIPE 9'-0"	1		
ANCHOR NAIL 1/4x3/4	12		
VENT PIPE 3'-0"	1		

CU. FT. CONC. SQ. FT. W.W.F. APPROXIMATE WEIGHT



PROJECT TITLE
GUNNISON THRU SCREEN LH
CXT STANDARD BUILDING

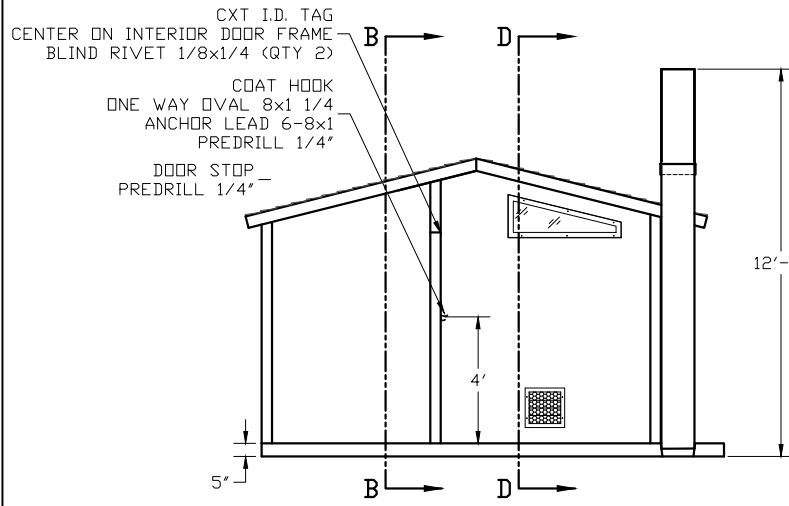
NOTICE
The information contained herein is proprietary and the exclusive property of CXT Incorporated. The information may only be used by the original recipient for the purpose intended. Reproduction or distribution of this information is strictly prohibited without the prior written consent of CXT Incorporated. By allowing use of this information, CXT Incorporated grants no warranty, express or implied, including a warranty of merchantability or of fitness for a particular purpose.

CXT Incorporated			

REV.	DESCRIPTION	APPROVAL	DATE
SCALE	1/4"=1'-0"	DATE	07-19-16
DRAWN	FILE NO.	PD-G02	
CHECKED	PLOT	48	

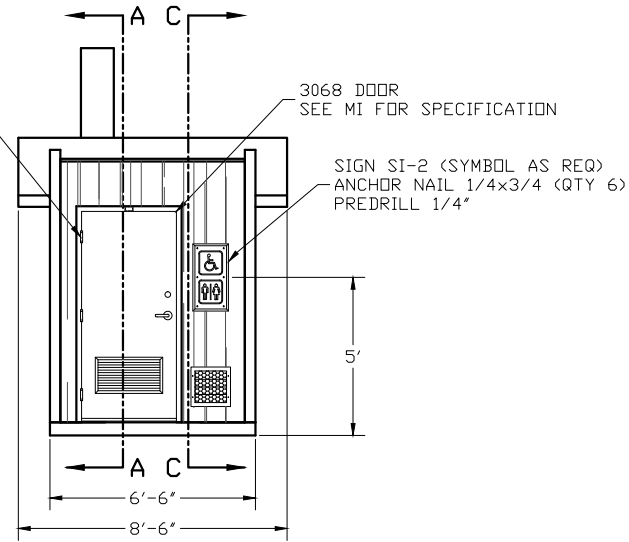
BUILDING ELEVATIONS

DWG NO. G-02	SHEET	REV.
-----------------	-------	------



SECTION A - A

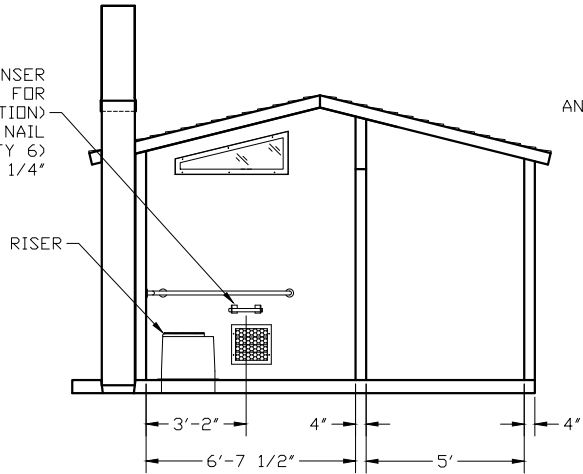
SPRING HINGE 4.5x4.5 (TYP 3 PLCS)



SECTION B - B

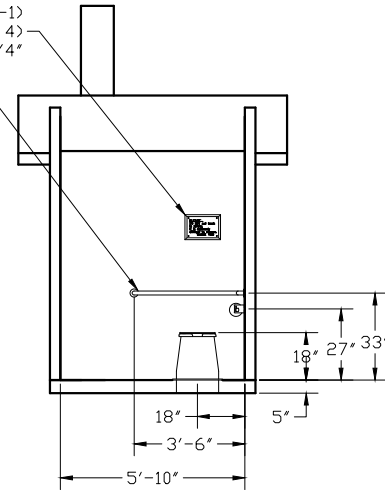
FOR REFERENCE ONLY

TP DISPENSER (SEE MI FOR SPECIFICATION) ANCHOR NAIL 1/4x1 (QTY 6) PREDRILL 1/4\"/>



SECTION C - C

SIGN (SI-1) ANCHOR NAIL 1/4x3/4 (QTY 4) PREDRILL 1/4\"/>



SECTION D - D

EMBEDDED MATERIALS			
ITEM	QTY	ITEM	QTY
RISER	1	ONE WAY OVAL 8x1 1/4	2
GRAB BAR	1	ANCHOR LEAD 6-8x1	2
TP DISPENSER	1	BLIND RIVET 1/8x1/4	2
TOILET PAPER ROLL	2-3	3068 DOOR ASSEMBLY	1
COAT HOOK	1	SPRING HINGE 4.5x4.5	3
DOOR STOP	1		
SI-1	1		
SI-2	1		
CXT I.D. TAG	1		
ANCHOR NAIL 1/4x1	6		
ANCHOR NAIL 1/4x3/4	10		
ANCHOR NAIL 3/16x7/8	9		
CU. FT. CONC.		SG. FT. W.W.F.	APPROXIMATE HEIGHT



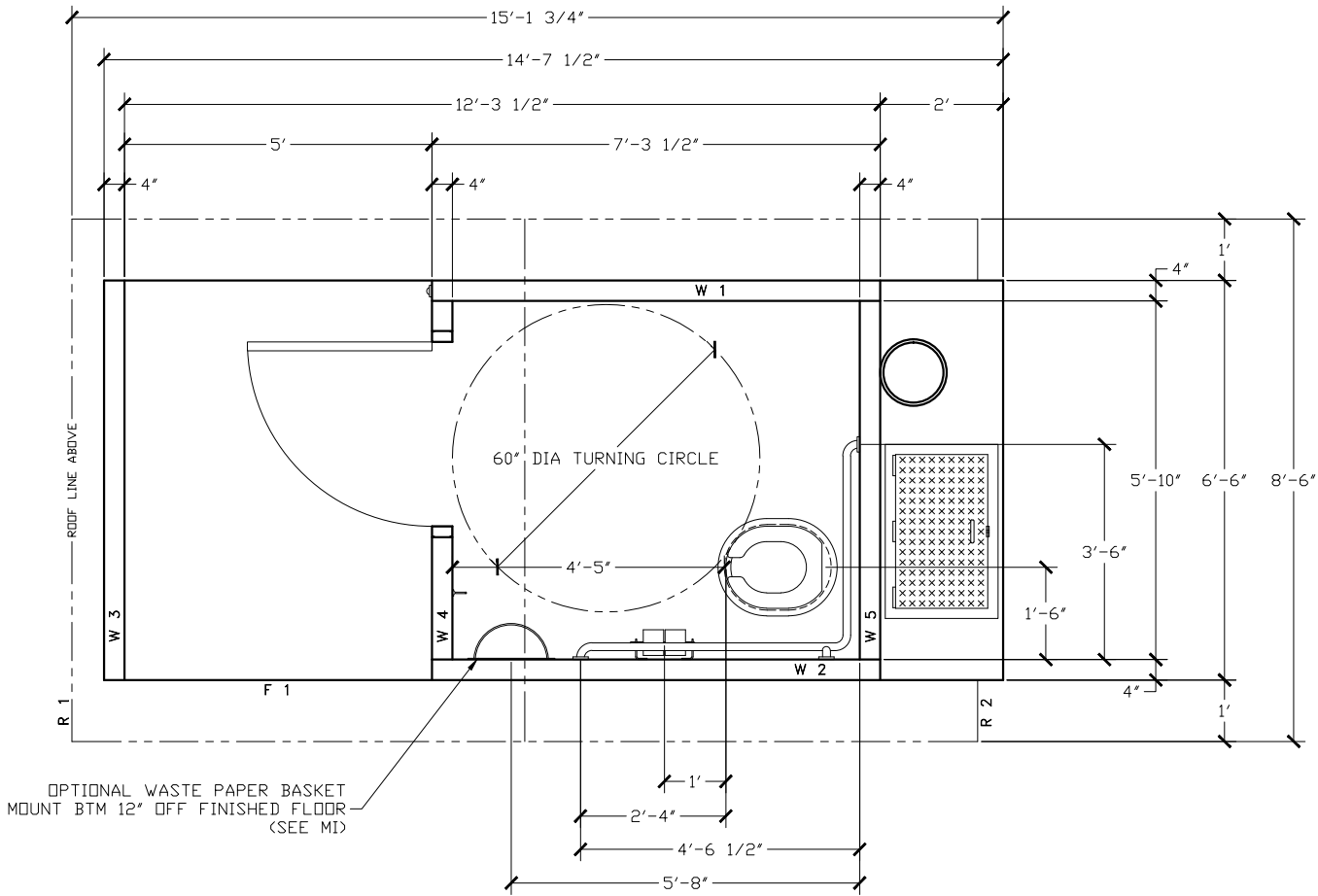
PROJECT TITLE
GUNNISON THRU SCREEN LH
CXT STANDARD BUILDING

NOTICE
The information contained herein is proprietary and the exclusive property of CXT Incorporated. The information may only be used by the original recipient for the purpose intended. Reproduction or distribution of this information is strictly prohibited without the prior written consent of CXT Incorporated. By allowing use of this information, CXT Incorporated grants no warranty, express or implied, including a warranty of merchantability or of fitness for a particular purpose.

CXT Incorporated			

REV.	DESCRIPTION	APPROVAL	DATE
SCALE	1/4"=1'-0"	DATE	07-19-16
DRAWN	FILE NO.		PD-G03
CHECKED	PLOT		48

INTERIOR ELEVATIONS		
DWG NO. G-03	SHEET	REV.



OPTIONAL WASTE PAPER BASKET
MOUNT BTM 12" OFF FINISHED FLOOR
(SEE MI)

FOR
REFERENCE
ONLY



PROJECT TITLE
GUNNISON THRU SCREEN LH
CXT STANDARD BUILDING

NOTICE

The information contained herein is proprietary and the exclusive property of CXT Incorporated. The information may only be used by the original recipient for the purpose intended. Reproduction or distribution of this information is strictly prohibited without the prior written consent of CXT Incorporated. By allowing use of this information, CXT Incorporated grants no warranty, express or implied, including a warranty of merchantability or of fitness for a particular purpose.

CXT Incorporated

REV.	DESCRIPTION	APPROVAL	DATE
SCALE	1/2"=1'-0"	DATE	07-19-16
DRAWN	FILE NO.	PD-G04	
CHECKED	PLOT	24	

FLOOR PLAN

DWG NO.	SHEET	REV.
G-04		