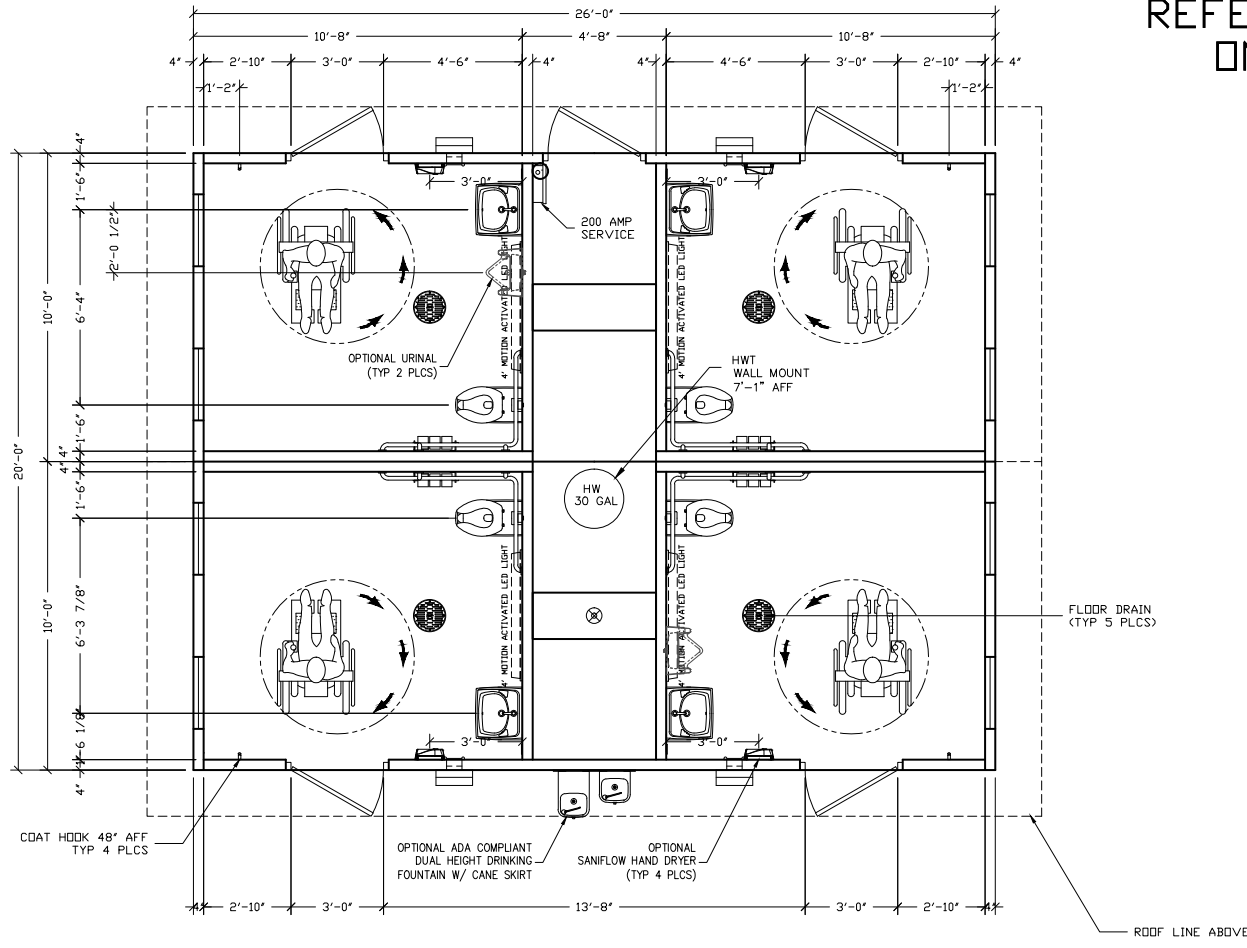


FOR
REFERENCE
ONLY



NOTES: 1. SEE DRAWING A-27 FOR SIZE AND LOCATION OF FLOOR BLOCKOUTS

3808 N. Sullivan Bldg. #7 Spokane, WA 99216
CXT
Precast Products
 901 N. Highway 77 Hillsboro, TX 76645

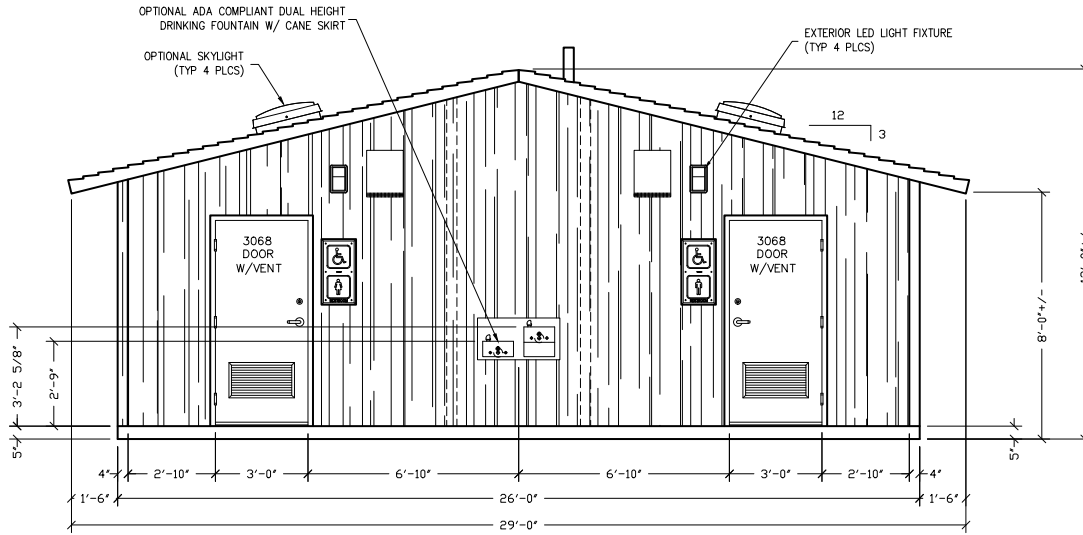
PROJECT TITLE
ARAPAHOE
 CXT STANDARD BUILDING

NOTICE
 The information contained herein is proprietary and the exclusive property of CXT Incorporated. The information may only be used by the original recipient for the purpose intended. Reproduction or distribution of this information is strictly prohibited without the prior written consent of CXT Incorporated. By allowing use of this information, CXT Incorporated grants no warranty, express or implied, including a warranty of merchantability or of fitness for a particular purpose.

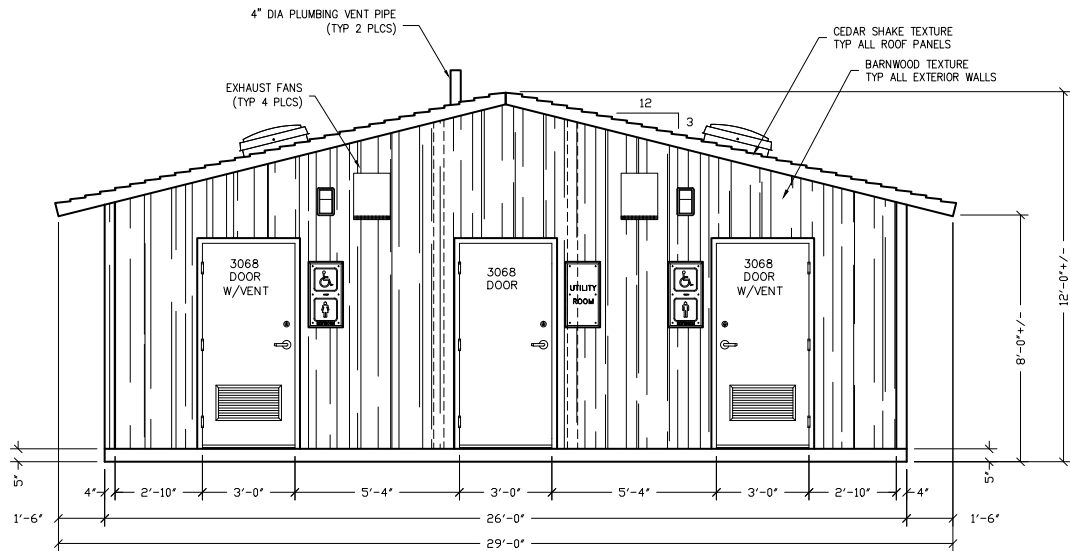
REV.	DESCRIPTION	DATE	APPROVED	DATE
SCALE	1/4"=1'-0"	DATE	04-30-18	
DRAWN	FILE NO.	90-A03		
CHECKED	PLOT	48		

FLOOR PLAN

DWG NO.	SHEET	REV.
A-03		



FRONT ELEVATION



REAR ELEVATION

FOR
REFERENCE
ONLY

3808 N. Sullivan Bldg, #7 Spokane, WA 99216



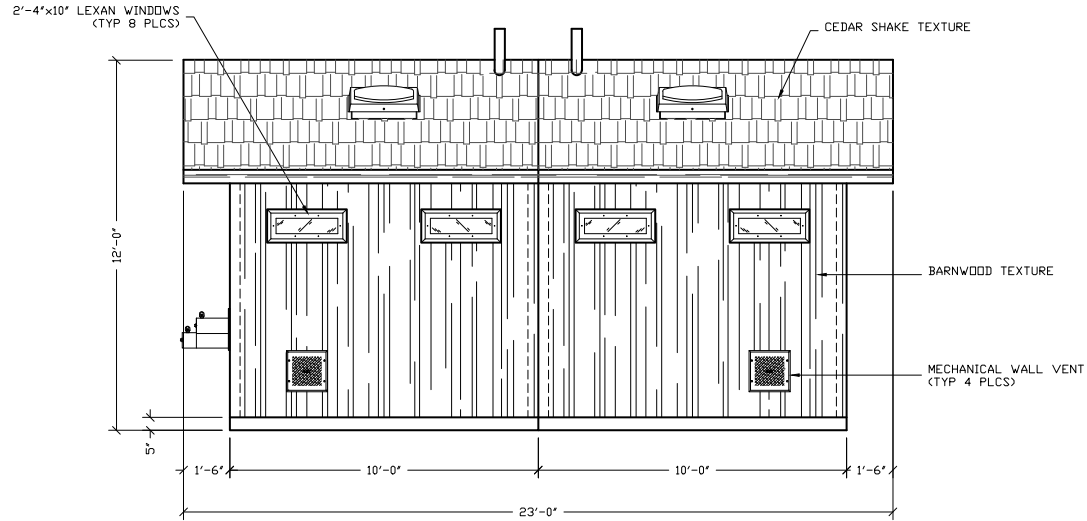
PROJECT FILE
ARAPAHOE
CXT STANDARD BUILDING

NOTICE
The information contained herein is proprietary and the exclusive property of CXT Incorporated. The information may only be used by the original recipient for the purpose intended. Reproduction or distribution of this information is strictly prohibited without the prior written consent of CXT Incorporated. By allowing use of this information, CXT Incorporated grants no warranty, express or implied, including a warranty of merchantability or of fitness for a particular purpose.

REV.	DESCRIPTION	DATE	APPROVED	DATE
SCALE	1/4"=1'-0"	DATE	04-30-16	
DRAWN	FILE NO.	PD-ADA		
CHECKED	PLOT	48		

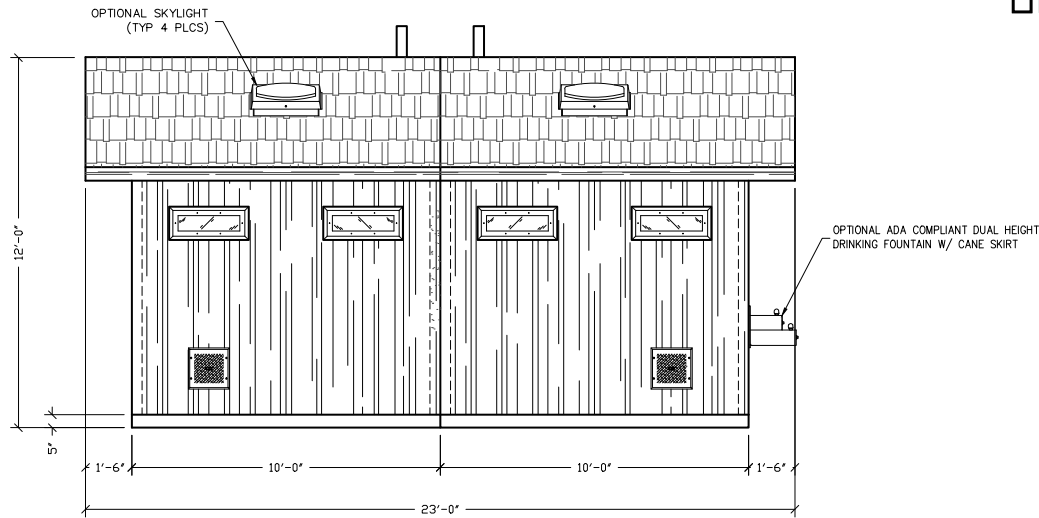
BUILDING ELEVATIONS

DWG NO.	SHEET	REV.
A-04		



RH SIDE ELEVATION

**FOR
REFERENCE
ONLY**



LH SIDE ELEVATION

3808 N. Sullivan Bldg, #7 Spokane, WA 99216



Precast Products

901 N. Highway 77 Hillsboro, TX 76645

PROJECT TITLE
ARAPAHOE
CXT STANDARD BUILDING

NOTICE

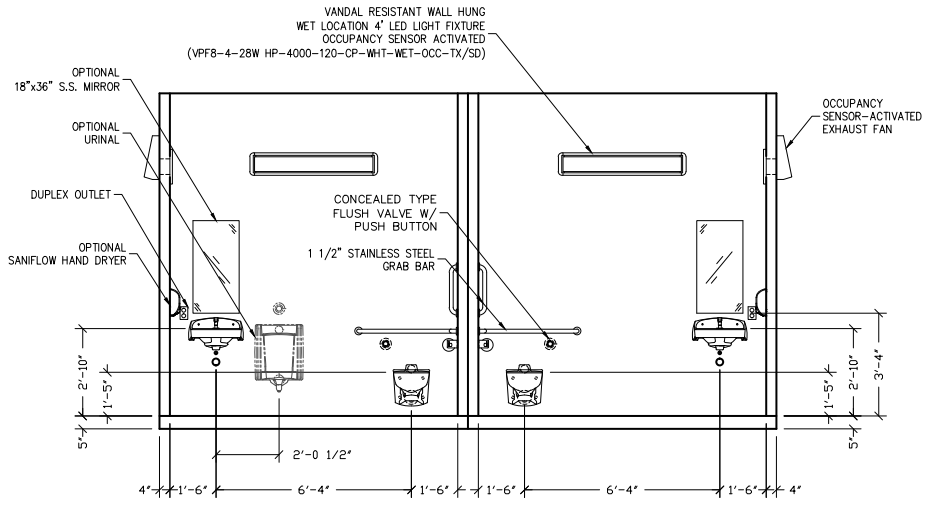
The information contained herein is proprietary and the exclusive property of CXT Incorporated. The information may only be used by the original recipient for the purpose intended. Reproduction or distribution of this information is strictly prohibited without the prior written consent of CXT Incorporated. By allowing use of this information, CXT Incorporated grants no warranty, express or implied, including a warranty of merchantability or of fitness for a particular purpose.

CXT Incorporated

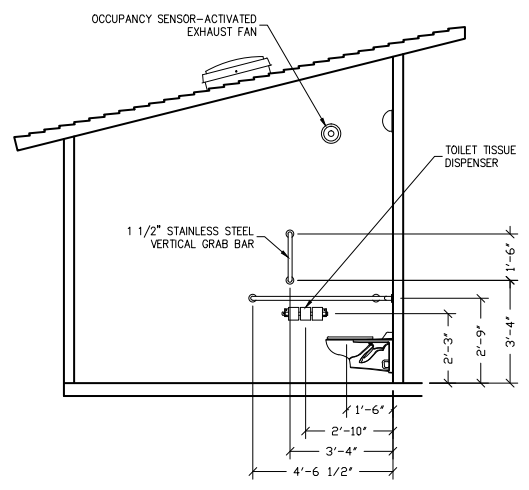
REV.	DESCRIPTION	APPROVED	DATE
SCALE	1/4"=1'-0"	DATE	04-20-16
DRAWN	FILE NO.	FIG.	ADD.
CHECKED	PLOT	48	

BUILDING ELEVATIONS

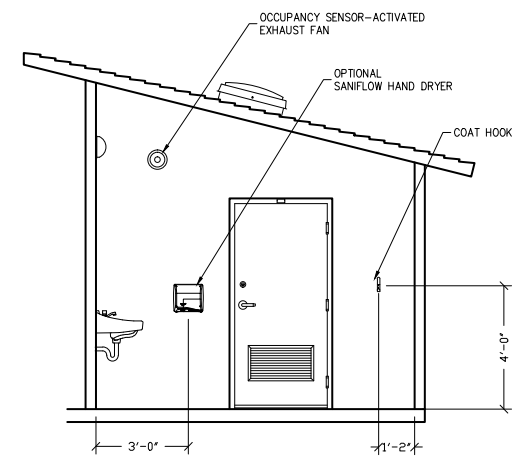
DWG NO.	SHEET	REV.
A-05		



FOR
REFERENCE
ONLY



INTERIOR ELEVATION



INTERIOR ELEVATION

3808 N. Sullivan Bldg. #7 Spokane, WA 99216



PROJECT TITLE
ARAPAHOE
CXT STANDARD BUILDING

NOTICE
The information contained herein is proprietary and the exclusive property of CXT Incorporated. The information may only be used by the original recipient for the purpose intended. Reproduction or distribution of this information is strictly prohibited without the prior written consent of CXT Incorporated. By allowing use of this information, CXT Incorporated grants no warranty, express or implied, including a warranty of merchantability or of fitness for a particular purpose.

REV.	DESCRIPTION	APPROVED	DATE
SCALE	1/4"=1'-0"	DATE	04-20-16
DRAWN	FILE NO.	PG.	40K
CHECKED	PLOT		48

INTERIOR ELEVATIONS

DWG NO. A-06 SHEET REV.