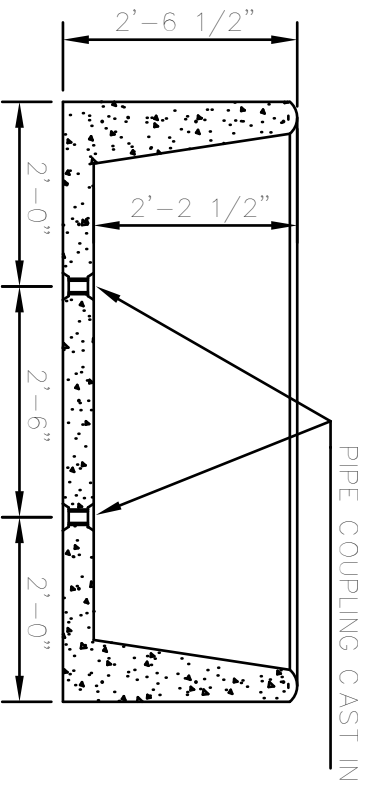
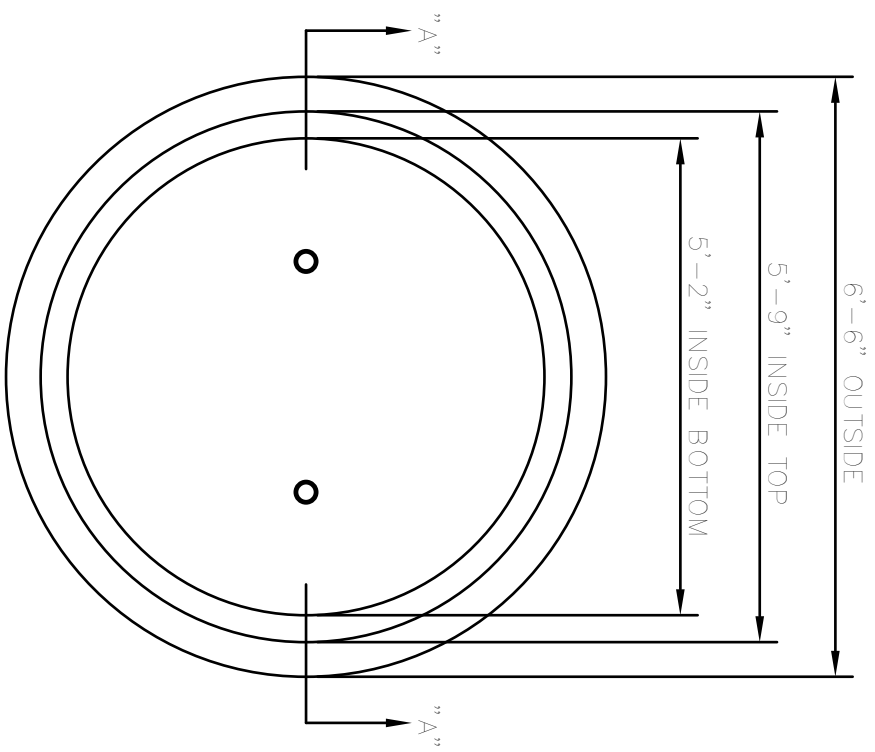


REFORCING CAGE  
 3 PCS #4 X 20' FOR RINGS  
 6 PCS #4 X 110" FOR SADDLES



SECTION "A-A"



PLAN VIEW TOP

**CXT**  
 P.O. BOX 265, WAVERLY, WV 26184-0265  
 PHONE: 800-837-8918  
 FAX: 304-464-4013

400 GALLON WATERER		DWG. NO.	6	6
PROJECT:		1	5	5
LOCATION:		2	4	4
FILE#	JR92022F	3	3	3
DRAWN BY	JOR	4	2	2
DATE	6/23/92	5	1	5/16/97
REV		6		