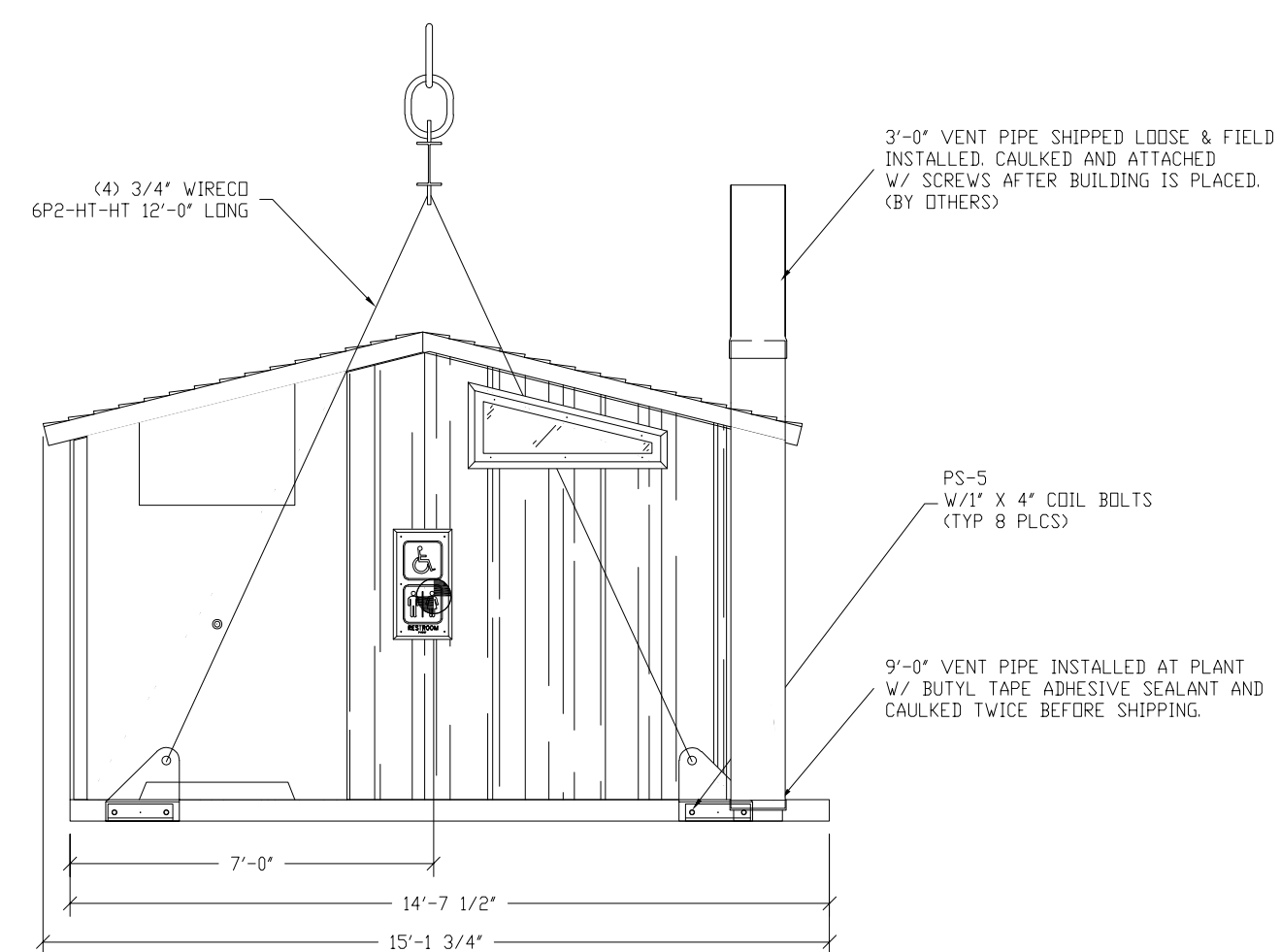
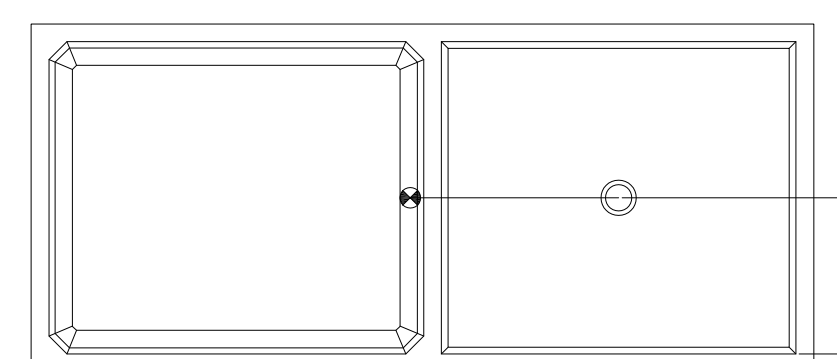


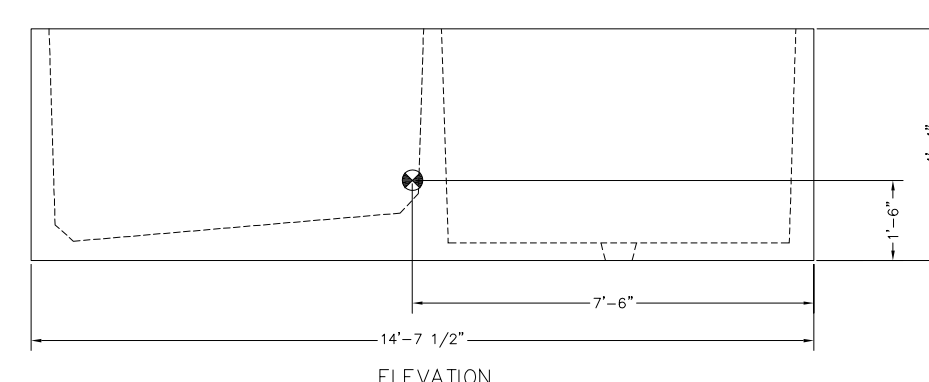
LEFT SIDE ELEVATION



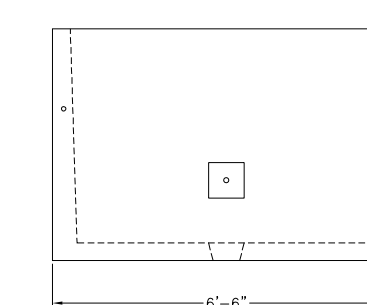
FRONT ELEVATION



PLAN VIEW



ELEVATION



END VIEW



ATS Projects  
725 Opportunity Dr.  
St. Cloud, MN 56301

CREATED BY  
**WER**  
CREATED DATE  
**2023-04-07**

SIZE  
**D** SCALE  
**NTS**

REVISION  
--  
00

REVISIONS

**GUNNISON / VAULT**  
Building Number G-6705  
**Typical Transport Configuration**

- Notes:  
1. Stepdeck Trailer  
2. Tractor 5th wheel 0" forward of center axle.

REV	DESCRIPTION	DATE
1	Notes	1-24-2023