

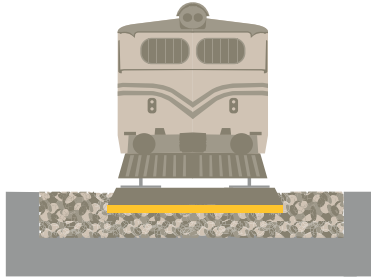
GENIEMat[®] RAIL RTP

RAILWAY TIE PADS ENGINEERED TO
REDUCE VIBRATION AND EXTEND THE LIFE
OF TRACK COMPONENTS



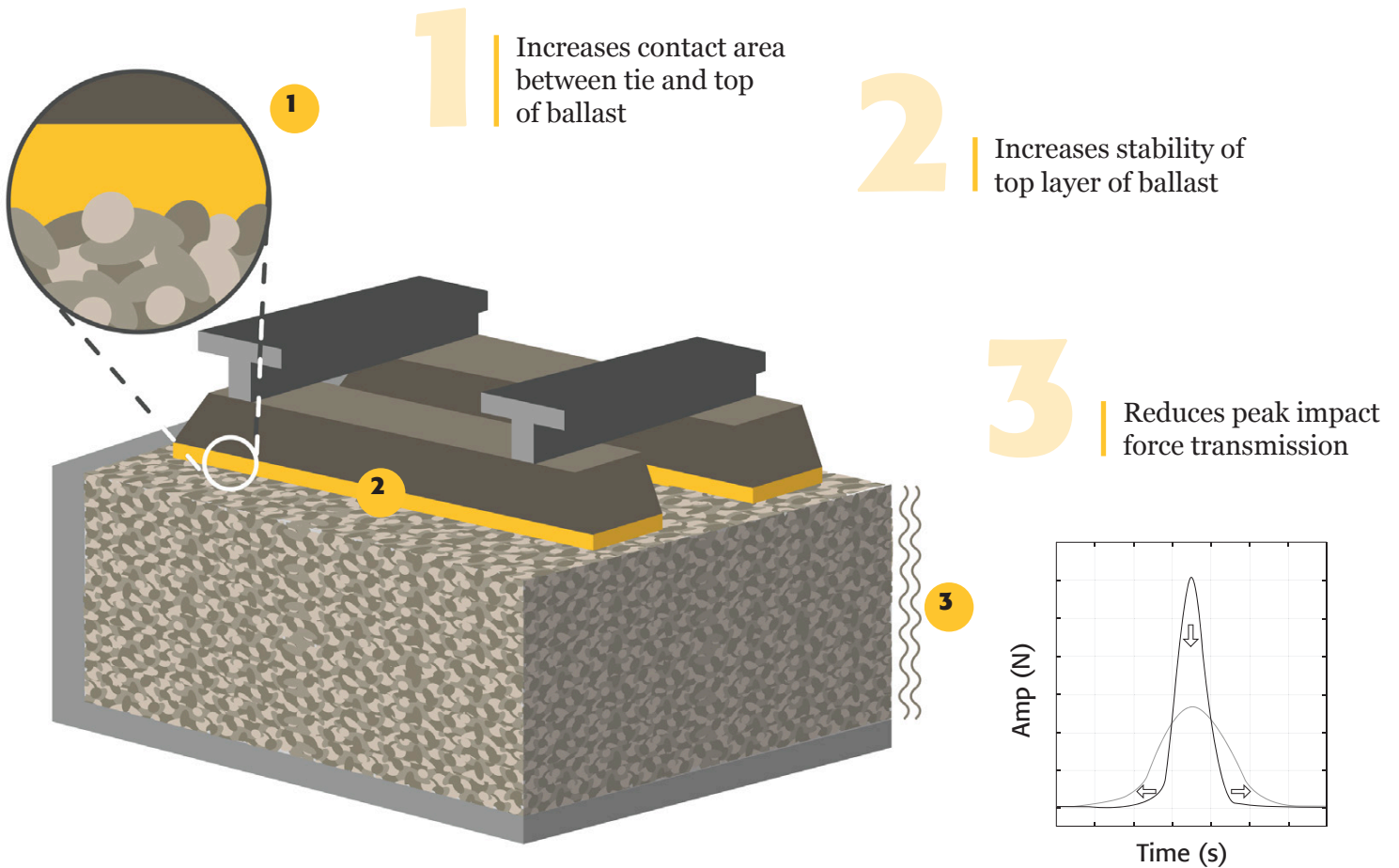
GENIEMAT[®] RAIL RTP

Resilient Railway Tie Pad Technology



RAILWAY TIE PADS

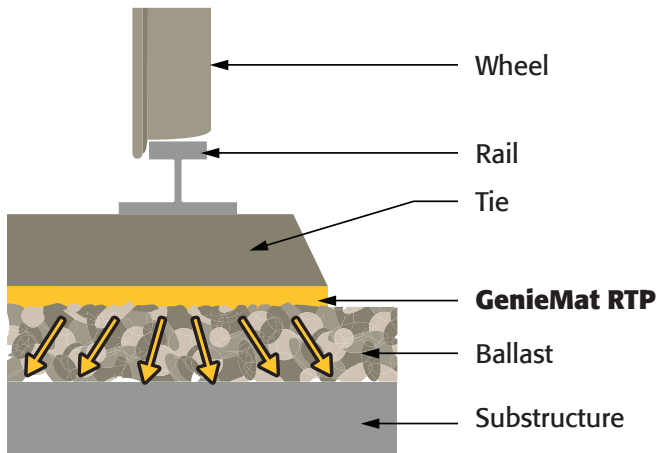
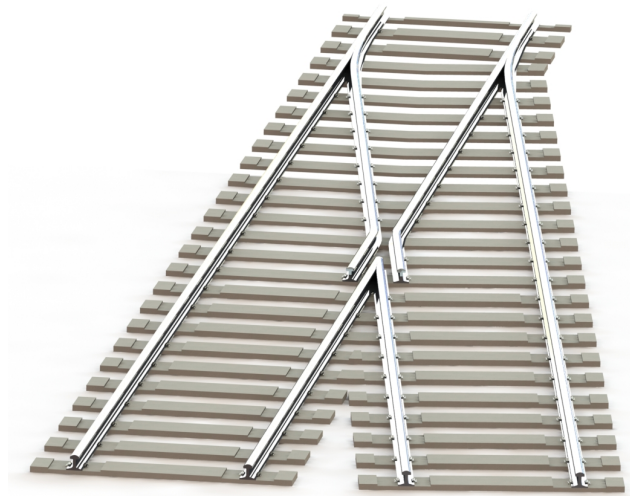
- Engineered for transit and freight rail lines
- Provides ground-borne vibration isolation in critical locations
- Proven to dramatically increase time between required tamping operations
- Permanently resilient elastomer



REDUCES IMPACTS & MAXIMIZE TRACK COMPONENT LIFESPAN

The inherently mixed geometry of ties in turnout areas creates a change in stiffness. If these areas are left untreated, track components will suffer a shortened lifespan and increased maintenance costs.

To reduce impacts in track switch areas, engineers use FEA and tie geometry to specify **GenieMat RTP** products that will moderate stiffness and equalize deflection throughout.



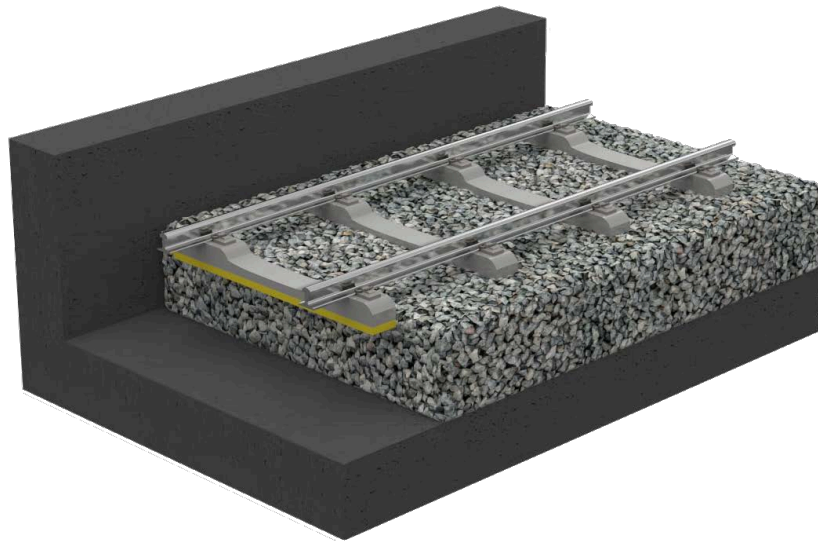
GenieMat RTP Railway Tie Pads protect track components by reducing impacts and dispersing load over a greater area of ballast.

GenieMat RTP is the most cost-effective method for vibration reduction in noise-sensitive areas.



GENIEMat® RAIL RTP - RAILWAY TIE PADS

VIBRATION ISOLATION SYSTEM FOR RAIL



PRODUCT SPECIFICATION

PRODUCT NAME: GenieMat RAIL RTP

DESCRIPTION:

GenieMat RAIL RTP tie pads are engineered according to project requirements to provide vibration isolation and reduce ballast stress.

PROPERTY	GENIEMAT RTP120	GENIEMAT RTP150	GENIEMAT RTP180
USE CASE:	Light Rail	Commuter /Heavy Rail	Freight Rail
STATIC BEDDING MODULUS:	>120 N/mm ³	>150 N/mm ³	>180 N/mm ³
DIMENSIONS:	Width and length to spec, shop drawings available upon request.	Width and length to spec, shop drawings available upon request.	Width and length to spec, shop drawings available upon request.
ELASTOMER:	Rubber		
TEMPERATURE RANGE:	Suitable for service where GenieMat RAIL RTP temperatures range between -40°C and +110°C (-40°F and 230°F).		

CONTACT Us

For Your Project Specific Questions
T. 416.449.0049 | **E.** info@pliteq.com

© Pliteq Inc. 2021.

®™ Trademarks of Pliteq Inc. The information provided is accurate to the best of our knowledge at the time of issue. However, we reserve the right to make changes when necessary without further notification. Suggested application may need to be modified to conform with local building codes and conditions. We cannot accept responsibility for products that are not used, or installed, to our specifications. All listed dimensions are nominal.



www.pliteq.com