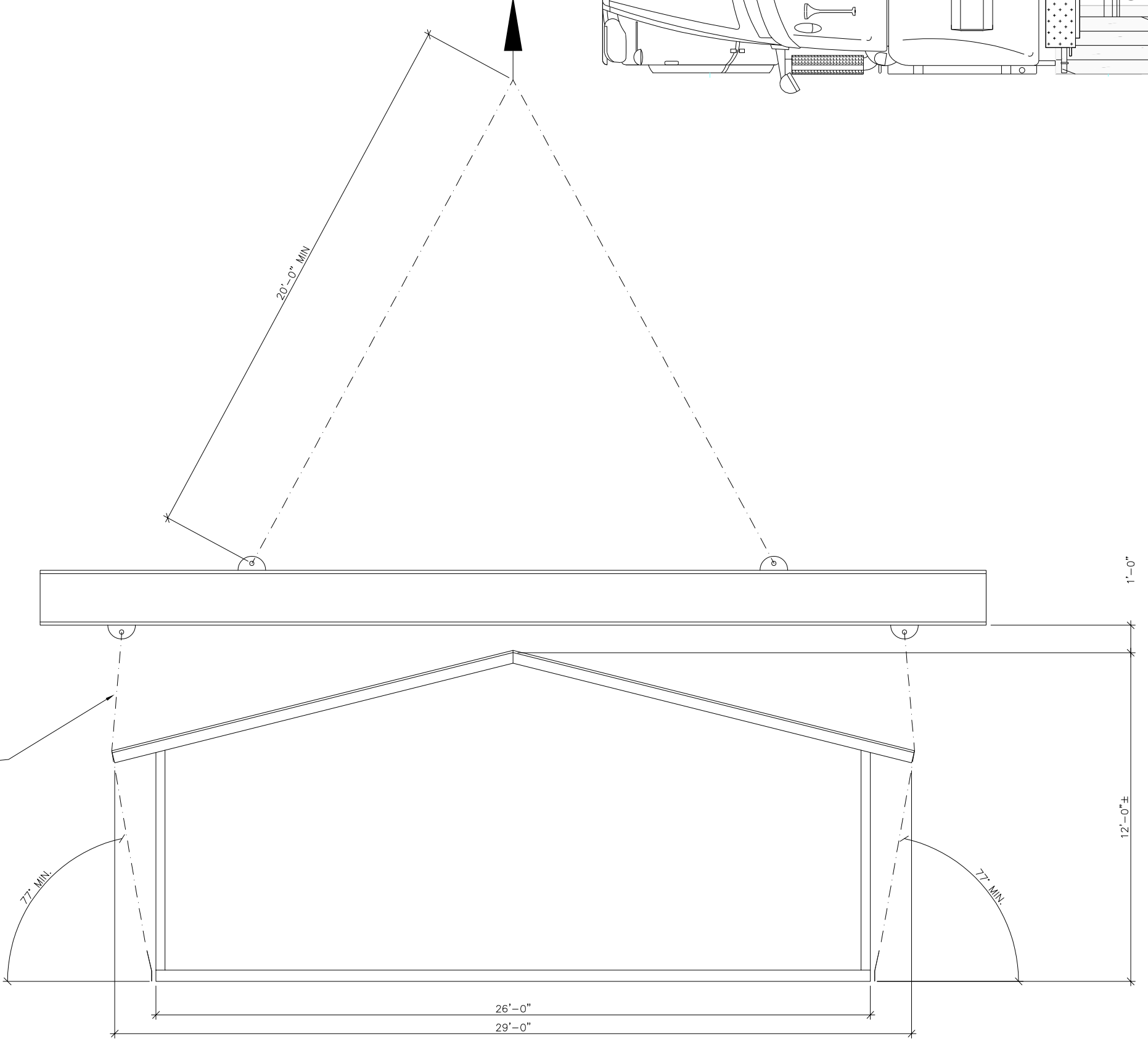
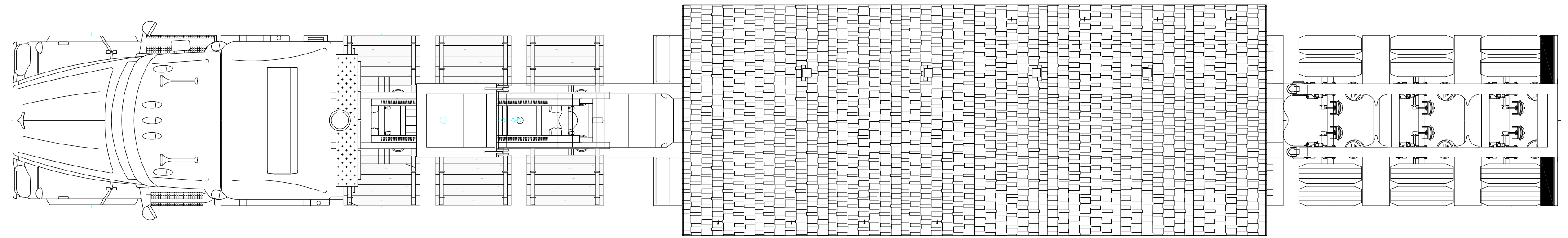
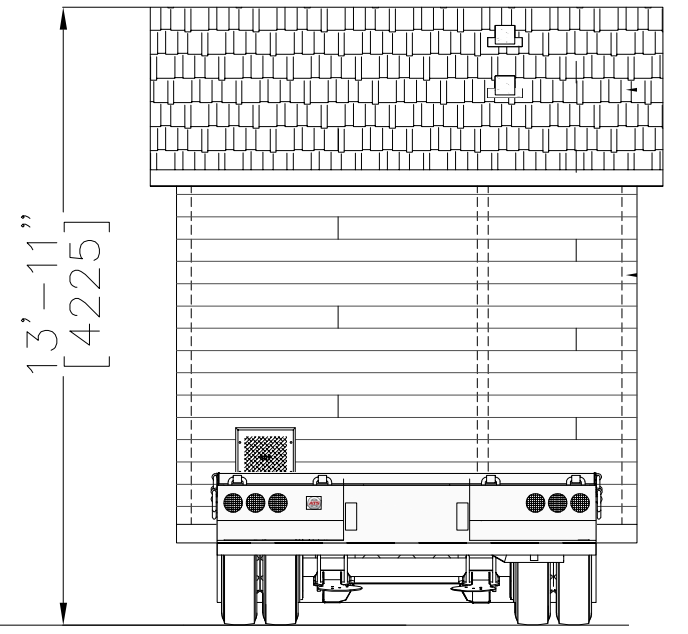
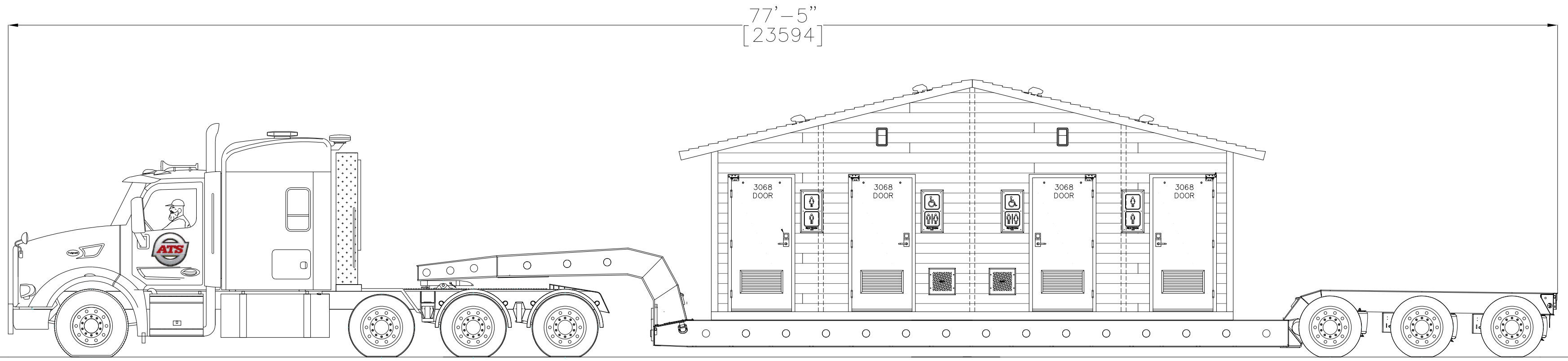
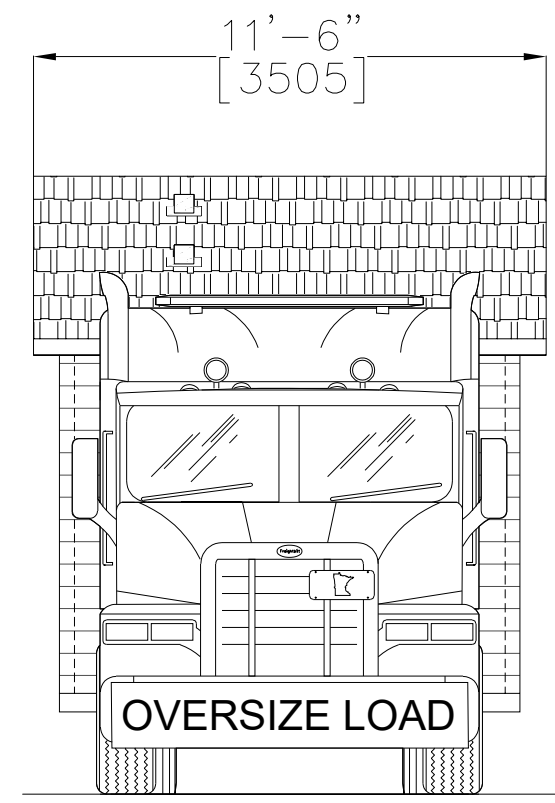


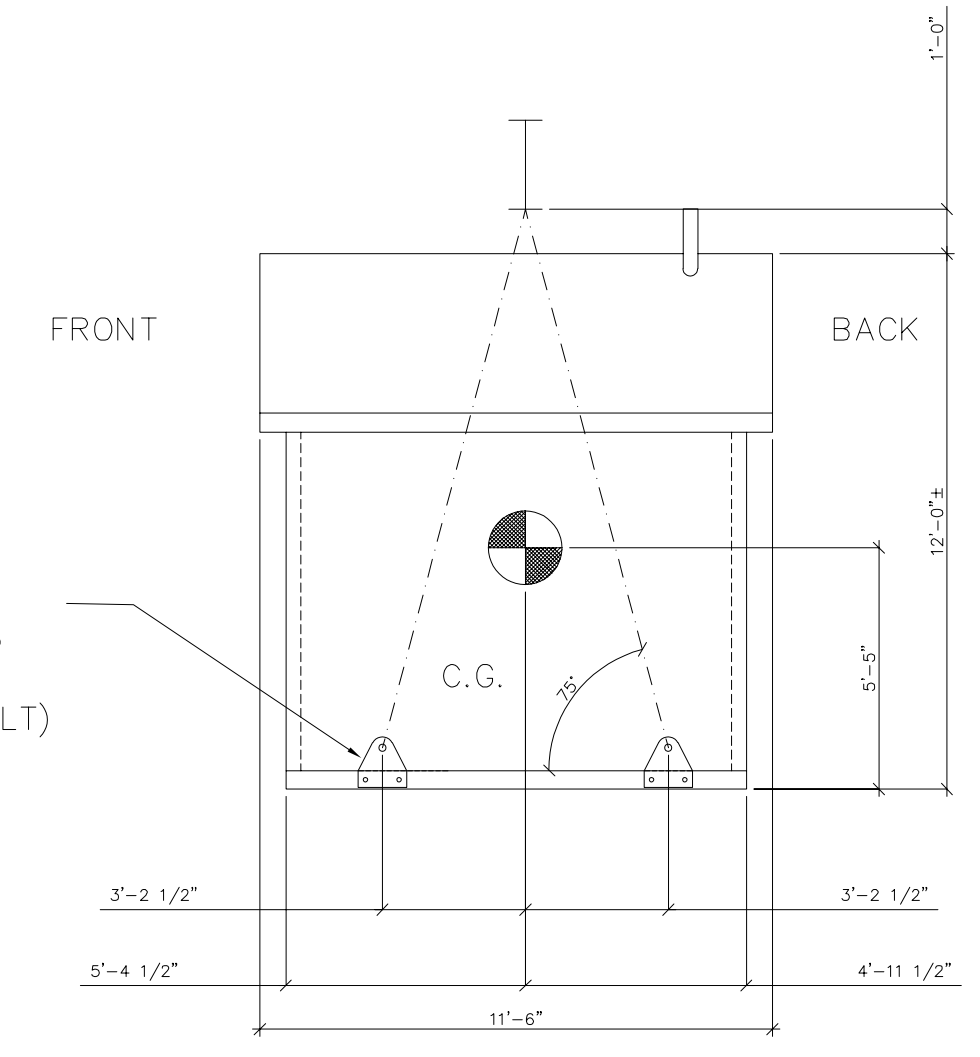
8 7 6 5 4 3 2 1

D
C
B
A



CRANE LIFTING SCHEMATIC – UNIT A

PS-22 LIFTING I. ATTACH TO AS-3 EMBEDS W/(2) 1 1/2"Ø HIGH TENSILE COIL BOLTS (SHEAR CAPACITY = 18,000# PER BOLT)



CRANE LIFTING SCHEMATIC – END VIEW



SANTIAGO
Building Number S-399
Typical Transport Configuration
Notes:
1. 4ax Tractor + 3ax RGN Trailer
2. Tractor 5th wheel 18" forward of center axle.

ATS Projects
725 Opportunity Dr.
St. Cloud, MN 56301

CREATED BY
WER
CREATED DATE
2023-04-011

SIZE
D
SCALE
NTS
REVISION
REV
00
REVISION DATE

REVISIONS		DESCRIPTION	DATE
1	Notes		1-24-2023

DRAWING NO. 20230411-005 MFR DWG. S-05 SHEET **01**

8 7 6 5 4 3 2 1