

FOR  
REFERENCE  
ONLY



PROJECT TITLE  
**CHEYENNE**  
CXT STANDARD BUILDING

NOTICE  
The information contained herein is proprietary and the exclusive property of CXT Incorporated. The information may only be used by the original recipient for the purpose intended. Reproduction or distribution of this information is strictly prohibited without the prior written consent of CXT Incorporated. By allowing use of this information, CXT Incorporated grants no warranty, express or implied, including a warranty of merchantability or of fitness for a particular purpose.

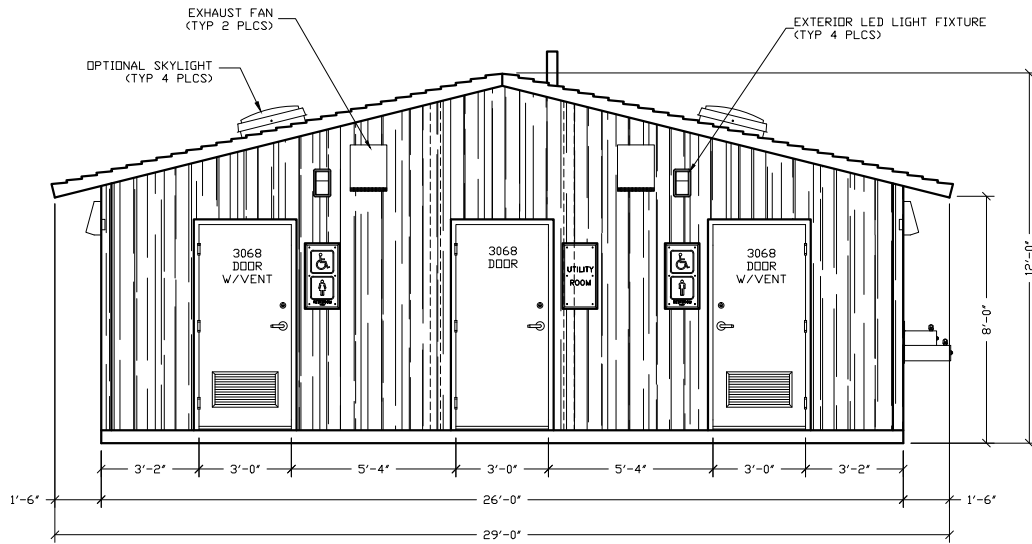
REV.	DESCRIPTION	APPROVAL	DATE

SCALE	1/4"=1'-0"	DATE	06-20-16
DRAWN	FILE NO.	90-CH03	
CHECKED	PLOT	48	

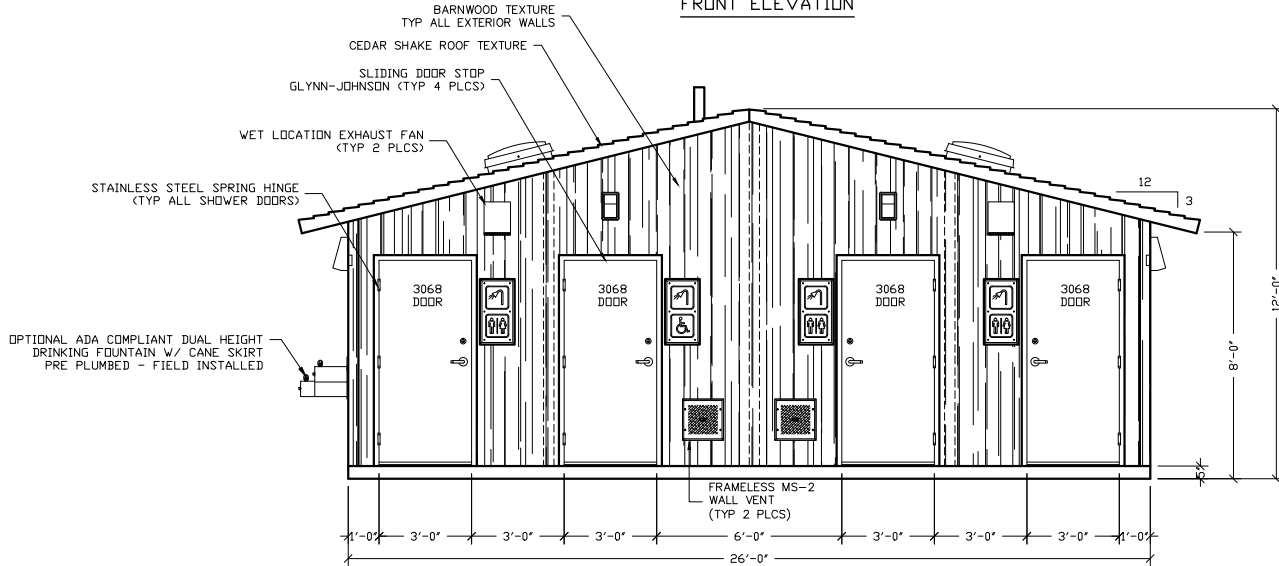
**FLOOR PLAN**

DWG NO.	SHEET	REV.
CH-03		

FOR  
REFERENCE  
ONLY



FRONT ELEVATION



REAR ELEVATION



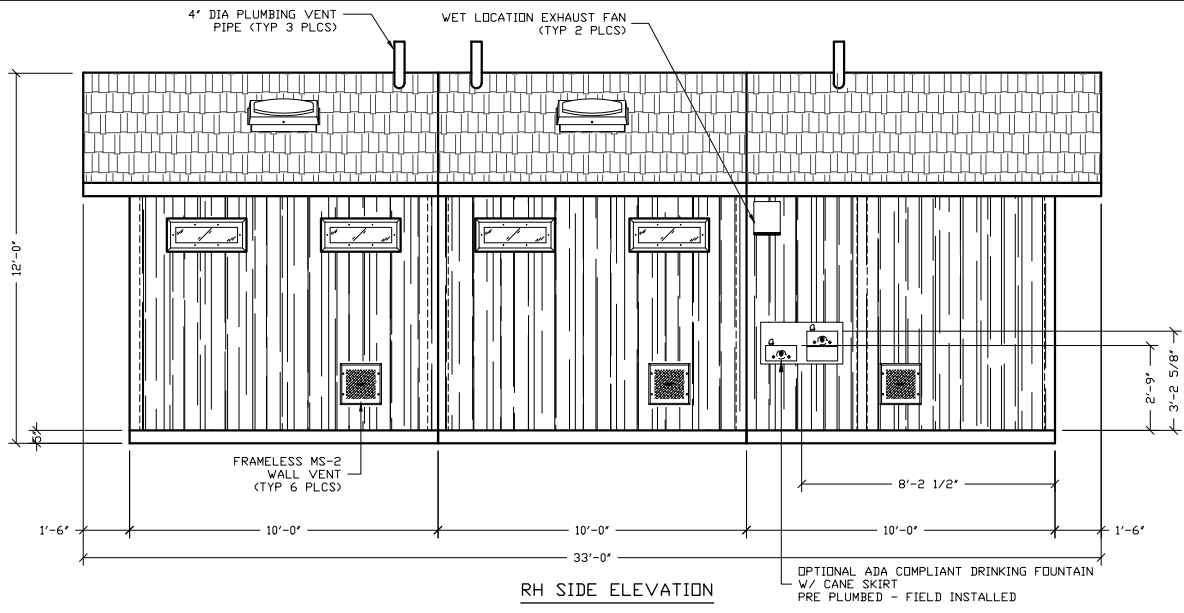
PROJECT FILE  
CHEYENNE  
CXT STANDARD BUILDING

NOTICE  
The information contained herein is proprietary and the exclusive property of CXT Incorporated. The information may only be used by the original recipient for the purpose intended. Reproduction or distribution of this information is strictly prohibited without the prior written consent of CXT Incorporated. By allowing use of this information, CXT Incorporated grants no warranty, express or implied, including a warranty of merchantability or of fitness for a particular purpose.  
CXT Incorporated

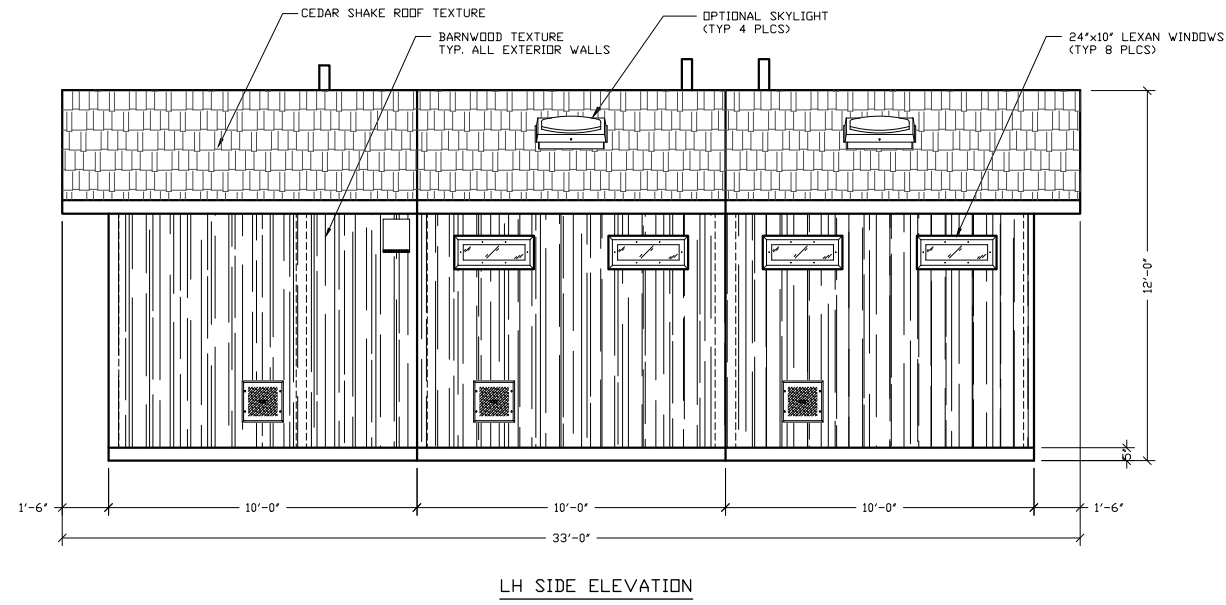
REV.	DESCRIPTION	DATE	APPROVAL	DATE
SCALE	1/4"=1'-0"	DATE	04-20-18	
DRAWN		FILE NO.	90-CH04	
CHECKED		PLOT	48	

BUILDING ELEVATIONS

DWG NO.	SHEET	REV.
CH-04		



FOR REFERENCE ONLY



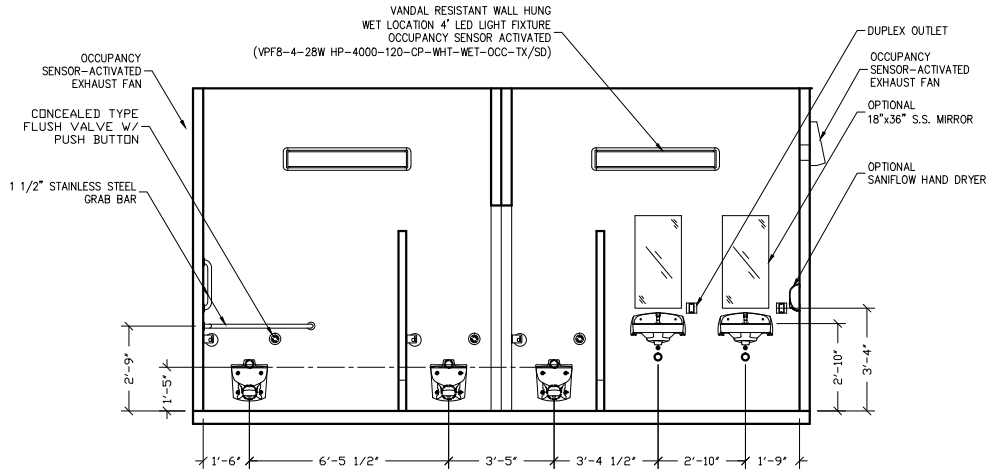
PROJECT FILE  
CHEYENNE  
CXT STANDARD BUILDING

NOTICE  
The information contained herein is proprietary and the exclusive property of CXT Incorporated. The information may only be used by the original recipient for the purpose intended. Reproduction or distribution of this information is strictly prohibited without the prior written consent of CXT Incorporated. By allowing use of this information, CXT Incorporated grants no warranty, express or implied, including a warranty of merchantability or of fitness for a particular purpose.

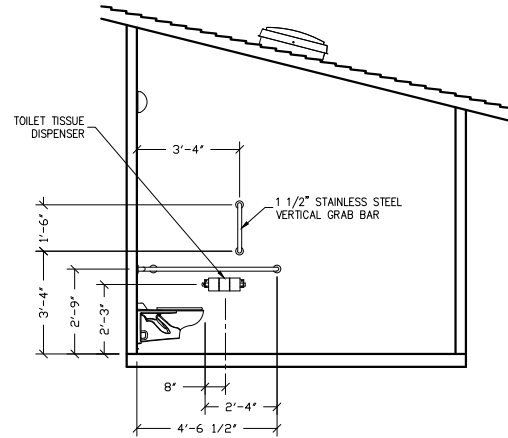
REV.	DESCRIPTION	APPROVED	DATE
SCALE	1/4"=1'-0"	DATE	04-20-18
DRAWN	FILE NO.	90-CHS	
CHECKED	PLOT	48	

BUILDING ELEVATIONS

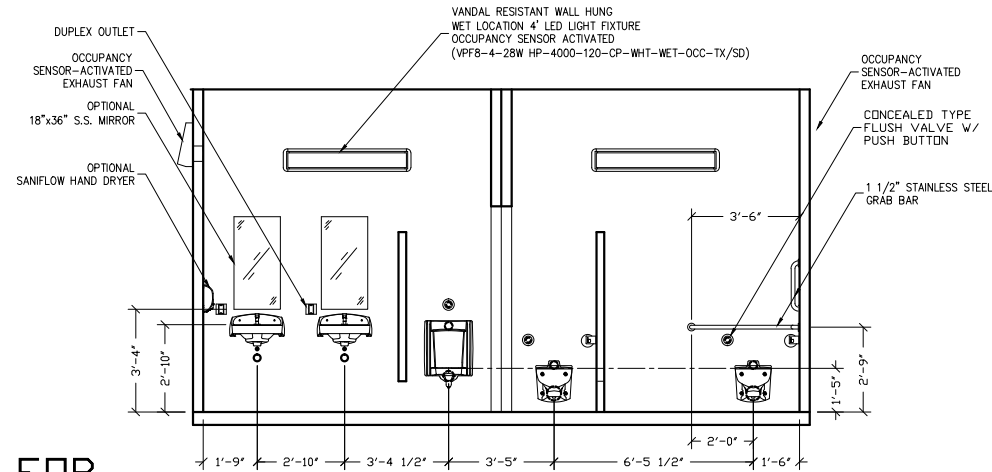
DWG NO.	SHEET	REV.
CH-05		



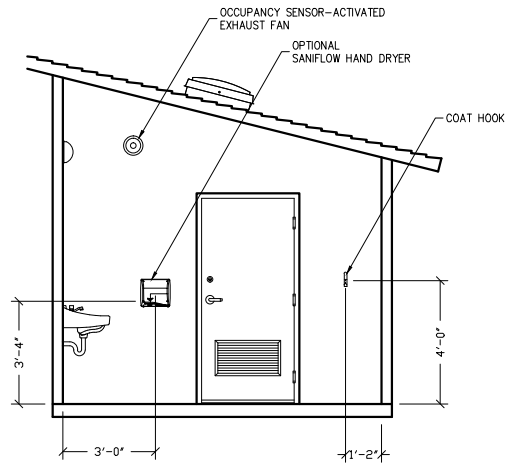
INTERIOR ELEVATION - WOMEN'S RESTROOM



INTERIOR ELEVATION - MEN'S RESTROOM  
WOMEN'S OPPOSITE HAND



INTERIOR ELEVATION - MEN'S RESTROOM



INTERIOR ELEVATION - WOMEN'S RESTROOM  
MENS OPPOSITE HAND

FOR  
REFERENCE  
ONLY



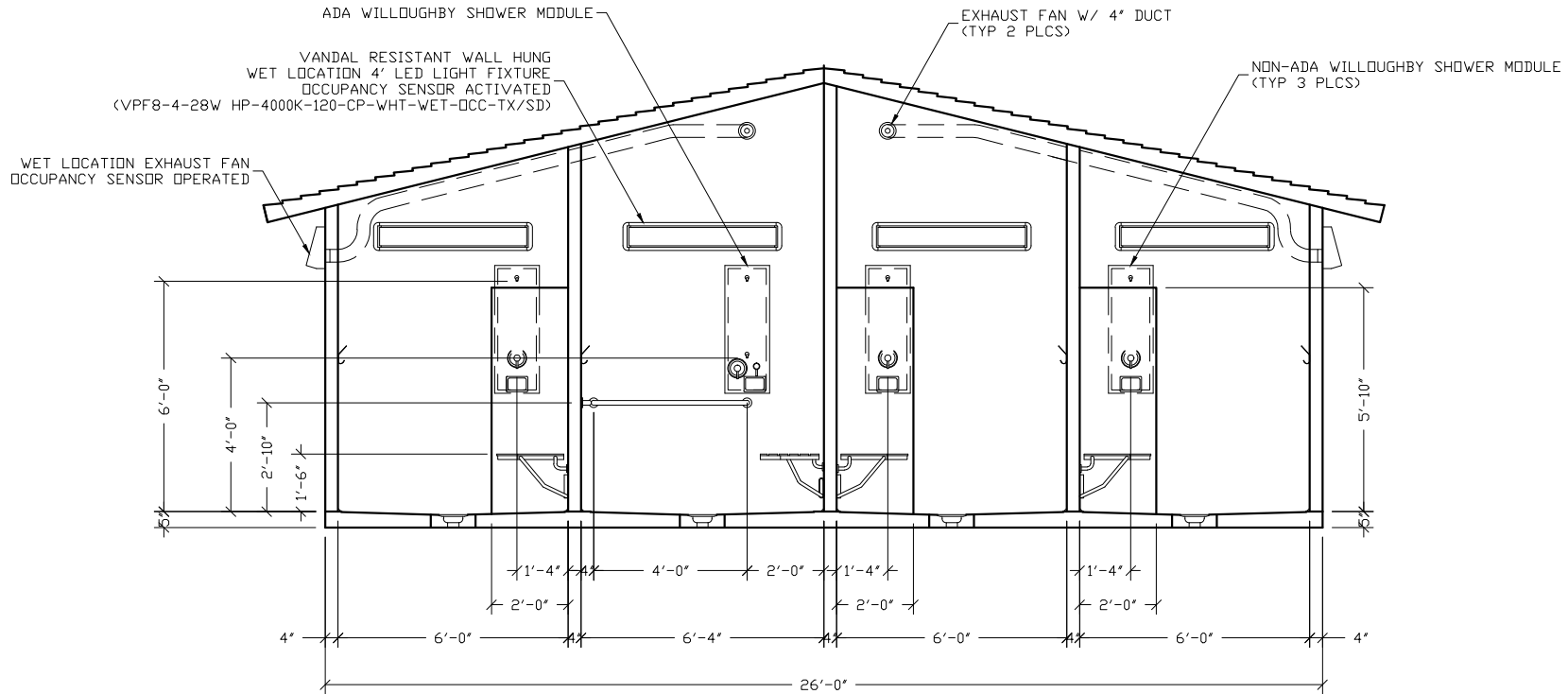
PROJECT TITLE  
CHEYENNE  
CXT STANDARD BUILDING

NOTICE  
The information contained herein is proprietary and the exclusive property of CXT Incorporated. The information may only be used by the original recipient for the purpose intended. Reproduction or distribution of this information is strictly prohibited without the prior written consent of CXT Incorporated. By allowing use of this information, CXT Incorporated grants no warranty, express or implied, including a warranty of merchantability or of fitness for a particular purpose.

REV.	DESCRIPTION	APPROVED	DATE
SCALE	1/4"=1'-0"	DATE	04-20-18
DRAWN	FILE NO.	PD	CH06
CHECKED	PLOT		

INTERIOR ELEVATIONS

DWG NO.	SHEET	REV.
CH-06		



FOR  
REFERENCE  
ONLY



PROJECT FILE  
CHEYENNE  
CXT STANDARD BUILDING

NOTICE  
The information contained herein is proprietary and the exclusive property of CXT Incorporated. The information may only be used by the original recipient for the purpose intended. Reproduction or distribution of this information is strictly prohibited without the prior written consent of CXT Incorporated. By allowing use of this information, CXT Incorporated grants no warranty, express or implied, including a warranty of merchantability or of fitness for a particular purpose.

REV.	DESCRIPTION	DATE	APPROVAL	DATE
SCALE	1/4"=1'-0"	DATE	04-20-18	
DRAWN		FILE NO.	90-CH07	
CHECKED		PLOT	48	

SHOWER  
INTERIOR ELEVATIONS

DWG NO.	SHEET	REV.
CH-07		