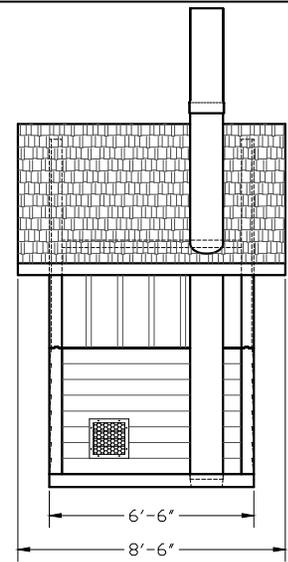
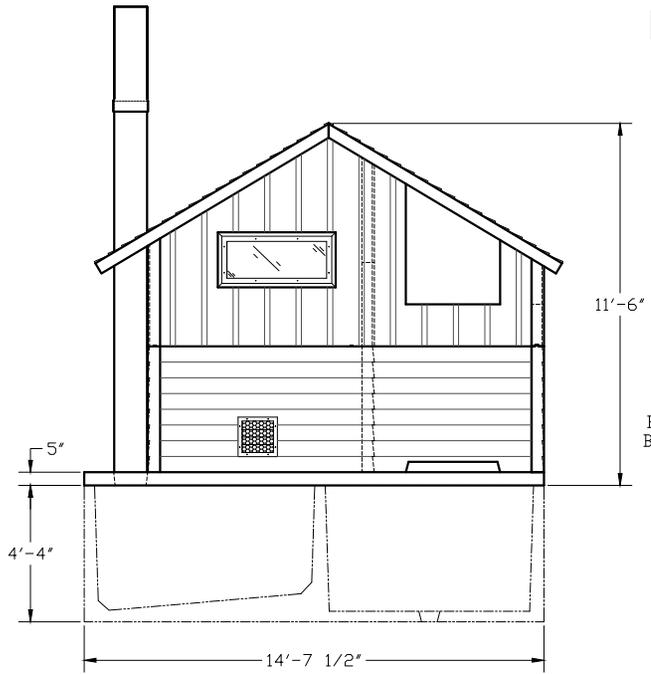


FRONT ELEVATION

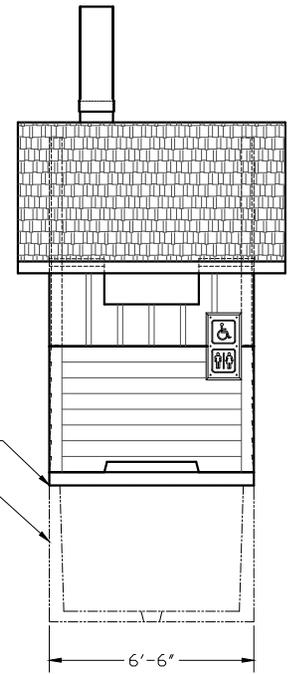


RIGHT SIDE ELEVATION

FOR
REFERENCE
ONLY



REAR ELEVATION



LEFT SIDE ELEVATION

BUILDING-TO-VAULT CONNECTION:
BUTYL TAPE ADHESIVE SEALANT-
SEE ATTACHED CUT SHEET.

VAULT 2
(SEE DWG #V2-1)

EMBEDDED MATERIALS			
ITEM	QTY	ITEM	QTY
SI-2	2		
VENT PIPE 12'-0"	1		
ANCHOR NAIL 1/4x3/4	12		
VENT PIPE 3'-0"	1		

CU. FT. CONC.	SO. FT. W.W.F.	APPROXIMATE WEIGHT



PROJECT TITLE
CASCADIAN LEFT HAND
CXT STANDARD BUILDING

NOTICE
The information contained herein is proprietary and the exclusive property of CXT Incorporated. The information may only be used by the original recipient for the purpose intended. Reproduction or distribution of this information is strictly prohibited without the prior written consent of CXT Incorporated. By allowing use of this information, CXT Incorporated grants no warranty, express or implied, including a warranty of merchantability or of fitness for a particular purpose.

CXT Incorporated			

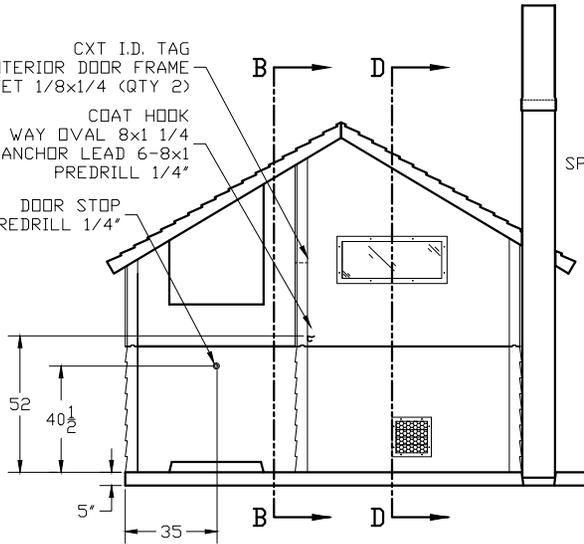
REV.	DESCRIPTION	APPROVAL	DATE
SCALE	1/4"=1'-0"	DATE	07-19-16
DRAWN		FILE NO.	PD-C02
CHECKED		PLOT	48

BUILDING ELEVATIONS

DWG NO.	SHEET	REV.
C-02		

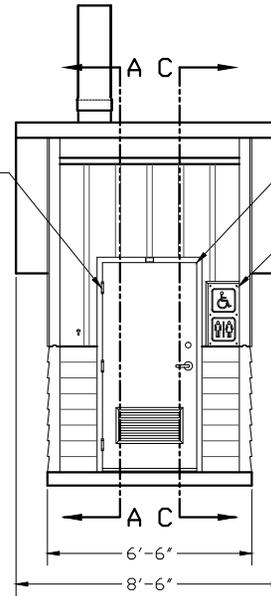
CXT I.D. TAG
 CENTER ON INTERIOR DOOR FRAME
 BLIND RIVET 1/8x1/4 (QTY 2)
 COAT HOOK
 ONE WAY OVAL 8x1 1/4
 ANCHOR LEAD 6-8x1
 PREDRILL 1/4"

DOOR STOP
 PREDRILL 1/4"



SECTION A - A

SPRING HINGE 4.5x4.5
 (TYP 3 PLCS)



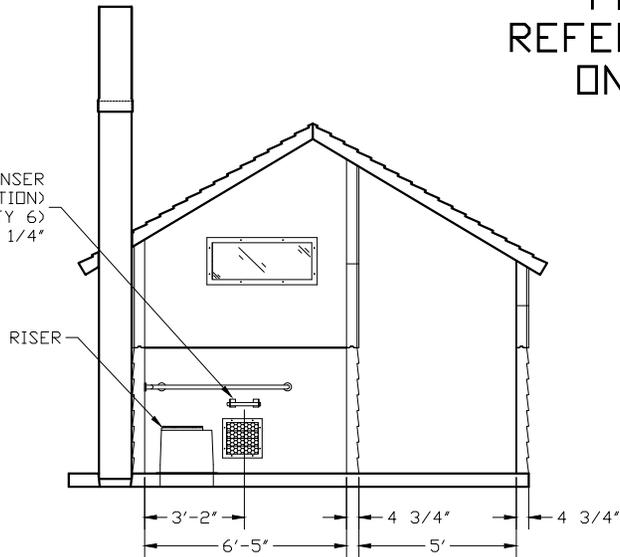
SECTION B - B

3068 DOOR
 (FIELD INSTALLED)
 SEE MI FOR SPECIFICATION

SIGN (SI-2)
 ANCHOR NAIL 1/4 x 3/4 (QTY 6)
 PREDRILL 1/4"

FOR
 REFERENCE
 ONLY

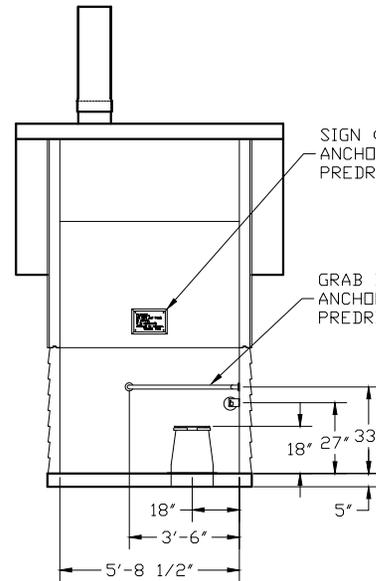
TP DISPENSER
 (SEE MI FOR SPECIFICATION)
 ANCHOR NAIL 1/4x1 (QTY 6)
 PREDRILL 1/4"



SECTION C - C

SIGN (SI-1)
 ANCHOR NAIL 1/4x3/4 (QTY 4)
 PREDRILL 1/4"

GRAB BAR
 ANCHOR NAIL 3/16x7/8 (QTY 9)
 PREDRILL HOLE 3/16" DIA



SECTION D - D

EMBEDDED MATERIALS			
ITEM	QTY	ITEM	QTY
RISER	1	ONE WAY OVAL 8x1 1/4	2
GRAB BAR	1	ANCHOR LEAD 6-8x1	2
TP DISPENSER	1	BLIND RIVET 1/8x1/4	2
TOILET PAPER ROLL	2-3	3068 DOOR ASSEMBLY	1
COAT HOOK	1	SPRING HINGE 4.5x4.5	3
DOOR STOP	1		
SI-1	1		
SI-2	1		
CXT I.D. TAG	1		
ANCHOR NAIL 1/4x1	6		
ANCHOR NAIL 1/4x3/4	10		
ANCHOR NAIL 3/16x7/8	9		
CU. FT. CONC.		SQ. FT. W.W.F.	APPROXIMATE WEIGHT



PROJECT TITLE
**CASCADIAN LEFT HAND
 CXT STANDARD BUILDING**

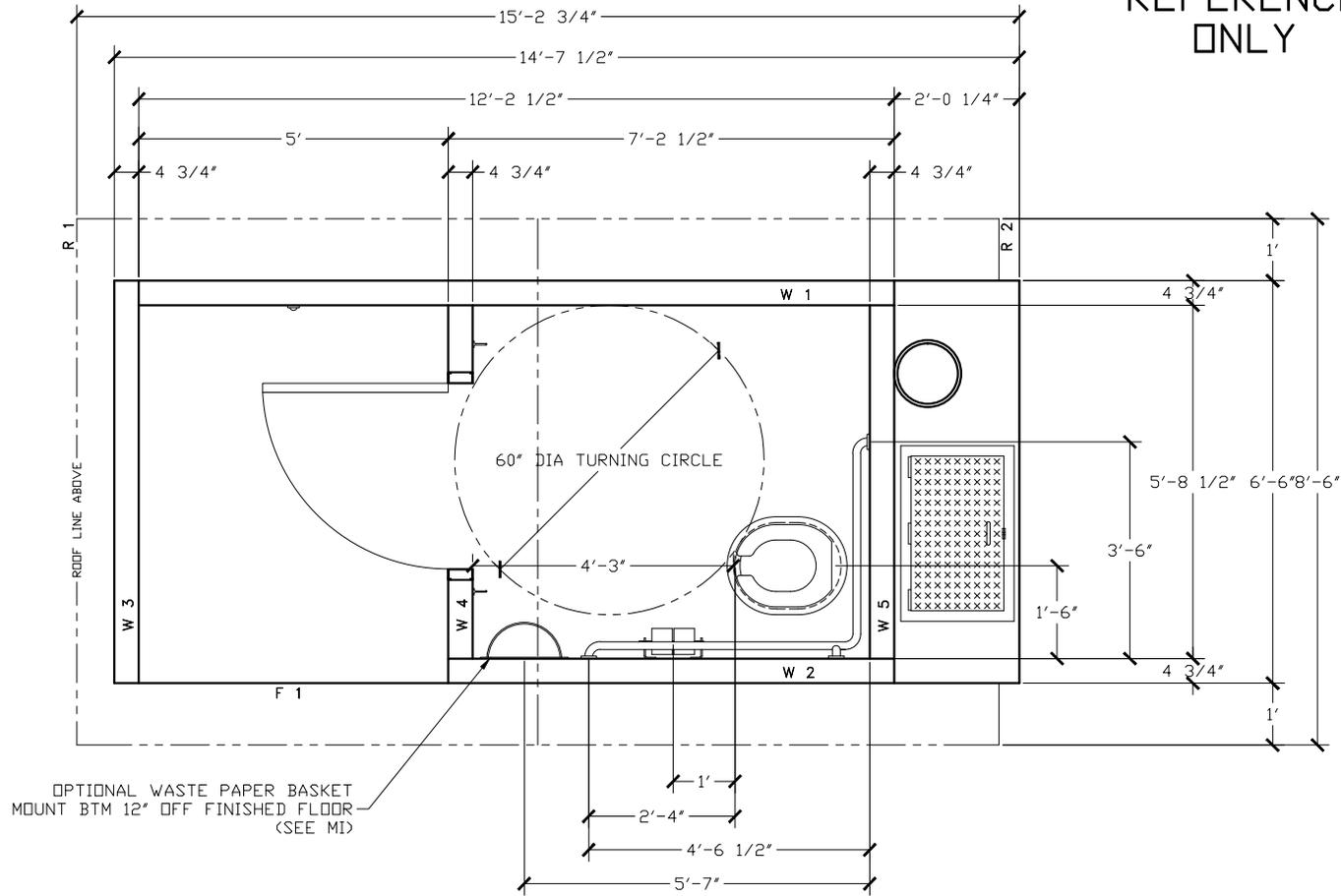
NOTICE
 The information contained herein is proprietary and the exclusive property of CXT Incorporated. The information may only be used by the original recipient for the purpose intended. Reproduction or distribution of this information is strictly prohibited without the prior written consent of CXT Incorporated. By allowing use of this information, CXT Incorporated grants no warranty, express or implied, including a warranty of merchantability or of fitness for a particular purpose.

REV.	DESCRIPTION	APPROVAL	DATE
SCALE	1/4"=1'-0"	DATE	07-19-16
DRAWN	FILE NO.	PD-C03	
CHECKED	PLOT	48	

INTERIOR ELEVATIONS

DWG NO. C-03	SHEET	REV.
------------------------	-------	------

FOR
REFERENCE
ONLY



PROJECT TITLE
CASCADIAN LEFT HAND
CXT STANDARD BUILDING

NOTICE

The information contained herein is proprietary and the exclusive property of CXT Incorporated. The information may only be used by the original recipient for the purpose intended. Reproduction or distribution of this information is strictly prohibited without the prior written consent of CXT Incorporated. By allowing use of this information, CXT Incorporated grants no warranty, express or implied, including a warranty of merchantability or of fitness for a particular purpose.

CXT Incorporated

REV.	DESCRIPTION	APPROVAL	DATE
SCALE	1/2"=1'-0"	DATE	07-19-16
DRAWN	FILE NO.	PD-C04	
CHECKED	PLOT	24	

FLOOR PLAN

DWG NO. C-04	SHEET /	REV.
-----------------	------------	------