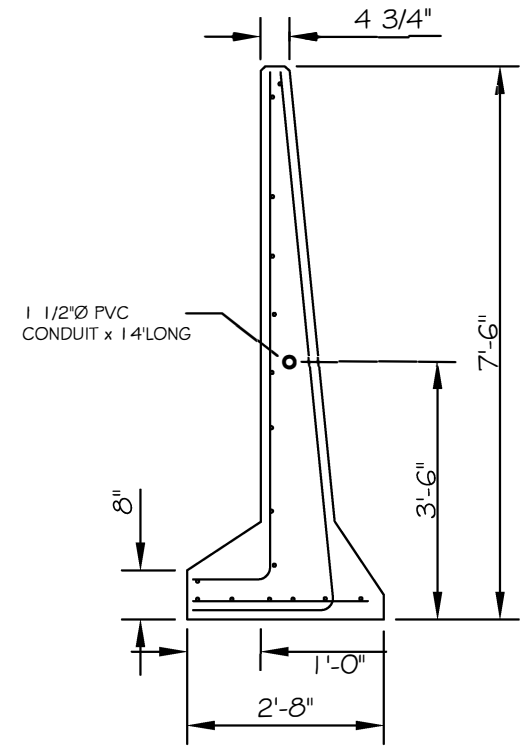
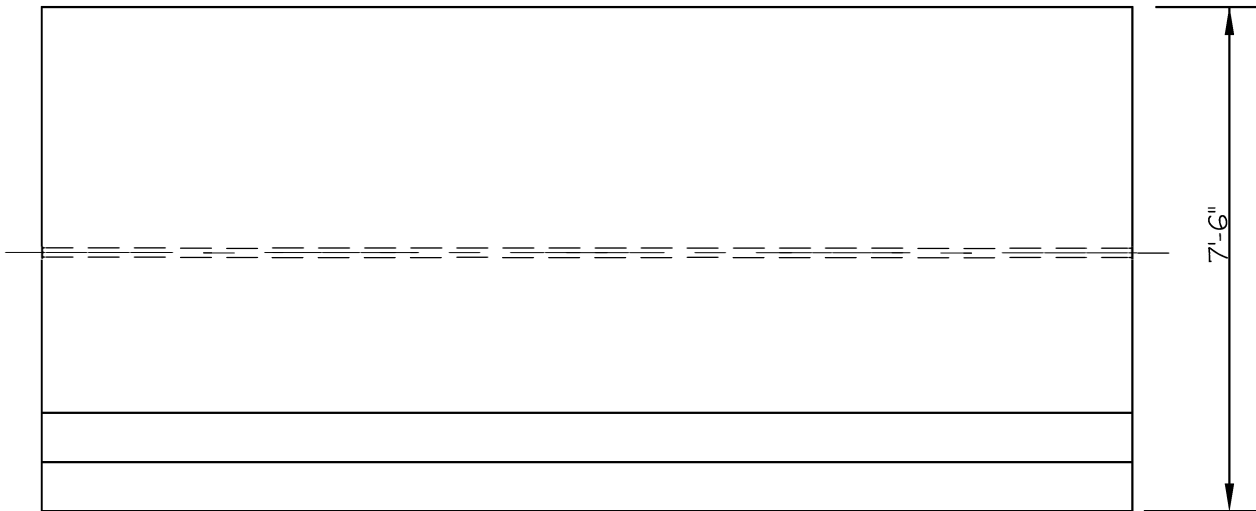


TOP VIEW



SECTION A-A



FRONT VIEW

PUSHWALL			
			DWG. NO.
PHONE: 800-837-8918			
<b>CXT</b> <sup>®</sup>			OF
P.O. Box 265, WAVERLY, WV 26184-0265			
DRAWN	KJK	FILE	DATE
			4/13/2012