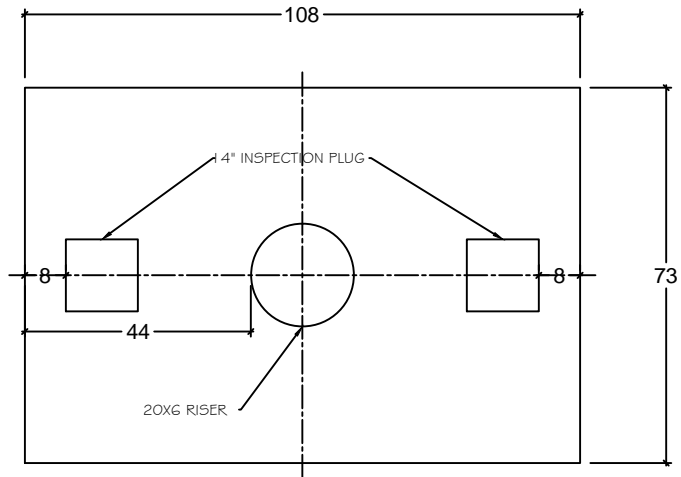
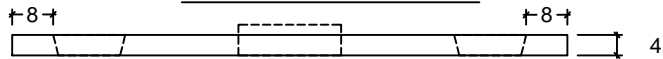


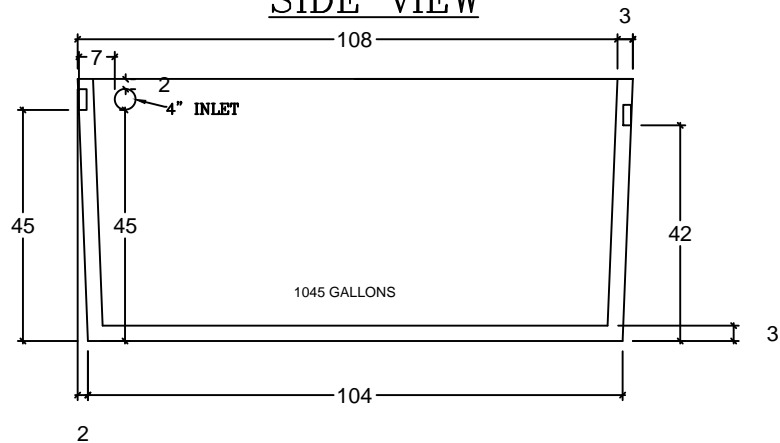
LID VIEW



LID SIDE VIEW



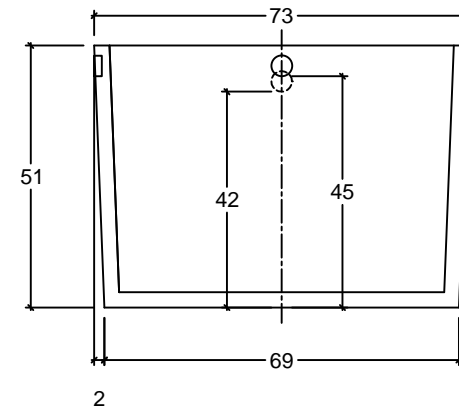
SIDE VIEW



NOTES:

1. 28-DAY COMPRESSION STRENGTH = 5000 psi
2. ALL REINFORCING STEEL IS TO BE UNCOATED GRADE 60
3. MINIMUM #3 BAR LAP IS NOT TO BE LESS THAN 1'-6"
4. 4" LID TO BE REINFORCED WITH #4 REBAR

END VIEW



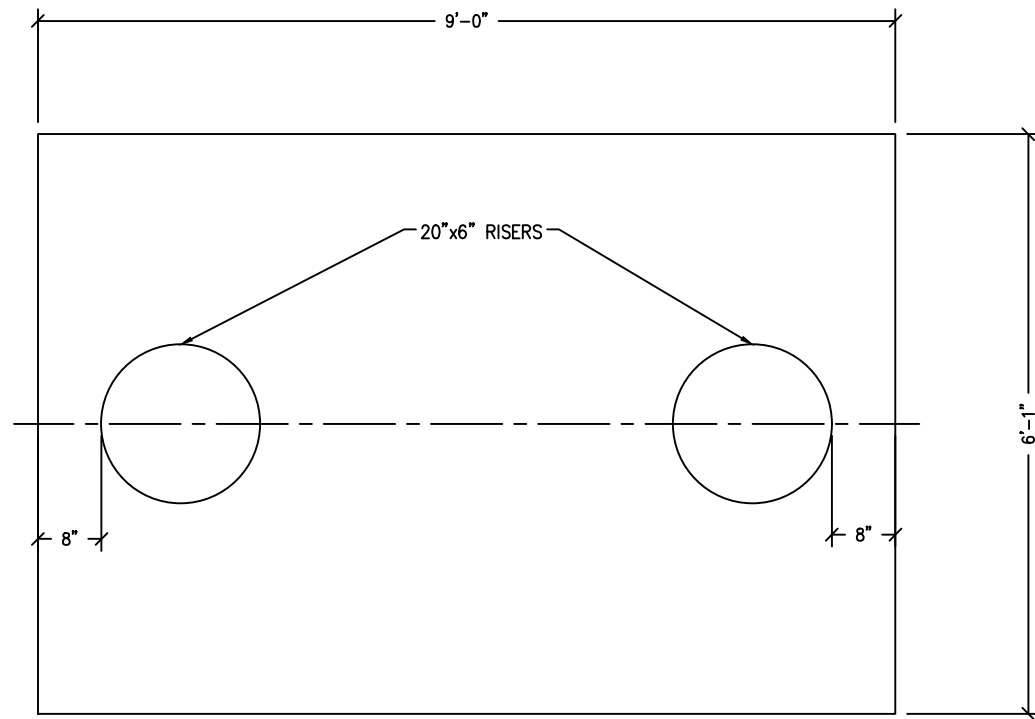
PHONE:
254.296.6115
ADDRESS:
901 N. HWY 77
HILLSBORO, TX 76645

CXT, INC. HILLSBORO

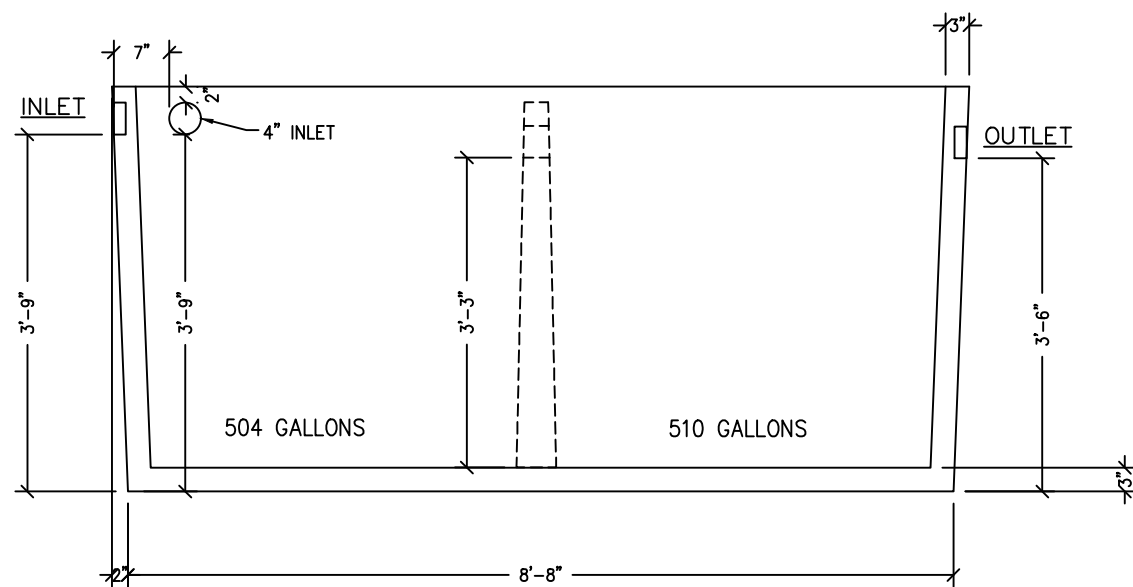
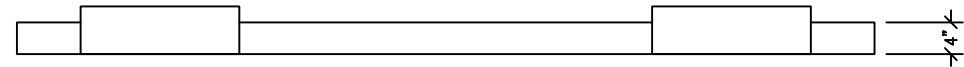
1000-1 CN LID C

DRAWN BY: MR DATE: 9/7/18 CHECKED BY: CHECKED DATE:

DWG. NO.	REV	DESCRIPTION	DATE
OF			
REV BY:	T	ADDED SIDE INLETS	4/11/19



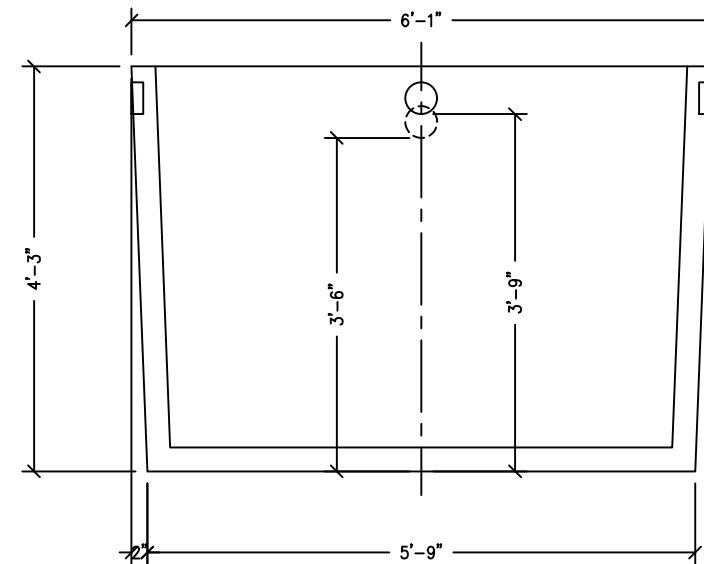
PLAN VIEW



ELEVATION VIEW

NOTES:

1. 28-DAY COMPRESSION STRENGTH = 5000 psi
2. ALL REINFORCING STEEL IS TO BE UNCOATED GRADE 60
3. MINIMUM #3 BAR LAP IS NOT TO BE LESS THAN 1'-6"
4. 4" LID TO BE REINFORCED WITH #4 REBAR



END VIEW

CXT INCORPORATED
CONTROLLED COPY
IF THIS STATEMENT IS NOT PRINTED
IN RED, DOCUMENT MAY NOT BE CURRENT
ISSUED FOR PRODUCTION BY: Michael C. Tolman



Precast Products

6701 E Flamingo Ave Bldg 300 Nampa, ID 83687
901 N. Highway 77 Hillsboro, TX 76645
362 Waverly Road Williamstown, WV 26187

PROJECT TITLE
1000-2C Lid B

NOTICE
The information contained herein is proprietary and the exclusive property of CXT Incorporated. The information may only be used by the original recipient for the purpose intended. Reproduction or distribution of this information is strictly prohibited without the prior written consent of CXT Incorporated. By allowing use of this information, CXT Incorporated grants no warranty, express or implied, including a warranty of merchantability or of fitness for a particular purpose.

CXT Incorporated

REV.	DESCRIPTION	APPROVAL	DATE
SCALE	1/2" = 1'-0"	DATE	5/05/20
DRAWN	MR	FILE NO.	
CHECKED	MCT	PLOT	24

1000-2C Lid B

DWG NO.	SHEET	REV.
1000-2C Lid B	1	1