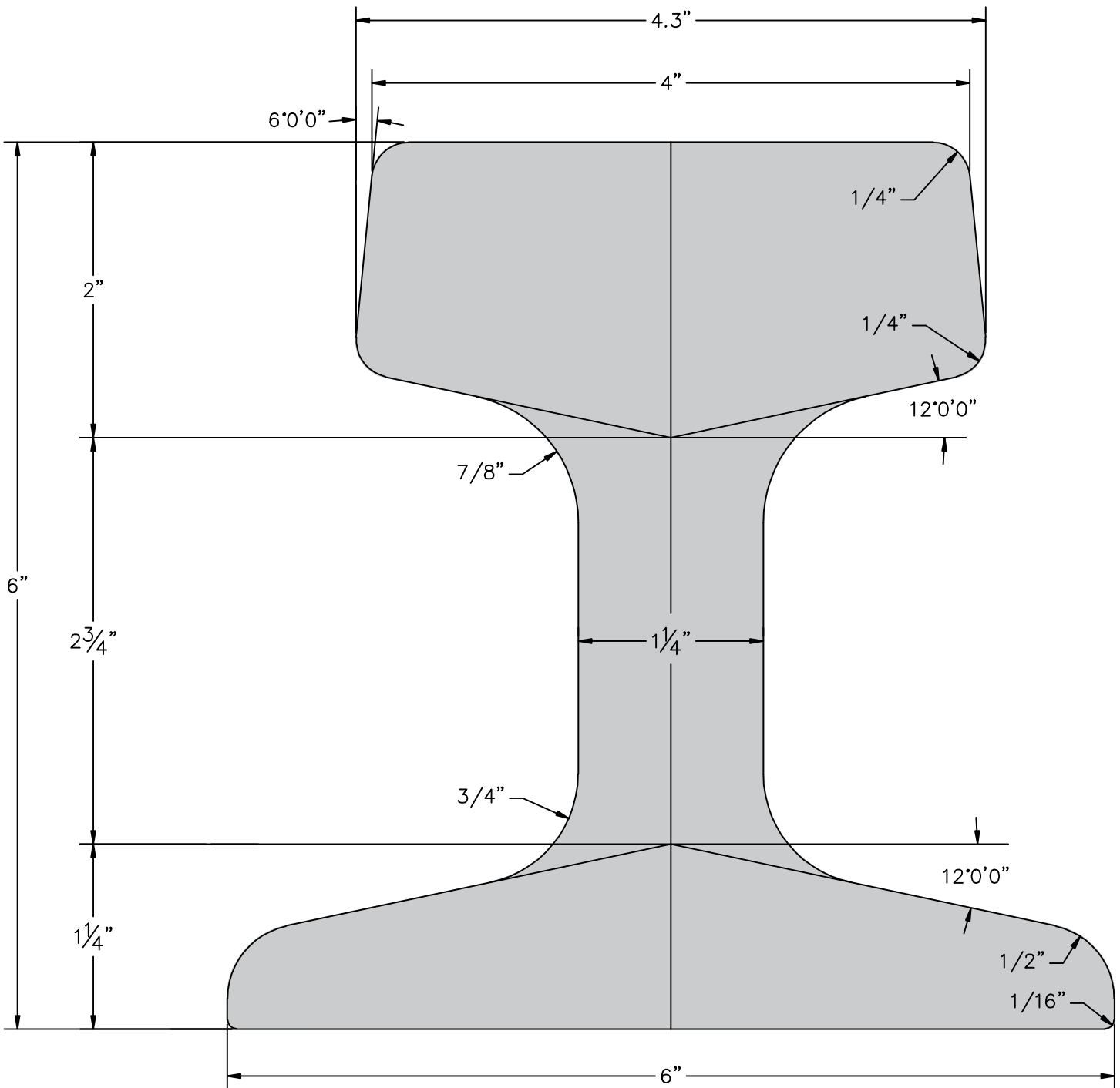


171-lb CRANE RAIL specifications

Scale: Drawing is actual size

LB Foster

Rail Products



SPLICE BAR

RAIL (39 FT, 60 FT, 78 FT)

34" length, 74lbs. per pair. Hex Head Bolts 1-1/8" x 6" and Heavy Hex Nuts — Heat Treated

Area In ²	3.82
Lbs/Ft	13.52
Lbs/Bar	34.7

Area In ²	16.81
Sec. Modulus In ³ Head	24.51
Base	24.42
Mom. Inertia In ⁴	73.40
Lbs/Yd (Nominal)	171.0