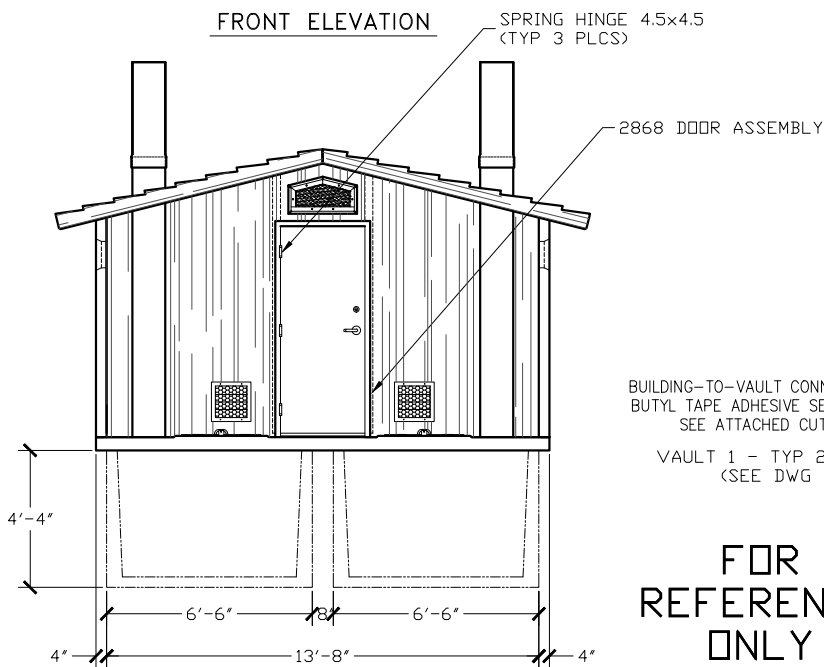


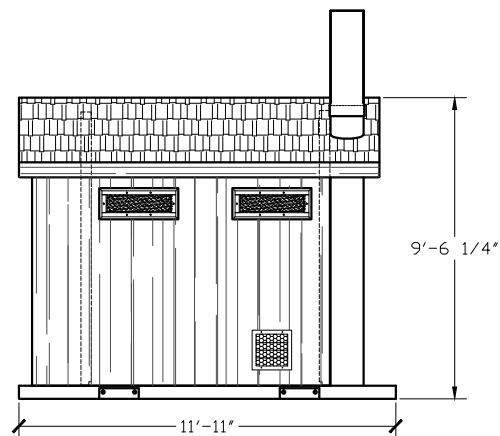
FRONT ELEVATION



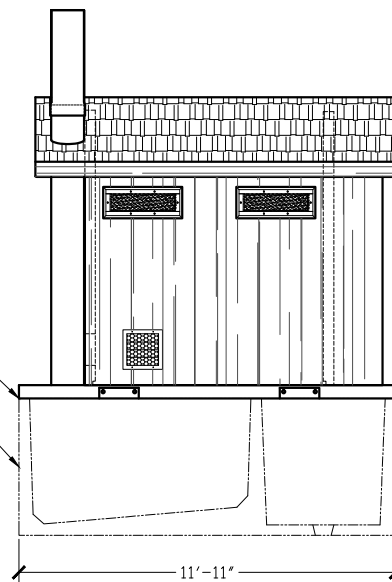
REAR ELEVATION

BUILDING-TO-VAULT CONNECTION:
BUTYL TAPE ADHESIVE SEALANT—
SEE ATTACHED CUT SHEET.
VAULT 1 - TYP 2 PLCS
(SEE DWG #V1-1)

**FOR
REFERENCE
ONLY**



RIGHT SIDE ELEVATION



LEFT SIDE ELEVATION

EMBEDDED MATERIALS			
ITEM	QTY	ITEM	QTY
SI-2	2		
VENT PIPE 12'-0"	2		
3068 DOOR ASSEMBLY	2		
2868 DOOR ASSEMBLY	1		
ANCHOR NAIL 1/4x3/4	12		
SPRING HINGE 4.5x4.5	9		

CU. FT. CONC.	SO. FT. W.W.F.	APPROXIMATE HEIGHT



PROJECT TITLE
TIOGA with CHASE
CXT STANDARD BUILDING

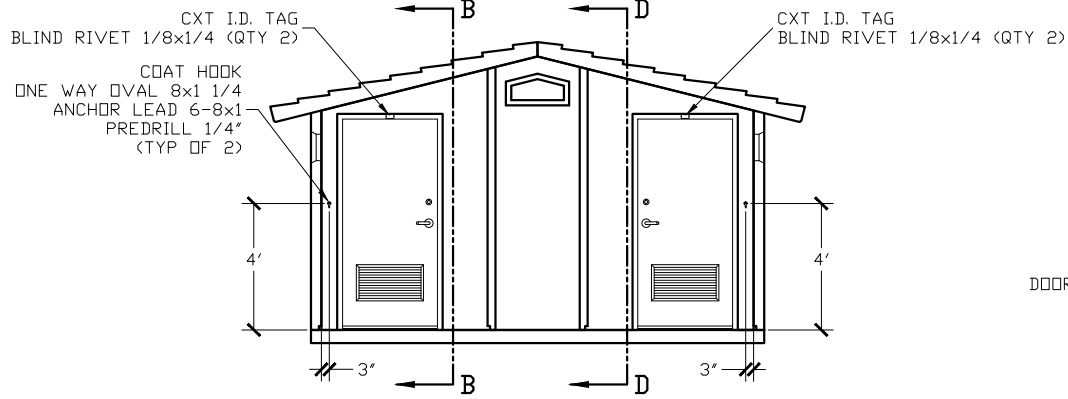
NOTICE
The information contained herein is proprietary and the exclusive property of CXT Incorporated. The information may only be used by the original recipient for the purpose intended. Reproduction or distribution of this information is strictly prohibited without the prior written consent of CXT Incorporated. By allowing use of this information, CXT Incorporated grants no warranty, express or implied, including a warranty of merchantability or of fitness for a particular purpose.

CXT Incorporated			

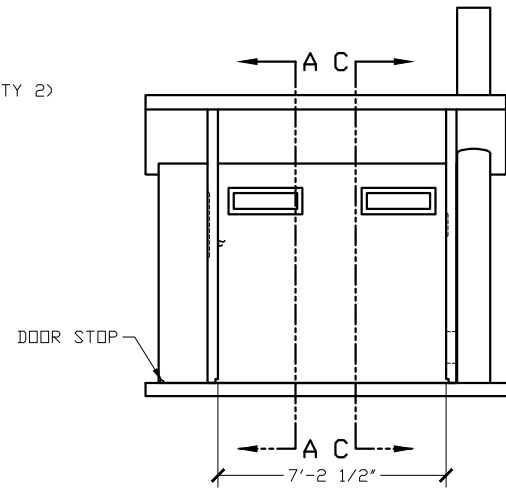
REV.	DESCRIPTION	APPROVAL	DATE
SCALE	1/4"=1'-0"	DATE	07-19-16
DRAWN		FILE NO.	PD-TWC02
CHECKED		PLOT	48

BUILDING ELEVATIONS

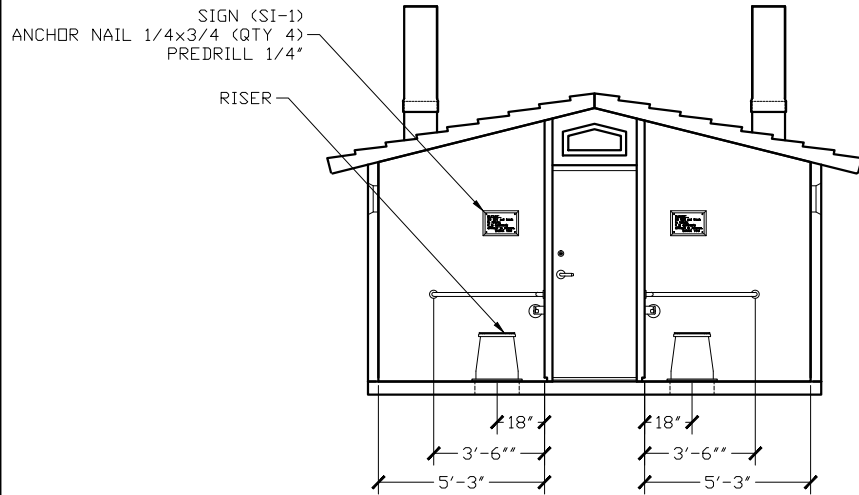
DWG NO.	SHEET	REV.
TWC-02		



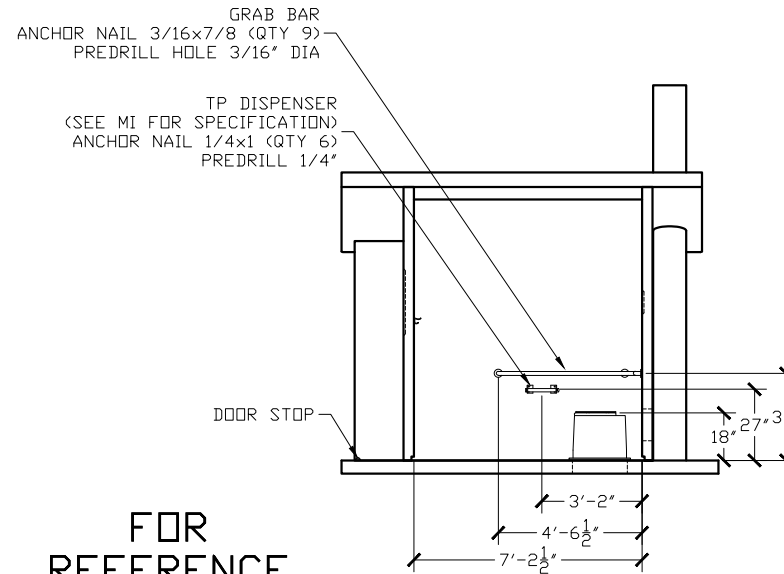
SECTION A - A



SECTION B - B



SECTION C - C



SECTION D - D

FOR
REFERENCE
ONLY

EMBEDDED MATERIALS			
ITEM	QTY	ITEM	QTY
RISER	2	ONE WAY OVAL 8x1 1/4	4
GRAB BAR	2	ANCHOR LEAD 6-8x1	4
TP DISPENSER	2		
TOILET PAPER ROLL	4-6		
COAT HOOK	2		
DOOR STOP	2		
SI-1	2		
BLIND RIVET 1/8x1/4	4		
CXT I.D. TAG	2		
ANCHOR NAIL 1/4x1	12		
ANCHOR NAIL 1/4x3/4	8		
ANCHOR NAIL 3/16x7/8	18		
CU. FT. CONC.		SQ. FT. W.W.F.	APPROXIMATE WEIGHT



PROJECT TITLE
TIOGA with CHASE
CXT STANDARD BUILDING

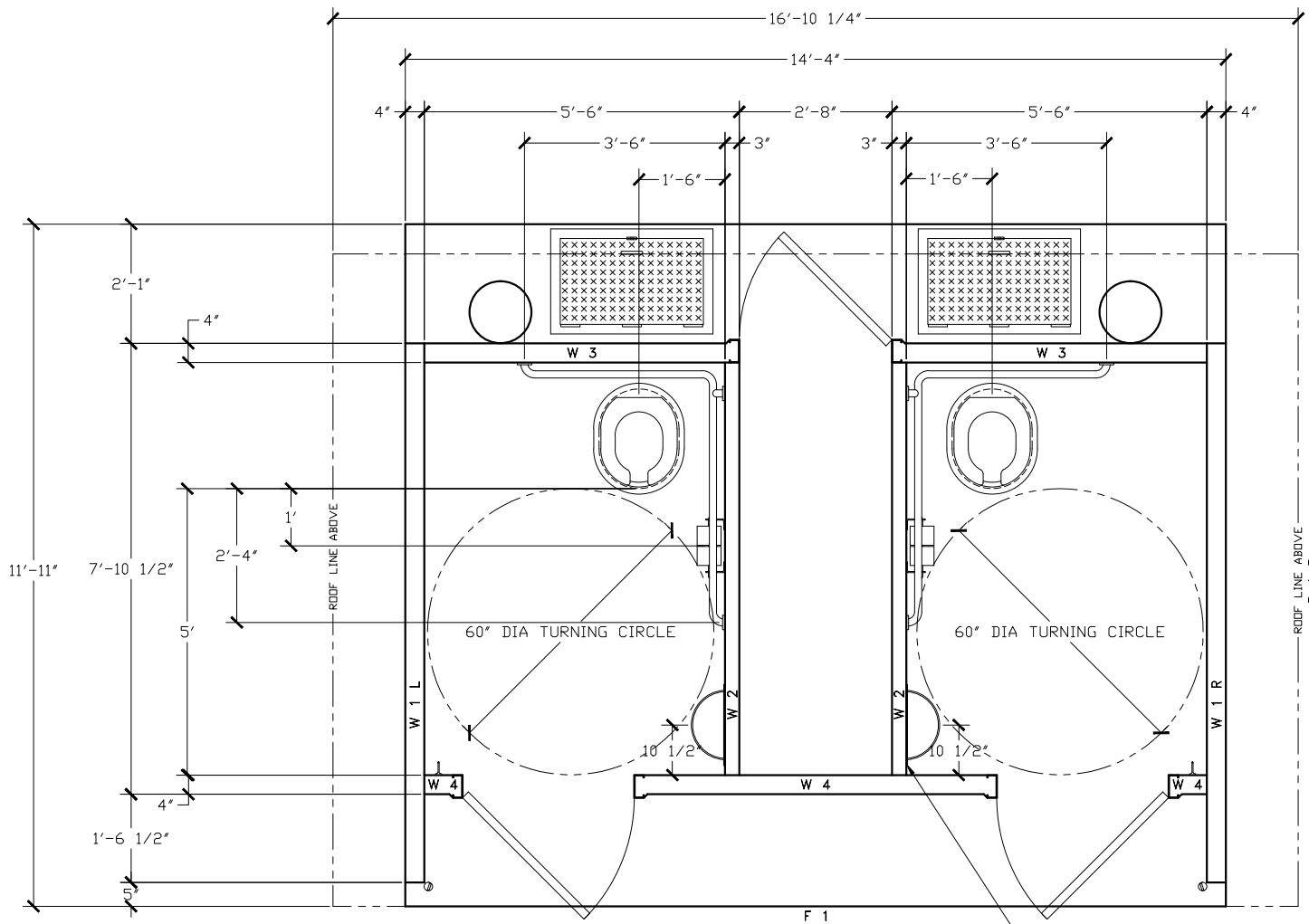
NOTICE
The information contained herein is proprietary and the exclusive property of CXT Incorporated. The information may only be used by the original recipient for the purpose intended. Reproduction or distribution of this information is strictly prohibited without the prior written consent of CXT Incorporated. By allowing use of this information, CXT Incorporated grants no warranty, express or implied, including a warranty of merchantability or of fitness for a particular purpose.

REV.	DESCRIPTION	APPROVAL	DATE
SCALE	1/4"=1'-0"	DATE	07-19-16
DRAWN	FILE NO.	PD-TWC03	
CHECKED	PLOT	48	

REV.	DESCRIPTION	APPROVAL	DATE
SCALE	1/4"=1'-0"	DATE	07-19-16
DRAWN	FILE NO.	PD-TWC03	
CHECKED	PLOT	48	

INTERIOR ELEVATIONS

DWG. NO.	SHEET	REV.
TWC-03		



FOR
REFERENCE
ONLY

OPTIONAL WASTE PAPER BASKET
MOUNT BTM 12" OFF FINISHED FLOOR
(SEE MI)



PROJECT TITLE
TIOGA with CHASE
CXT STANDARD BUILDING

NOTICE

The information contained herein is proprietary and the exclusive property of CXT Incorporated. The information may only be used by the original recipient for the purpose intended. Reproduction or distribution of this information is strictly prohibited without the prior written consent of CXT Incorporated. By allowing use of this information, CXT Incorporated grants no warranty, express or implied, including a warranty of merchantability or of fitness for a particular purpose.

CXT Incorporated

REV.	DESCRIPTION	APPROVAL	DATE
SCALE	1/2"=1'-0"	DATE	07-19-16
DRAWN	FILE NO.	PD-TWC04	
CHECKED	PLOT	24	

FLOOR PLAN

DWG NO.	SHEET	REV.
TWC-04		