

FLOOR PLAN

FOR
REFERENCE
ONLY

3808 N. Sullivan Bldg, #7 Spokane, WA 99216



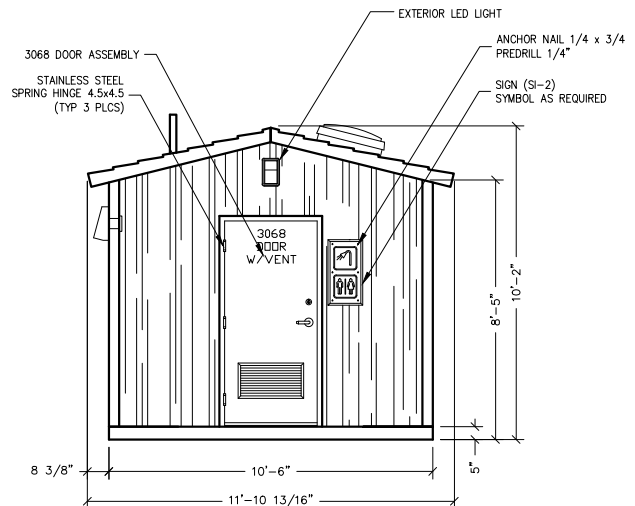
PROJECT TITLE
PIONEER
CXT STANDARD BUILDING

NOTICE
The information contained herein is proprietary and the exclusive property of CXT Incorporated. The information may only be used by the original recipient for the purpose intended. Reproduction or distribution of this information is strictly prohibited without the prior written consent of CXT Incorporated. By allowing use of this information, CXT Incorporated grants no warranty, express or implied, including a warranty of merchantability or of fitness for a particular purpose.
CXT Incorporated

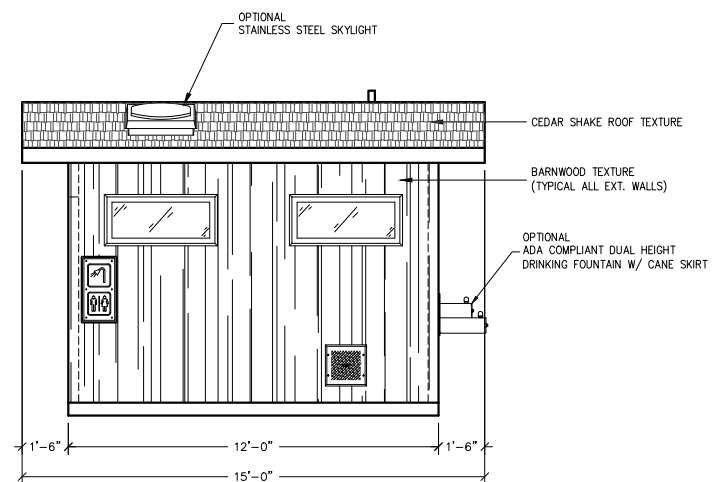
REV.	DESCRIPTION	APPROVAL	DATE
SCALE	3/8"=1'-0"	DATE	04-20-18
DRAWN	FILE NO.	PD-PN03	
CHECKED	PLOT	32	

FLOOR PLAN

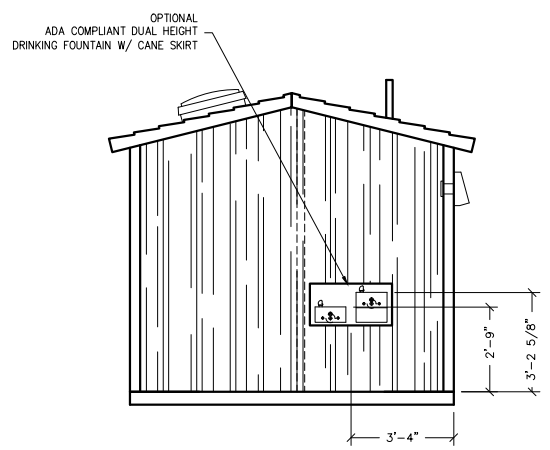
DWG NO.	SHEET	REV.
PN-03		



LEFT SIDE ELEVATION

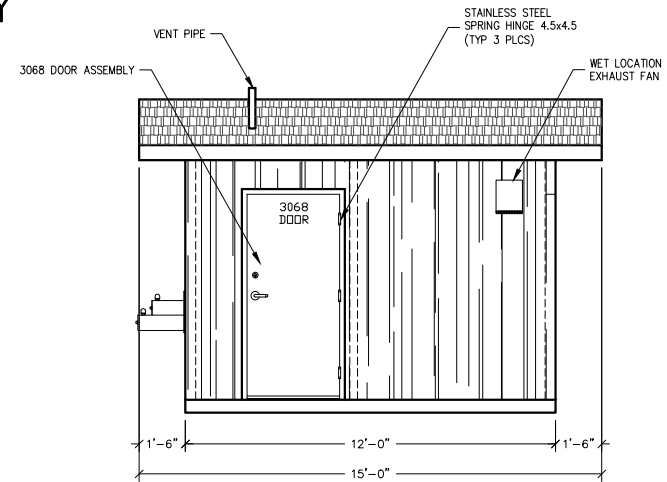


FRONT ELEVATION



RIGHT SIDE ELEVATION

FOR REFERENCE ONLY



BACK ELEVATION

EMBEDDED MATERIALS	
ITEM	QTY
SI-2	2
ANCHOR NAIL 1/4x3/4	12
3068 DOOR ASSEMBLY	2
S.S. SPRING HINGE 4.5x4.5	6

CU. FT. CONC.	SQ. FT. W.W.F.
---------------	----------------

APPROXIMATE WEIGHT

3808 N. Sullivan Bldg. #7 Spokane, WA 99216



PROJECT TITLE
PIONEER
 CXT STANDARD BUILDING

NOTICE

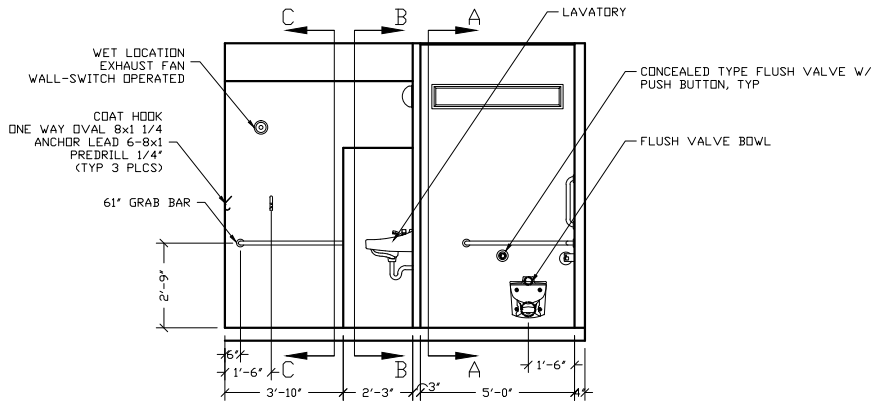
The information contained herein is proprietary and the exclusive property of CXT Incorporated. The information may only be used by the original recipient for the purpose intended. Reproduction or distribution of this information is strictly prohibited without the prior written consent of CXT Incorporated. By allowing use of this information, CXT Incorporated grants no warranty, express or implied, including a warranty of merchantability or of fitness for a particular purpose.

CXT Incorporated

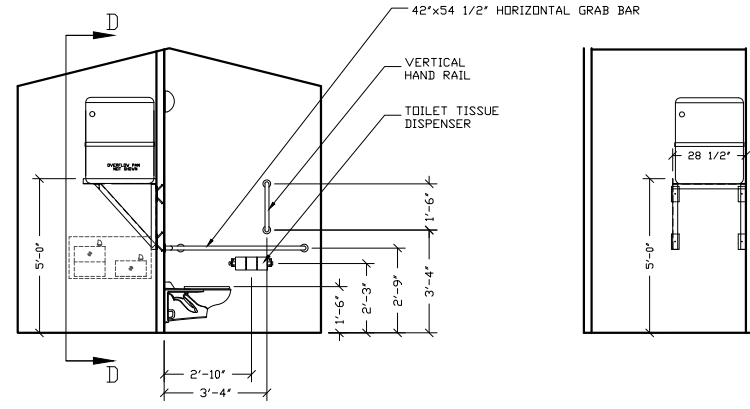
REV.	DESCRIPTION	APPROVAL	DATE
SCALE	1/4"=1'-0"	DATE	04-30-18
DRAWN	FILE NO.	PP-PN04	
CHECKED	PLOT	48	

BUILDING ELEVATIONS

DWG. NO.	SHEET	REV.
PN-04		

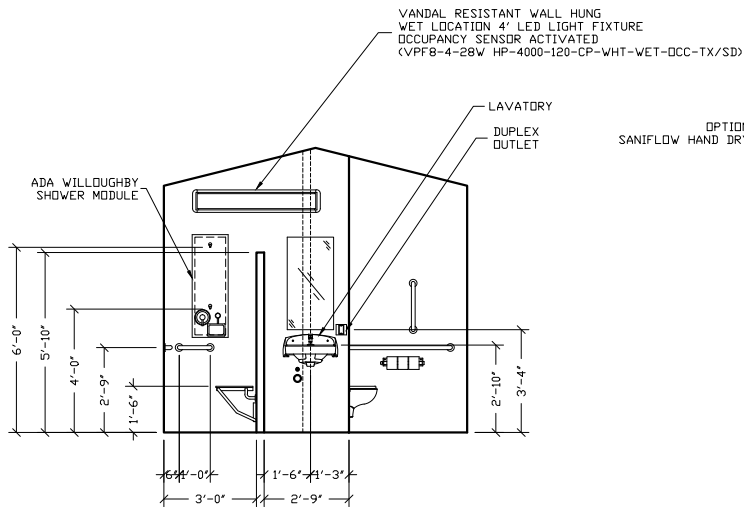


INTERIOR ELEVATION

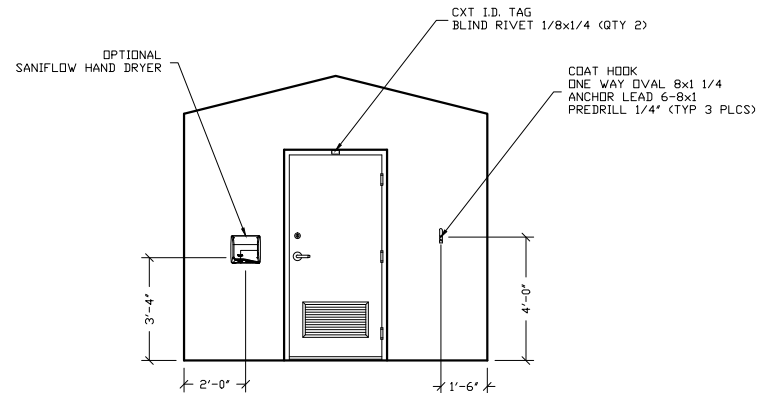


SECTION VIEW A-A

SECTION VIEW D-D



SECTION VIEW B-B



SECTION VIEW C-C

FOR
REFERENCE
ONLY

3808 N. Sullivan Bldg. #7 Spokane, WA 99216

CXT
Precast Products
901 N. Highway 77 Hillsboro, TX 76645

PROJECT FILE
PIONEER
CXT STANDARD BUILDING

NOTICE
The information contained herein is proprietary and the exclusive property of CXT Incorporated. The information may only be used by the original recipient for the purpose intended. Reproduction or distribution of this information is strictly prohibited without the prior written consent of CXT Incorporated. By allowing use of this information, CXT Incorporated grants no warranty, express or implied, including a warranty of merchantability or of fitness for a particular purpose.

REV.	DESCRIPTION	APPROVED	DATE

SCALE	1/4"=1'-0"	DATE	06-30-18
DRAWN	FILE NO.	90-PN05	
CHECKED	PLOT	48	

INTERIOR ELEVATIONS

DWG NO.	SHEET	REV.
PN-05		