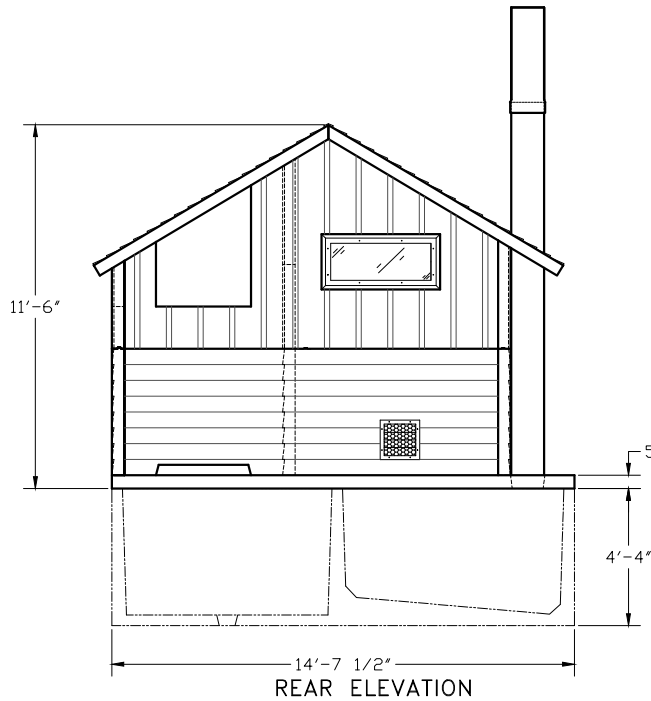
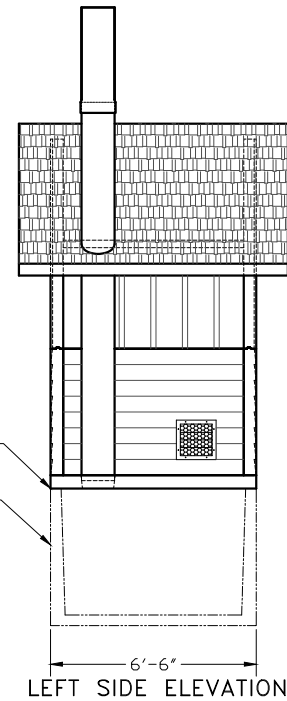


FOR
REFERENCE
ONLY



BUILDING-TO-VAULT CONNECTION:
BUTYL TAPE ADHESIVE SEALANT-
SEE ATTACHED CUT SHEET.

VAULT 2
(SEE DWG #V2-1)



EMBEDDED MATERIALS			
ITEM	QTY	ITEM	QTY
SI-2	2		
VENT PIPE 12'-0"	1		
ANCHOR NAIL 1/4x3/4	12		
VENT PIPE 3'-0"	1		

CU. FT. CONC. SQ. FT. W.W.F. APPROXIMATE WEIGHT



PROJECT TITLE
**CASCADIAN RIGHT HAND
CXT STANDARD BUILDING**

NOTICE

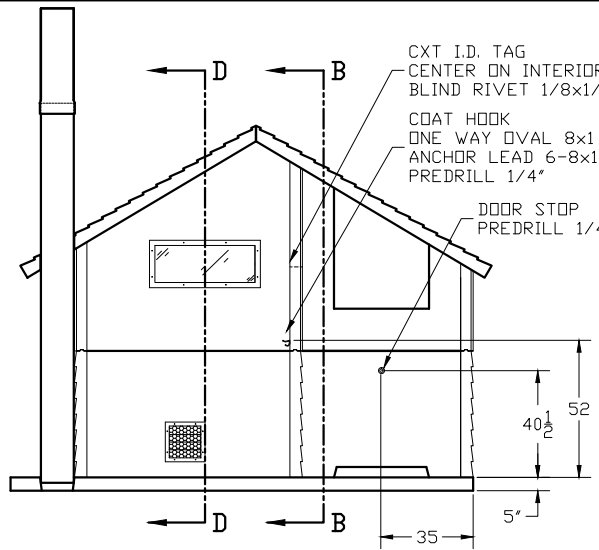
The information contained herein is proprietary and the exclusive property of CXT Incorporated. The information may only be used by the original recipient for the purpose intended. Reproduction or distribution of this information is strictly prohibited without the prior written consent of CXT Incorporated. By allowing use of this information, CXT Incorporated grants no warranty, express or implied, including a warranty of merchantability or of fitness for a particular purpose.

CXT Incorporated

REV.	DESCRIPTION	APPROVAL	DATE
SCALE	1/4"=1'-0"	DATE	07-19-16
DRAWN	FILE NO.	PD-C02	
CHECKED	PLOT	48	

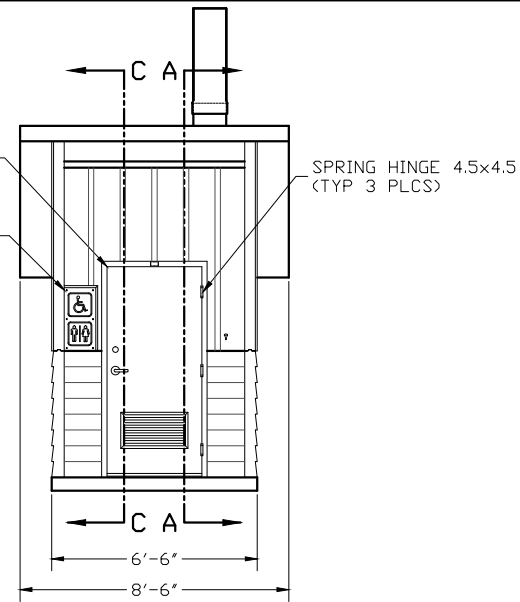
BUILDING ELEVATIONS

DWG NO. C-02	SHEET /	REV. /
------------------------	------------	-----------

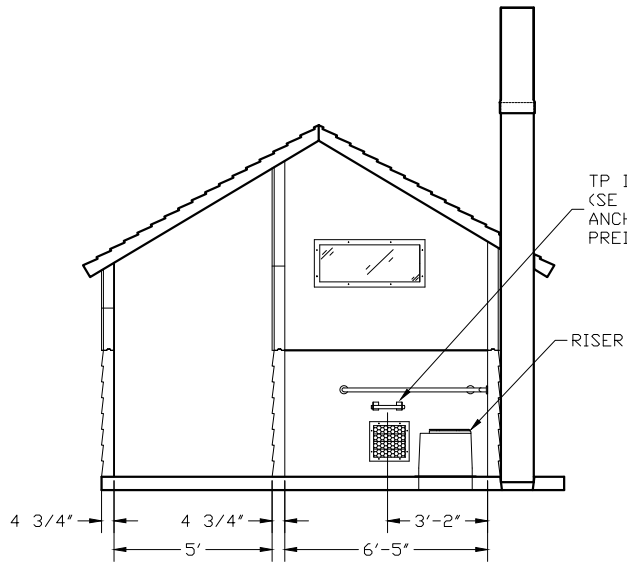


SECTION A - A

FOR
REFERENCE
ONLY



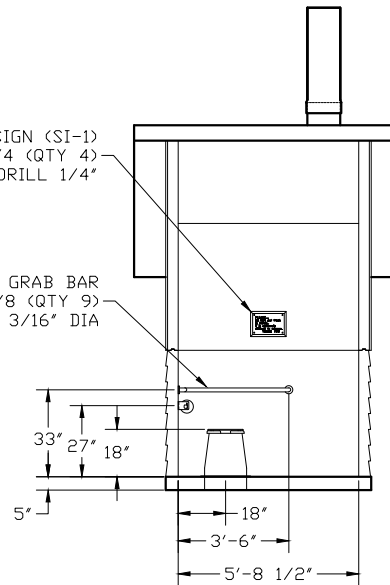
SECTION B - B



SECTION C - C

SIGN (SI-1)
ANCHOR NAIL 1/4x3/4 (QTY 4)
PREDRILL 1/4"

GRAB BAR
ANCHOR NAIL 3/16x7/8 (QTY 9)
PREDRILL HOLE 3/16" DIA



SECTION D - D

EMBEDDED MATERIALS			
ITEM	QTY	ITEM	QTY
RISER	1	ONE WAY OVAL 8x1 1/4	2
GRAB BAR	1	ANCHOR LEAD 6-8x1	2
TP DISPENSER	1	BLIND RIVET 1/8x1/4	2
TOILET PAPER ROLL	2-3	3068 DOOR ASSEMBLY	1
COAT HOOK	1	SPRING HINGE 4.5x4.5	3
DOOR STOP	1		
SI-1	1		
SI-2	1		
CXT I.D. TAG	1		
ANCHOR NAIL 1/4x1	6		
ANCHOR NAIL 1/4x3/4	10		
ANCHOR NAIL 3/16x7/8	9		
CU. FT. CONC.		SQ. FT. W.W.F.	APPROXIMATE WEIGHT



PROJECT TITLE
CASCADIAN RIGHT HAND
CXT STANDARD BUILDING

NOTICE

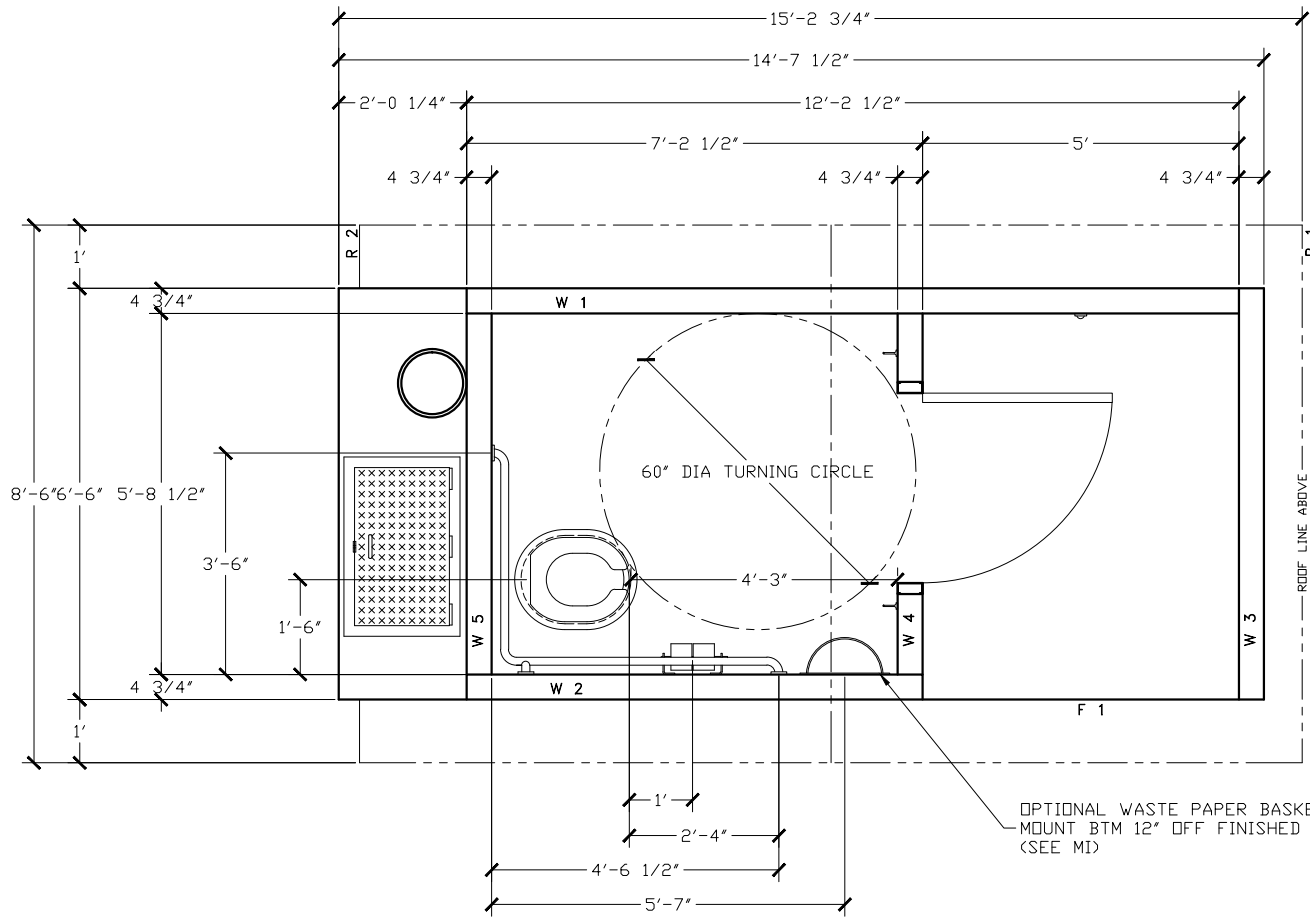
The information contained herein is proprietary and the exclusive property of CXT Incorporated. The information may only be used by the original recipient for the purpose intended. Reproduction or distribution of this information is strictly prohibited without the prior written consent of CXT Incorporated. By allowing use of this information, CXT Incorporated grants no warranty, express or implied, including a warranty of merchantability or of fitness for a particular purpose.

CXT Incorporated

REV.	DESCRIPTION	APPROVAL	DATE
SCALE	1/4"=1'-0"	DATE	07-19-16
DRAWN	FILE NO.	PD-C03	
CHECKED	PLOT	48	

INTERIOR ELEVATIONS

DWG NO.	SHEET	REV.
C-03		



FOR
REFERENCE
ONLY



PROJECT TITLE
CASCADIAN RIGHT HAND
CXT STANDARD BUILDING

NOTICE

The information contained herein is proprietary and the exclusive property of CXT Incorporated. The information may only be used by the original recipient for the purpose intended. Reproduction or distribution of this information is strictly prohibited without the prior written consent of CXT Incorporated. By allowing use of this information, CXT Incorporated grants no warranty, express or implied, including a warranty of merchantability or of fitness for a particular purpose.

CXT Incorporated

REV.	DESCRIPTION	APPROVAL	DATE
SCALE	1/2"=1'-0"	DATE	07-19-16
DRAWN	FILE NO.	PD-C04	
CHECKED	PLOT	24	

FLOOR PLAN

DWG NO.	SHEET	REV.
C-04		