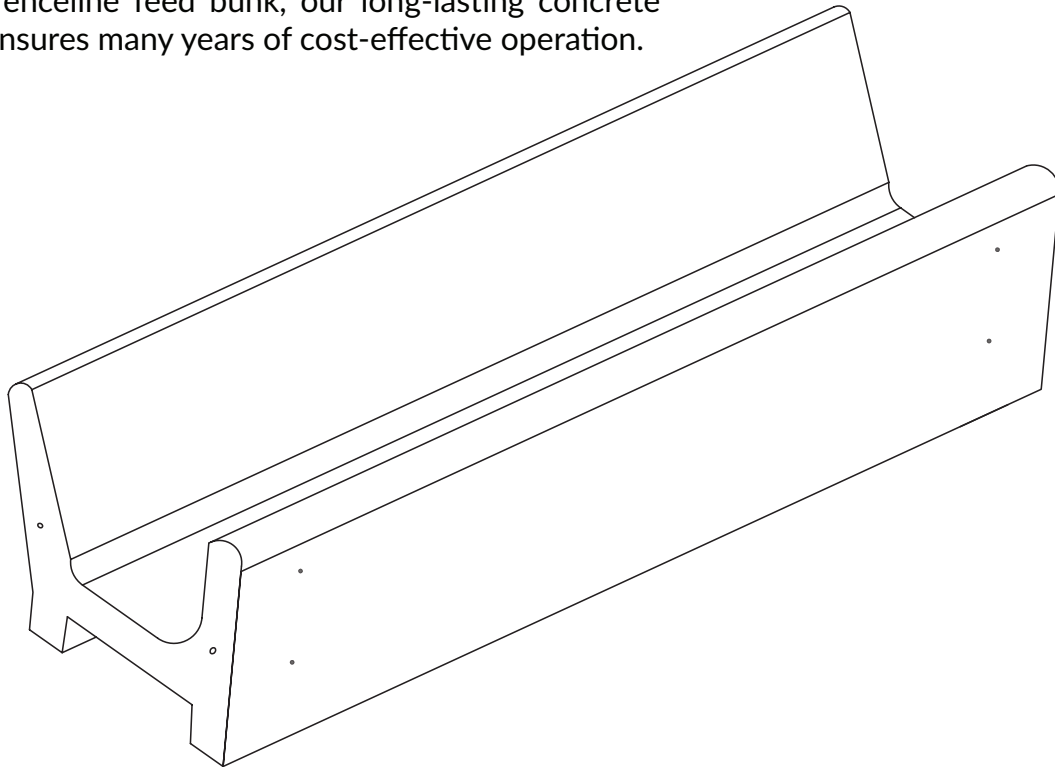


# Precast Concrete Feed Bunks

*the worry-free choice for feeding livestock*

The durability of precast concrete feed bunks provides lower annual cost than other materials. Whether you choose the centerline or fenceline feed bunk, our long-lasting concrete construction ensures many years of cost-effective operation.



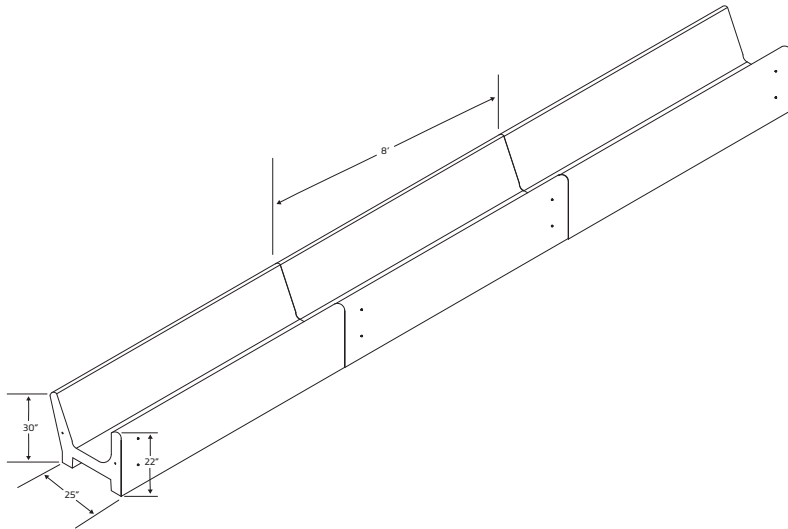
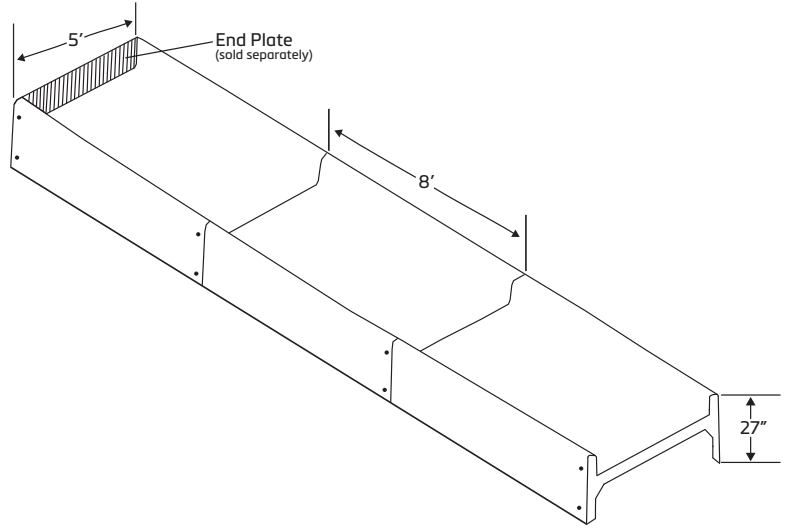
- > Protects livestock from injury  
Our precast feed bunks feature smooth, rounded corners and edges, and a hard-finished surface that reduces the possibility of injury.
- > Thorough feed cleanup  
The all-contour design and finished surface lets your livestock feed with minimal effort, ensuring healthier, more productive animals. Reduced spoilage and easy cleanup can provide savings in time, labor, and cost.
- > Strong and durable  
Our steel-reinforced precast concrete will provide many years of service without decay, rot or rust.
- > Easy to install and movable  
Minimal installation requirements allow for easy relocation. Mounting restraints or attaching fencing is made easy by cast-in-place inserts provided on the front of the feed bunk. Additional sections, automatic equipment, and roof supports can also be added.

# DATASHEET

FEED BUNKS the worry-free choice for feeding livestock

## Centerline

- > 4" post holes on inside of bunk or no holes and 1/2" standard bolt inserts on outside for mounting fencing.
- > Reinforced with 100' of 3/8" steel.
- > Concrete end plates available.
- > 5000 psi concrete with smooth aggregate.



## Fenceline

- > Cast in place bolt inserts for fence mounting.
- > Reinforced with 70' of 3/8" steel.
- > 5000 psi concrete with smooth aggregate.

## Specifications

	<i>Fenceline</i>		<i>Centerline</i>
Length	8'	Length	8'
Width	2' 1" up to 2' 11"	Outside Width	5'
Weight	2350 lb	Weight	3500 lb