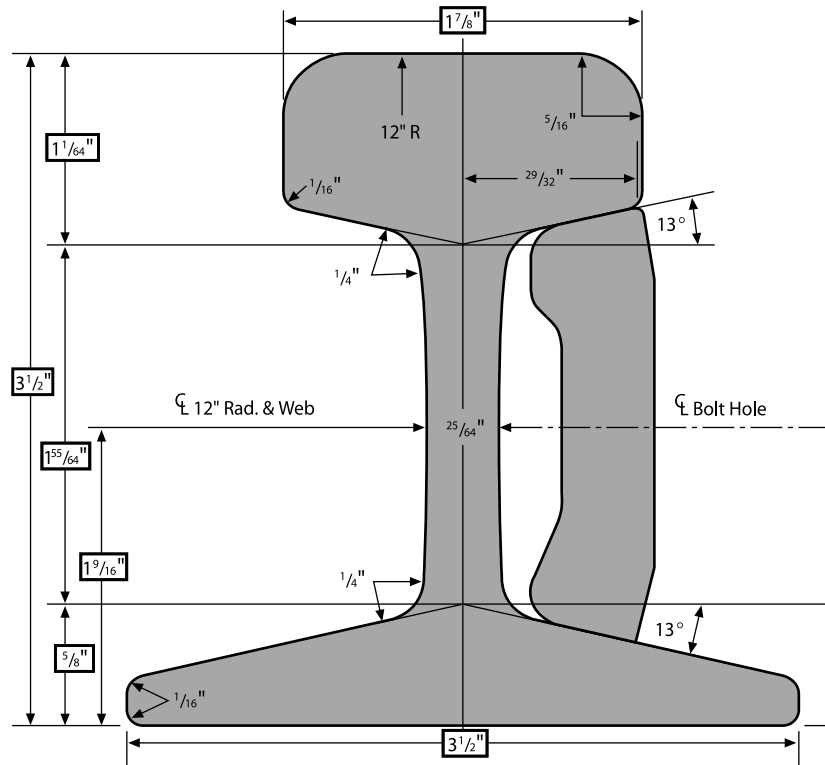


40-lb A.S.C.E. specifications

Scale: Drawing is actual size



SPLICE BAR

20-1/8" length, 8.7 lbs. per pair, 3/4" x 3-1/4" button head, oval neck track bolt with heavy square nut.

	30 FT	40 FT
LBS/FT (Nominal)	4.83	4.83
Pairs		
Net Ton	5.0	3.8
Mile of Track	352.0	264.0

RAIL (30 FT, 40 FT)

Area In ²	3.94
Sec. Modulus In ³ Head	3.59
Mom. Inertia In ⁴	6.54
Lbs/Yd (Nominal)	40.0
Track Feet/Net Ton	75.0
Net Tons/Track Mile	70.4