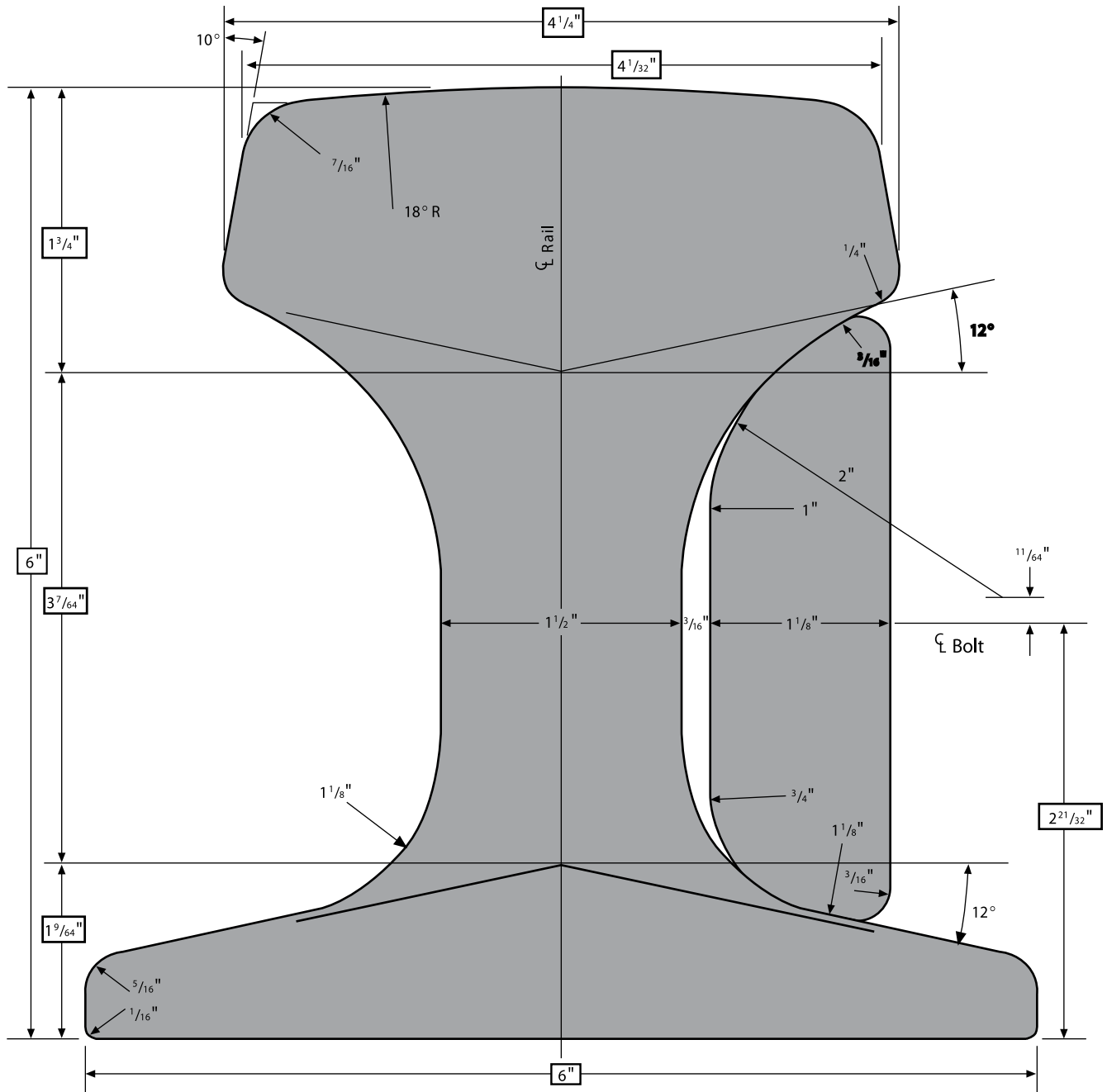


175-lb CRANE RAIL specifications

Scale: Drawing is actual size



SPLICE BAR **RAIL (39 FT, 60 FT, 78 FT)**

34" length, 72 lbs. per pair. Hex Head Bolts 1-1/8" x 6" and Heavy Hex Nuts — Heat Treated

Area In ²	3.82
Lbs/Ft	13.00
Lbs/Bar	34.7

Area In ²	17.12
Sec. Modulus In ³ Head	23.53
Base	23.28
Mom. Inertia In ⁴	70.22
Lbs/Yd (Nominal)	175.0