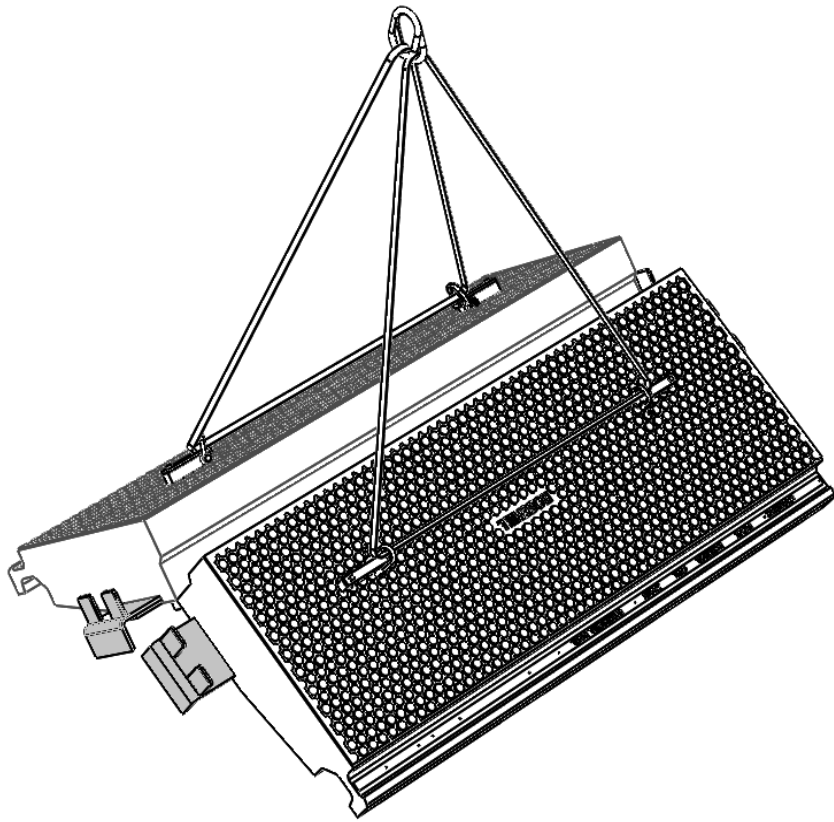


Baseplated Crossing System

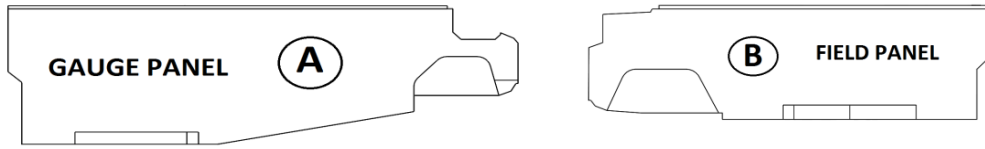


Installation Guide

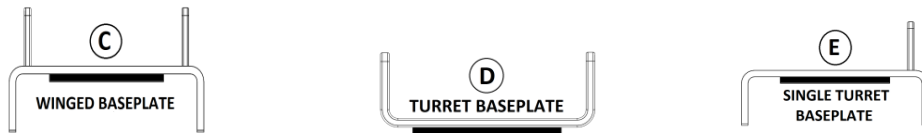


BASEPLATE COMPONENTS LIST.

PANELS



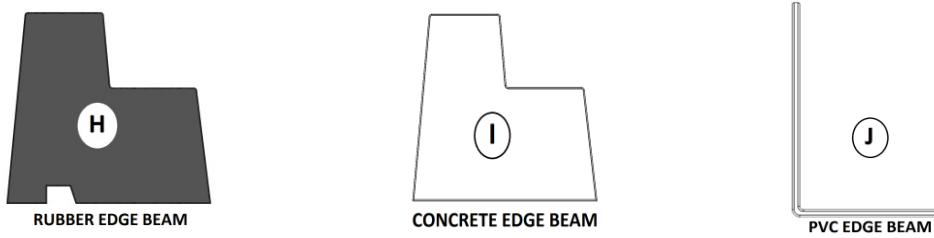
BASEPLATES



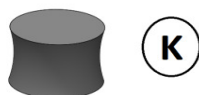
CHAIN GUARDS



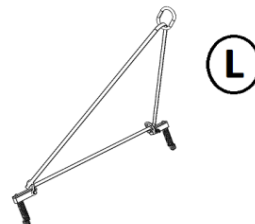
EDGE BEAMS



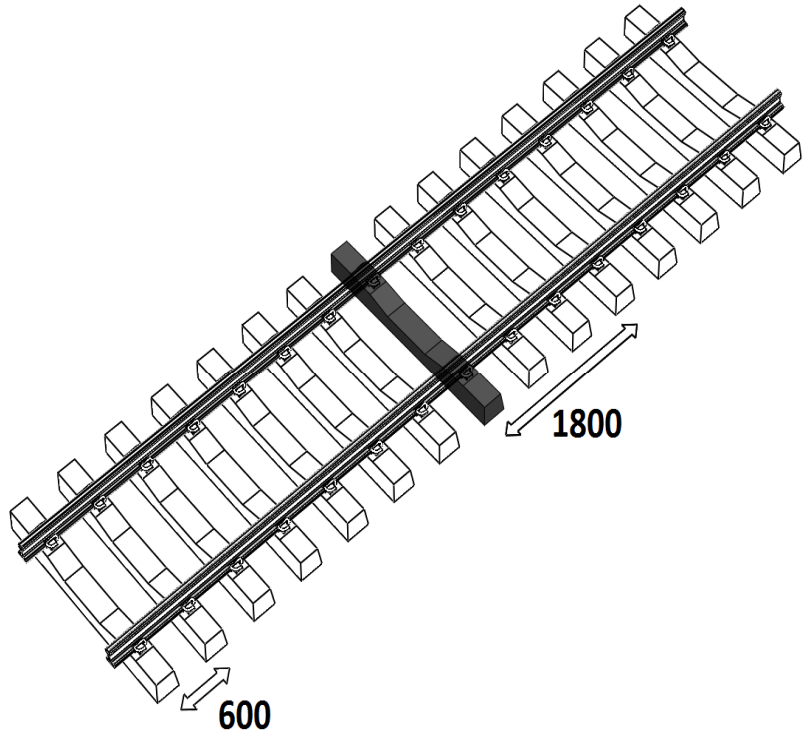
RUBBER PLUG



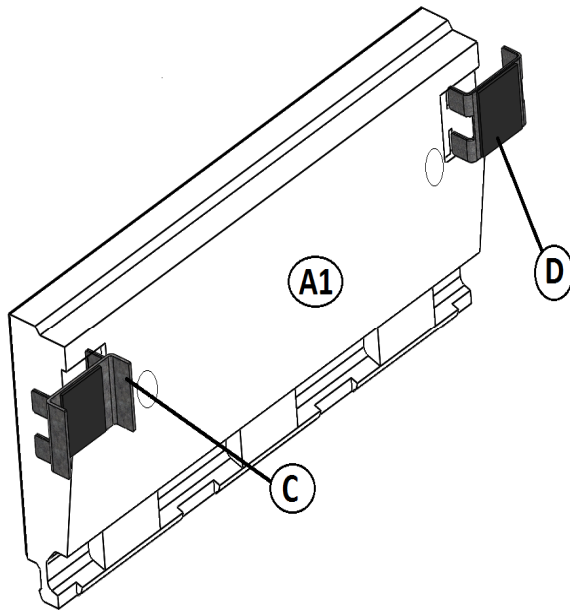
ROSEHILL LIFTING PIN KIT



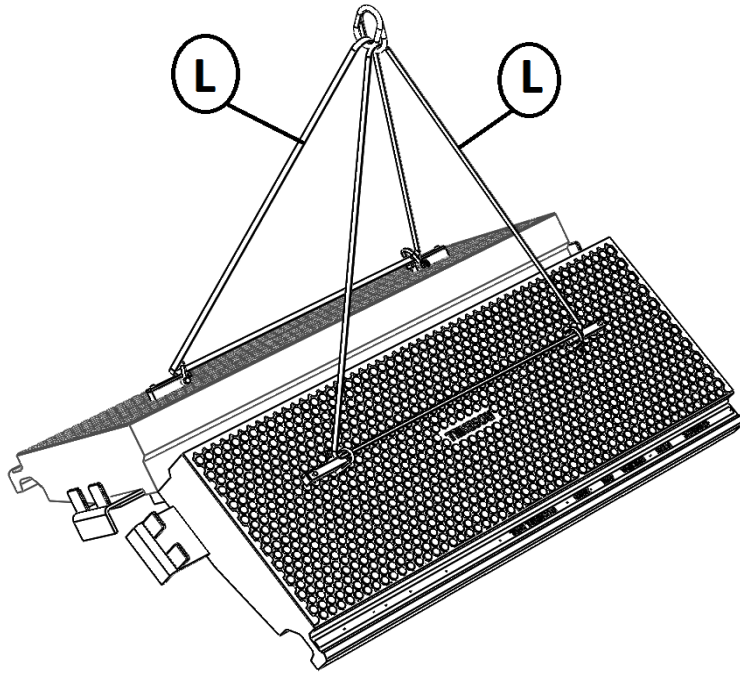
1



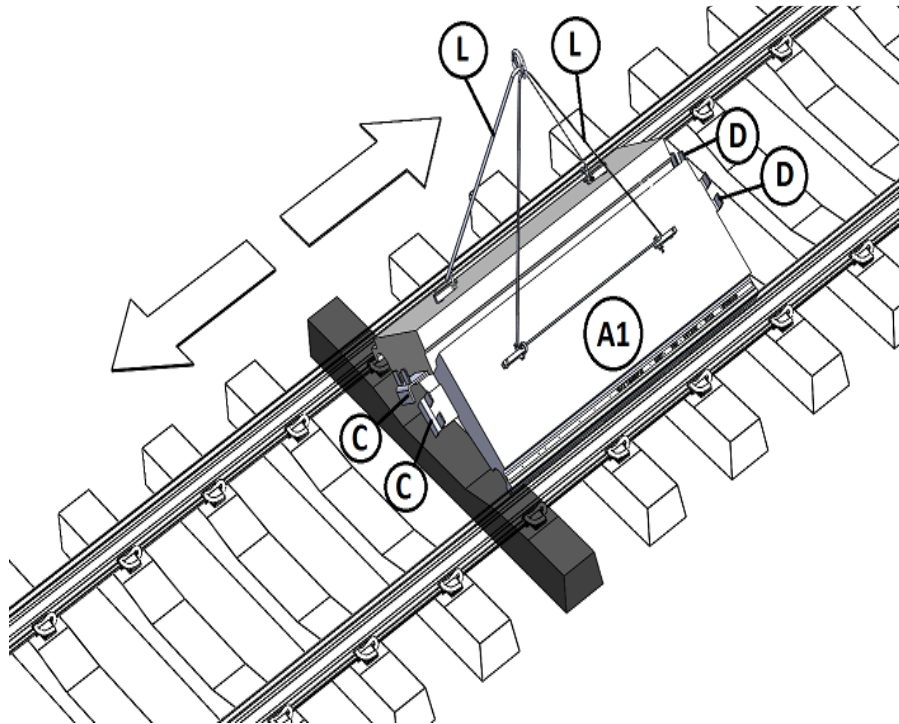
2



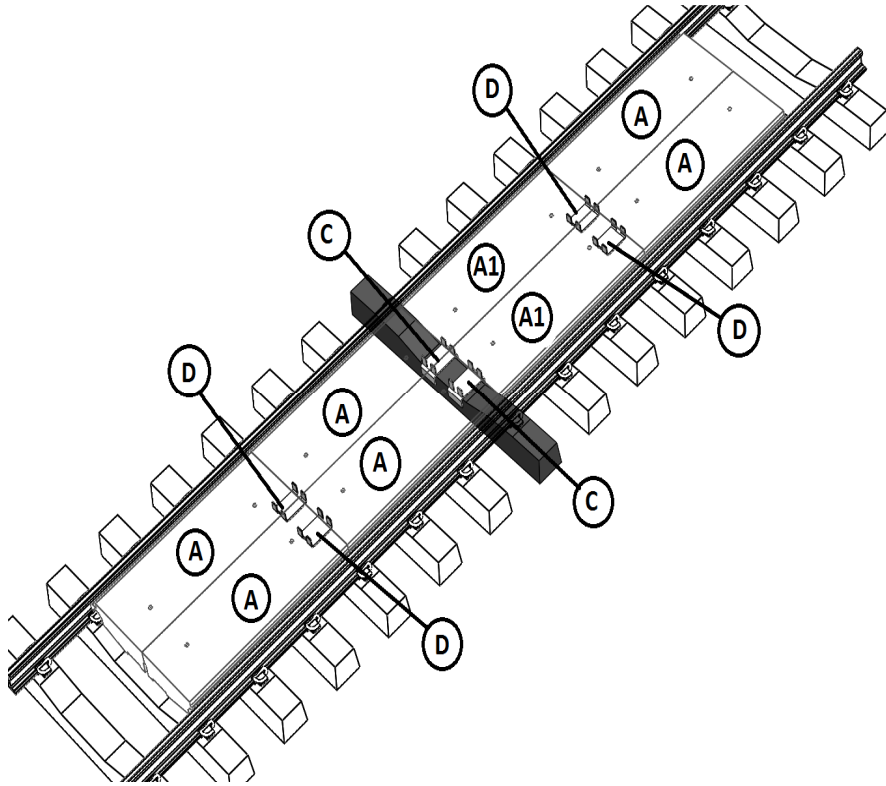
3



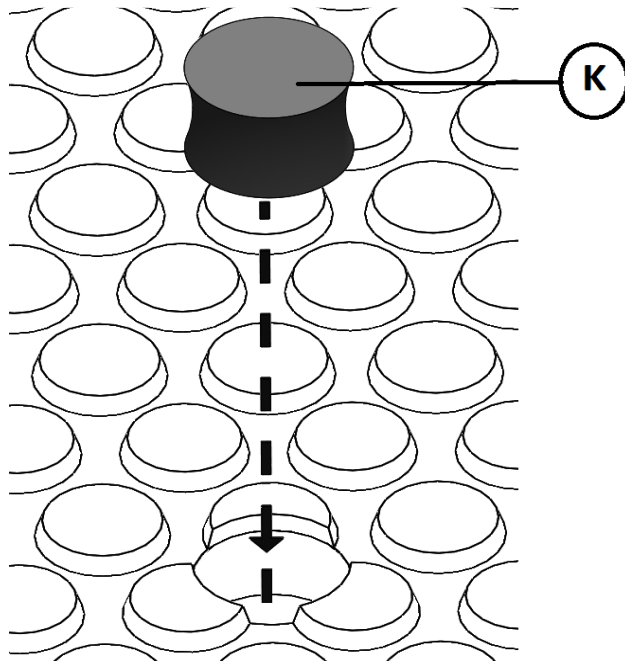
4



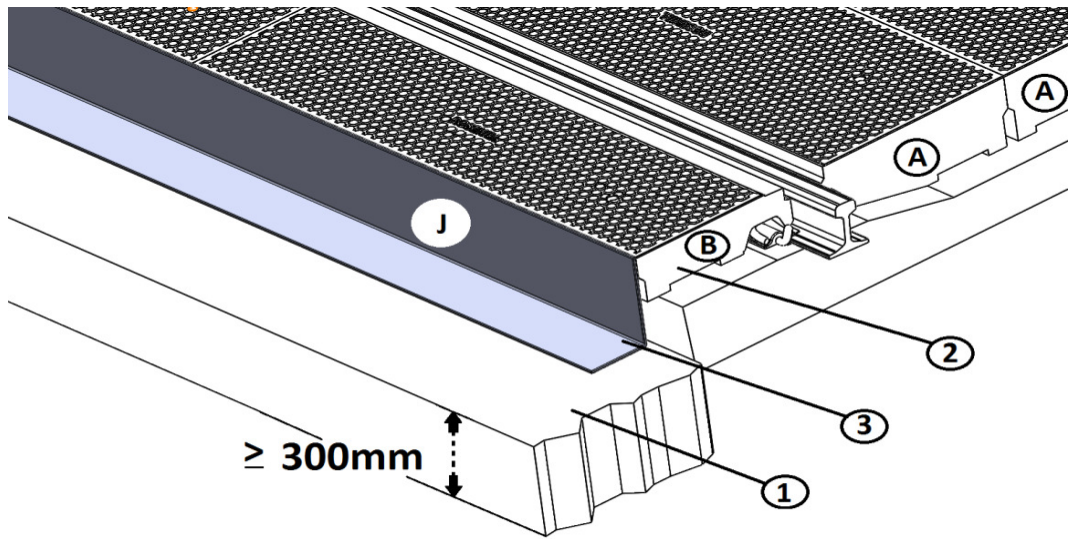
5



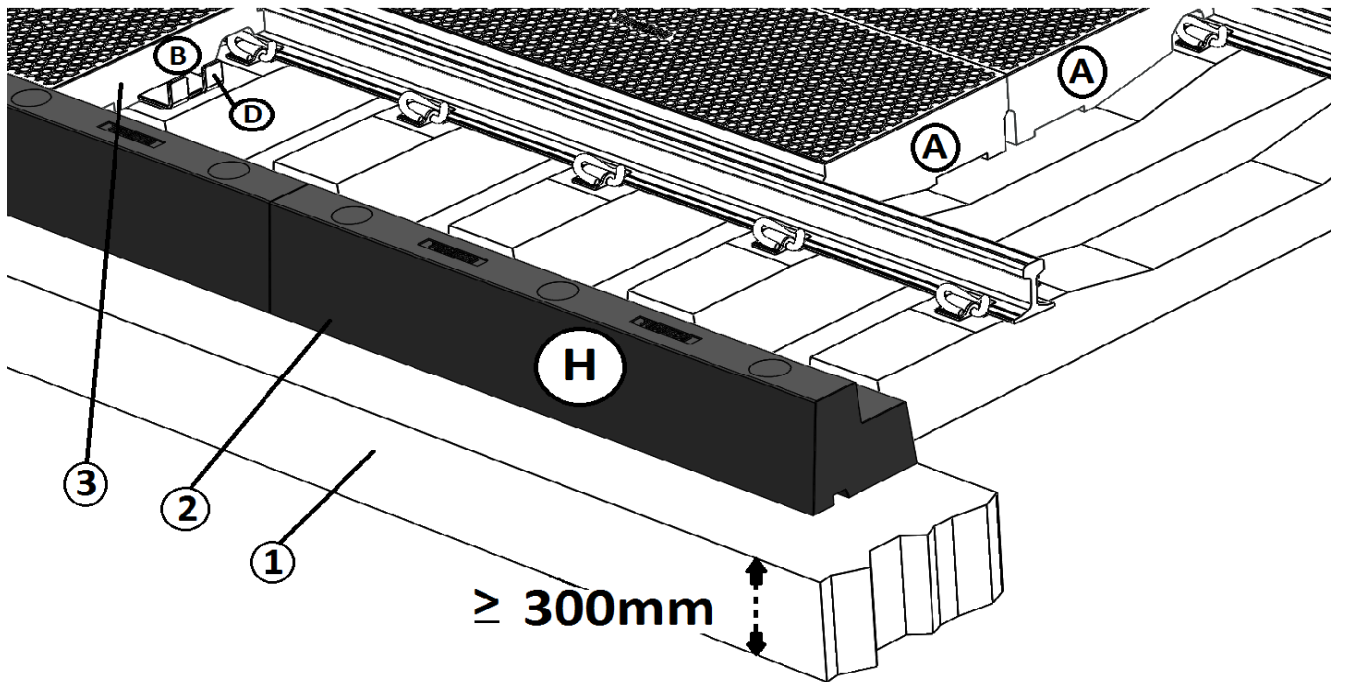
6



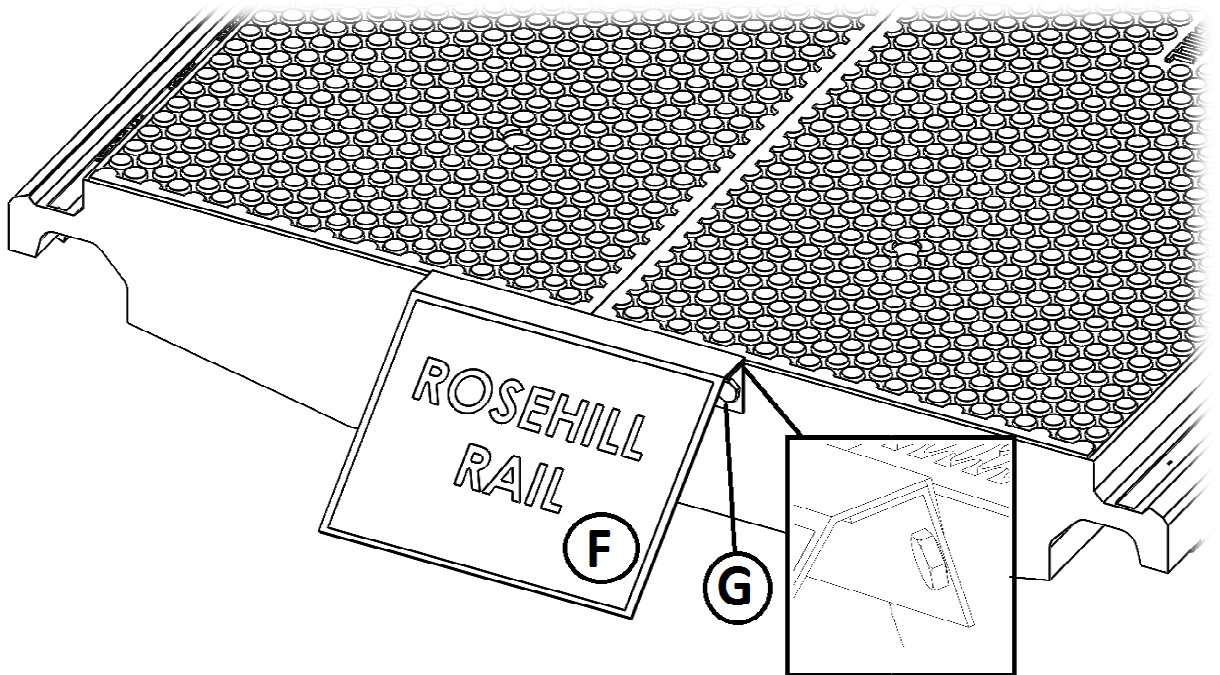
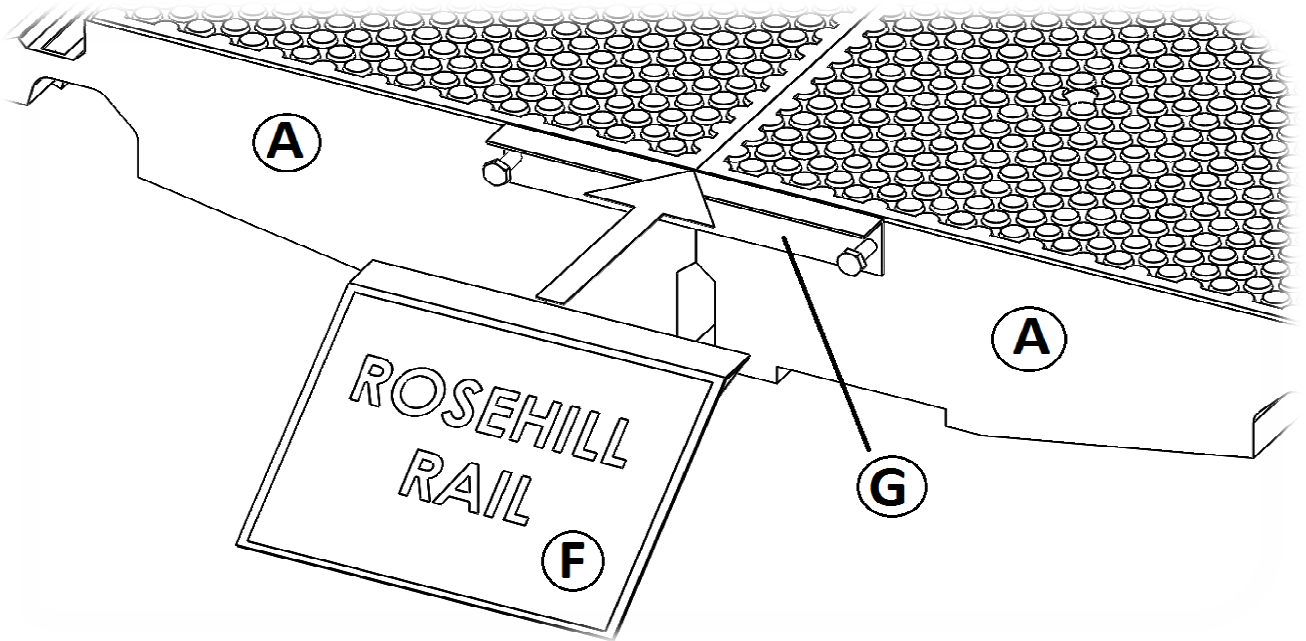
7A

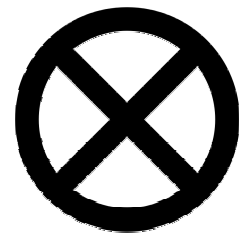
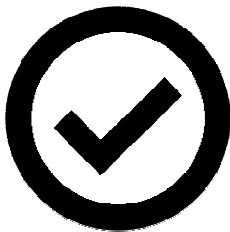
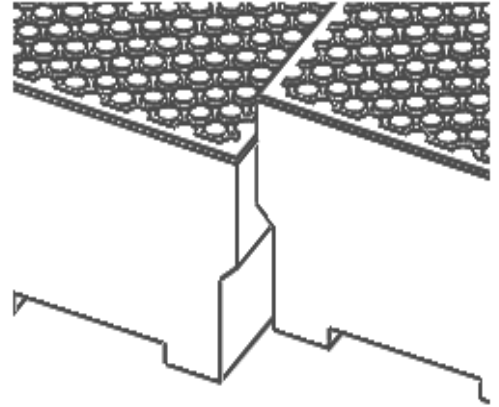
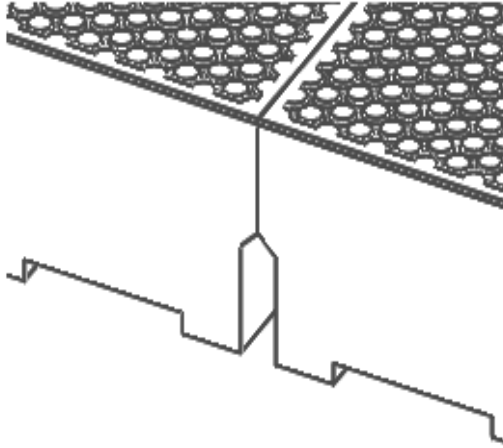


7B



8





Tel.+44 (0)1422 839610

E-mail. sales@rosehillrail.com